



PARTS CATALOGUE

YFM35RW (5YTN) U.S.A.

YFM35RW (5YTP) CANADA

YFM35RW (5YTR) EUROPE

YFM35RW (5YTN) OCEANIA

FOREWORD

This Parts Catalogue is related to the parts for the model(s) on the cover page. When you are ordering replacement parts, please refer to this Parts Catalogue and quote both part numbers and part names correctly.

1. Modifications or additions which have been made after the issue of the Parts Catalogue will be announced in the Parts News.
It is advisable that you make the necessary corrections to the Parts Catalogue according to the Parts News.

2. Abbreviations

The following abbreviations are used in this Parts Catalogue.

“UR” Use specified parts number.

“UN” Use as many as needed.

“AP” Alternate Parts

“LM” Locally Made (Parts need to be ordered locally)

“F#” Frame No. (Applicable machine No.)

“O/S” Over Size

3. The number of components for assembly

- Parts, which are to be supplied in an assembly, are listed with a dot (.) in front of the part name as shown below.
- The numeral appearing to the right of each component part indicates the quantity of parts for each assembly unit.

PART NO.	DESCRIPTION	Q'TY	REMARKS
2F5-83310-60	FRONT FLASHER LIGHT ASSY	2	
115-83311-60	.BULB (6V-18W)	1	

4. Applicable colours of graphics are represented in the “REMARKS” as shown below.

PART NO.	DESCRIPTION	Q'TY	REMARKS
2N4-24110-00-X5	FUEL TANK COMP.	2	MXR
3J1-24240-10	.GRAPHIC, FUEL TANK	1	FOR MXR

5. Note that the illustrations for reference in finding parts numbers are not to be used for assembling. When assembling, please use the applicable service manual.

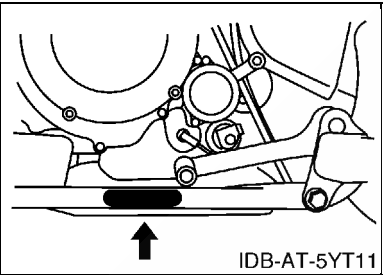
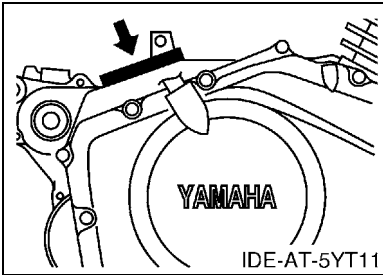
6. The asterisk (*) before a reference number indicates modified items after the first edition.

FOREWORD

7. Applicable Serial No.

Engine Serial No.

Frame Serial No.



8. Applicable Colour Code (The (*) mark shows Model colour.)

Abbreviation	Colour Name	Colour Code
BWS1(*)	BLUISH WHITE SOLID 1	0892
LGB	LOW GLOSS BLACK	0098

9. Quantity Column Information

Column No.	Name Of Q'ty Column	Destination
1	USA	U.S.A.
2	CAN	CANADA
3	EUR	EUROPE
4	OCE	OCEANIA

CONTENTS

ENGINE

CYLINDER HEAD	B2
CYLINDER	B3
CRANKSHAFT & PISTON	B4
VALVE	B6
CAMSHAFT & CHAIN	B7
OIL PUMP	B8
INTAKE	B9
CARBURETOR	B10
EXHAUST	B12
CRANKCASE	B13
CRANKCASE COVER 1	B14
STARTER CLUTCH	C2
CLUTCH	C3
TRANSMISSION	C5
SHIFT CAM & FORK	C7

CHASSIS

FRAME	C9
FRONT FENDER	C11
REAR FENDER	C12
SIDE COVER	C14
REAR ARM	C15
REAR SUSPENSION	D3
STEERING	D4
FRONT SUSPENSION & WHEEL	D5
FUEL TANK	D7
SEAT	D8
FRONT WHEEL	D9
FRONT BRAKE CALIPER	D10
REAR WHEEL	D11
REAR BRAKE	D13
STEERING HANDLE & CABLE	D14
FRONT MASTER CYLINDER	E2
STAND & FOOTREST	E3
REAR MASTER CYLINDER	E4
GUARD	E6
GENERATOR	E7
STARTING MOTOR	E8
HEADLIGHT	E9
TAILLIGHT	E10
TAILLIGHT 2	E11

HANDLE SWITCH & LEVER	E12
ELECTRICAL 1	E13
ELECTRICAL 2	E15
EMBLEM & LABEL 1	F2
EMBLEM & LABEL 2	F3
EMBLEM & LABEL 3	F4
EMBLEM & LABEL 4	F5

INDEX

NUMERICAL INDEX	M1
-----------------------	----

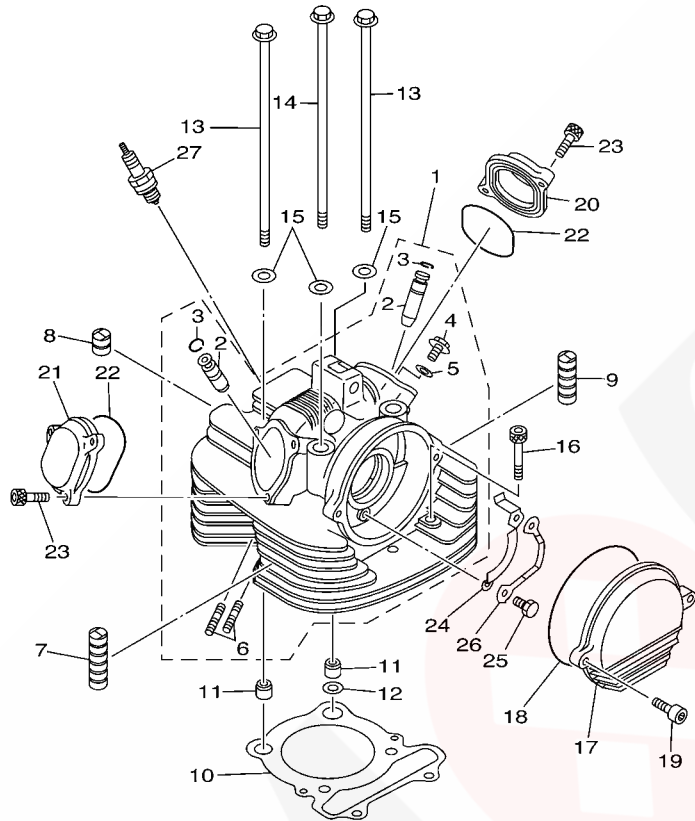


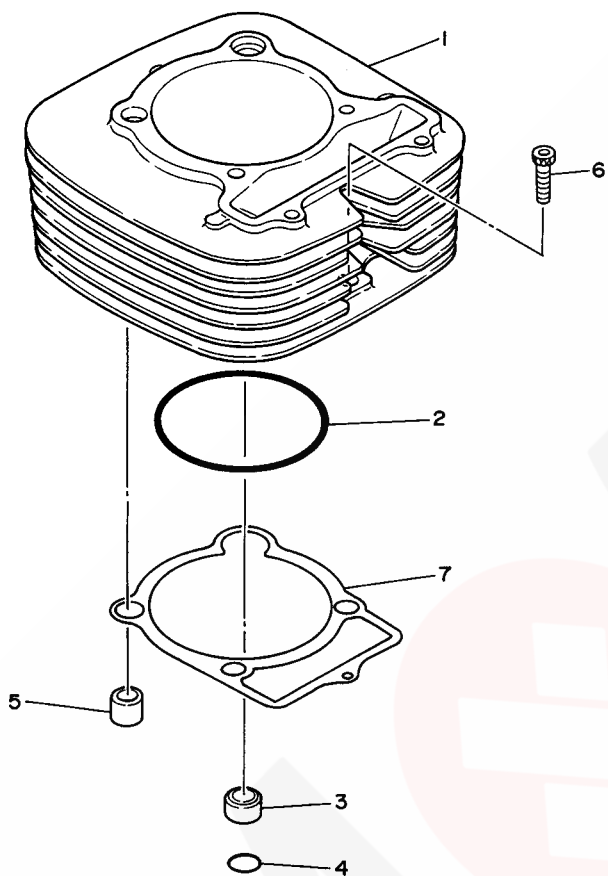
FIG. 1 CYLINDER HEAD

REF. NO.	PART NO.	DESCRIPTION	USA	CAN	EUR	OCE	REMARKS
1	5YT-11101-10	CYLINDER HEAD ASSY	1	1	1	1	
2	3Y1-11133-11	.GUIDE, VALVE 1	2	2	2	2	
3	93440-12052	.CIRCLIP	2	2	2	2	
4	90401-06001	.BOLT, UNION	1	1	1	1	
5	90430-06192	.GASKET	1	1	1	1	
6	90116-06503	.BOLT, STUD	2	2	2	2	
7	3Y1-11127-00	ABSORBER 3	8	8	8	8	
8	31G-11161-00	ABSORBER 1	2	2	2	2	
9	31G-11127-00	ABSORBER 3	2	2	2	2	
10	1UY-11181-01	GASKET, CYLINDER HEAD 1	1	1	1	1	
11	99530-14016	PIN, DOWEL	2	2	2	2	
12	90430-14240	GASKET	1	1	1	1	
13	90105-10421	BOLT, FLANGE	2	2	2	2	
14	90105-10422	BOLT, FLANGE	2	2	2	2	
15	90201-10128	WASHER, PLATE	4	4	4	4	
16	91317-08050	BOLT, HEX. SOCKET HEAD	2	2	2	2	
17	5NF-11185-00	COVER, CYLINDER HEAD SIDE 1	1	1	1	1	
18	93211-06635	O-RING	1	1	1	1	
19	91317-06025	BOLT	2	2	2	2	
20	2NL-11186-12	COVER, CYLINDER HEAD SIDE 2	1	1	1	1	
21	2NL-11187-11	COVER, CYLINDER HEAD SIDE 3	1	1	1	1	
22	93210-57634	O-RING	2	2	2	2	
23	91317-06020	BOLT	5	5	5	5	
24	3Y1-1111F-00	PLATE	1	1	1	1	
25	97007-06012	BOLT	2	2	2	2	
26	90215-06162	WASHER, LOCK	1	1	1	1	
27	94701-00333	PLUG, SPARK (NGK DR8EA)	1	1	1	1	



5YTG100-F010

FIG. 2 CYLINDER



REF. NO.	PART NO.	DESCRIPTION	USA	CAN	EUR	OCE	REMARKS
1	5YT-11310-00	CYLINDER	1	1	1	1	
2	93210-86509	O-RING	1	1	1	1	
3	90387-16547	COLLAR	1	1	1	1	
4	93210-18322	O-RING	1	1	1	1	
5	99530-14016	PIN, DOWEL	1	1	1	1	
6	91317-06030	BOLT	1	1	1	1	
7	4KB-11351-00	GASKET, CYLINDER	1	1	1	1	

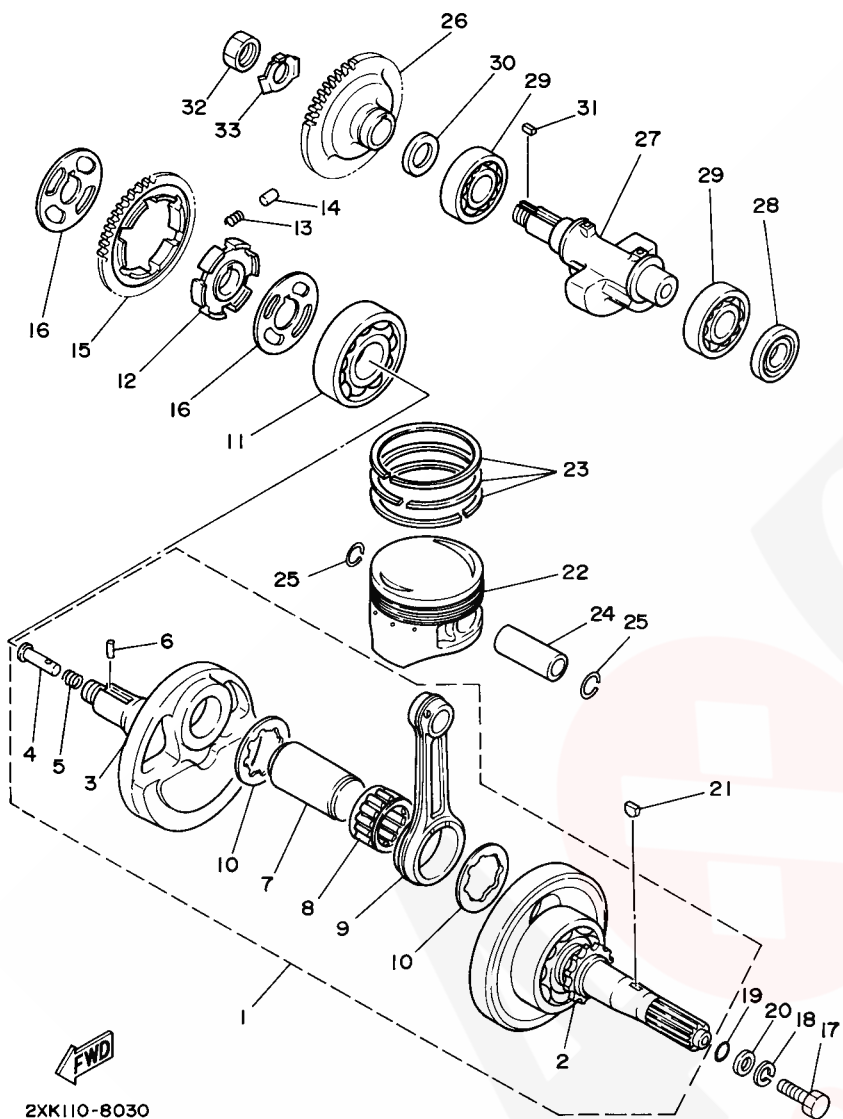


IUY110-7020

B3

FIG. 3 CRANKSHAFT & PISTON

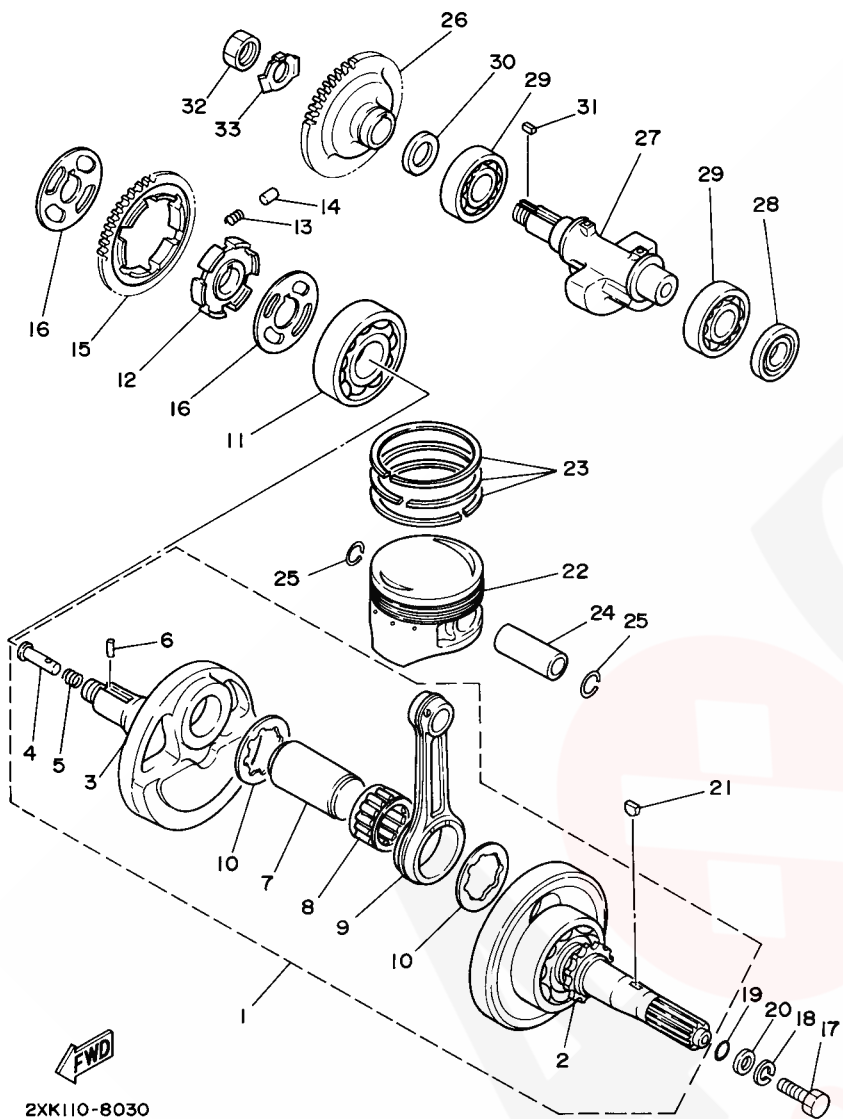
REF. NO.	PART NO.	DESCRIPTION	USA	CAN	EUR	OCE	REMARKS
1	1UY-11400-00	CRANKSHAFT ASSY	1	1	1	1	
2	1UY-W1141-00	.CRANK 1	1	1	1	1	
3	1UY-11422-00	.CRANK 2	1	1	1	1	
4	90240-07105	.PIN, CLEVIS	1	1	1	1	
5	90501-07629	.SPRING, COMPRESSION	1	1	1	1	
6	93602-13177	.PIN, DOWEL	1	1	1	1	
7	30X-11681-00	.PIN, CRANK 1	1	1	1	1	
8	93310-633T5	.BEARING	1	1	1	1	
9	1UY-11651-00	.ROD, CONNECTING	1	1	1	1	
10	90209-33253	.WASHER	2	2	2	2	
11	93306-30622	BEARING	1	1	1	1	
12	30X-11496-00	BOSS, BUFFER	1	1	1	1	
13	90501-22721	SPRING, COMPRESSION	6	6	6	6	
14	93605-10090	PIN, DOWEL	3	3	3	3	
15	3Y1-11531-02	GEAR, BALANCE WEIGHT	1	1	1	1	
16	30X-11565-00	WASHER, BEARING COVER	2	2	2	2	
17	90101-10568	BOLT	1	1	1	1	
18	92907-10100	WASHER, SPRING	1	1	1	1	
19	93210-16290	O-RING	1	1	1	1	
20	90201-107F8	WASHER, PLATE	1	1	1	1	
21	90280-05048	KEY, WOODRUFF	1	1	1	1	
22	5UH-11631-00-C0	PISTON (STD)	1	1	1	1	
	5UH-11636-00	PISTON (0.50MM O/S)	1	1	1	1	AP
	5UH-11638-00	PISTON (1.00MM O/S)	1	1	1	1	AP
23	4GB-11610-00	PISTON RING SET (STD)	1	1	1	1	
	4GB-11610-20	PISTON RING SET (0.50MM O/S)	1	1	1	1	AP
	4GB-11610-40	PISTON RING SET (1.00MM O/S)	1	1	1	1	AP

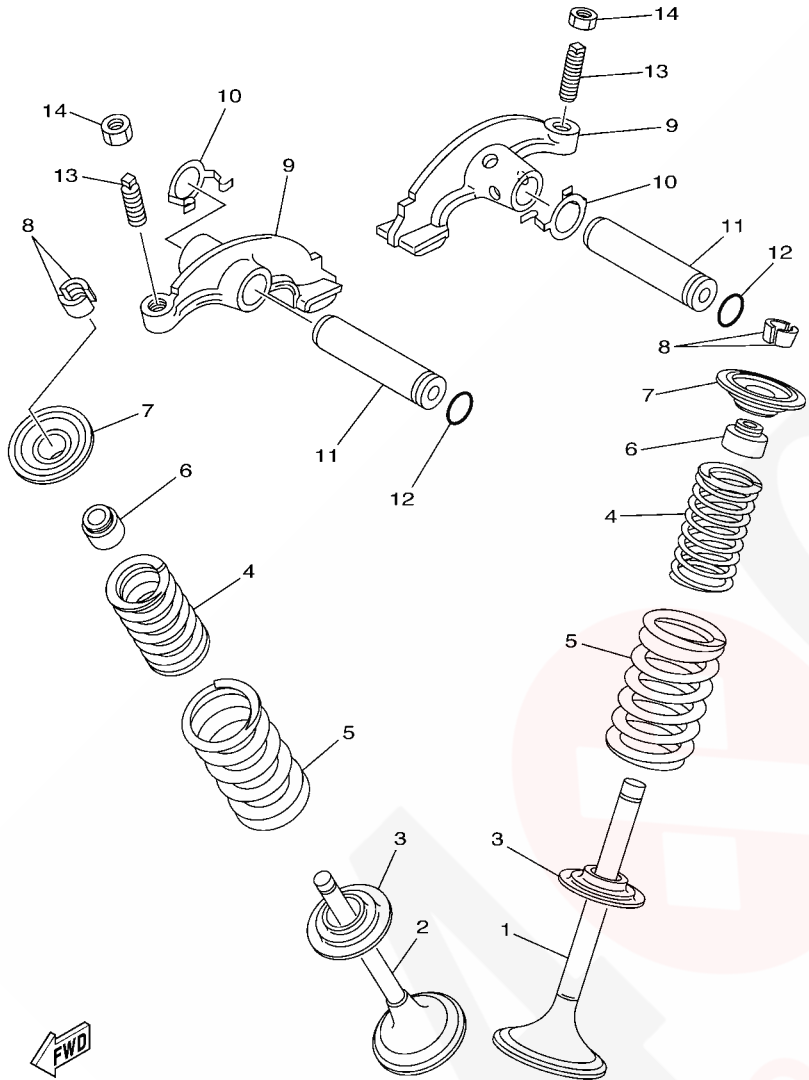


B4

FIG. 3 CRANKSHAFT & PISTON

REF. NO.	PART NO.	DESCRIPTION	USA	CAN	EUR	OCE	REMARKS
24	55V-11633-00	PIN, PISTON	1	1	1	1	
25	93450-19095	CIRCLIP	2	2	2	2	
26	1UY-11536-01	GEAR, DRIVE	1	1	1	1	
27	1UY-11454-00	WEIGHT 1	1	1	1	1	
28	93101-25106	OIL SEAL	1	1	1	1	
29	93306-20532	BEARING	2	2	2	2	
30	90201-207G6	WASHER, PLATE	1	1	1	1	
31	90282-05034	KEY, STRAIGHT	1	1	1	1	
32	90170-16326	NUT	1	1	1	1	
33	90215-16270	WASHER, LOCK	1	1	1	1	





FWD
4KBM100-1040

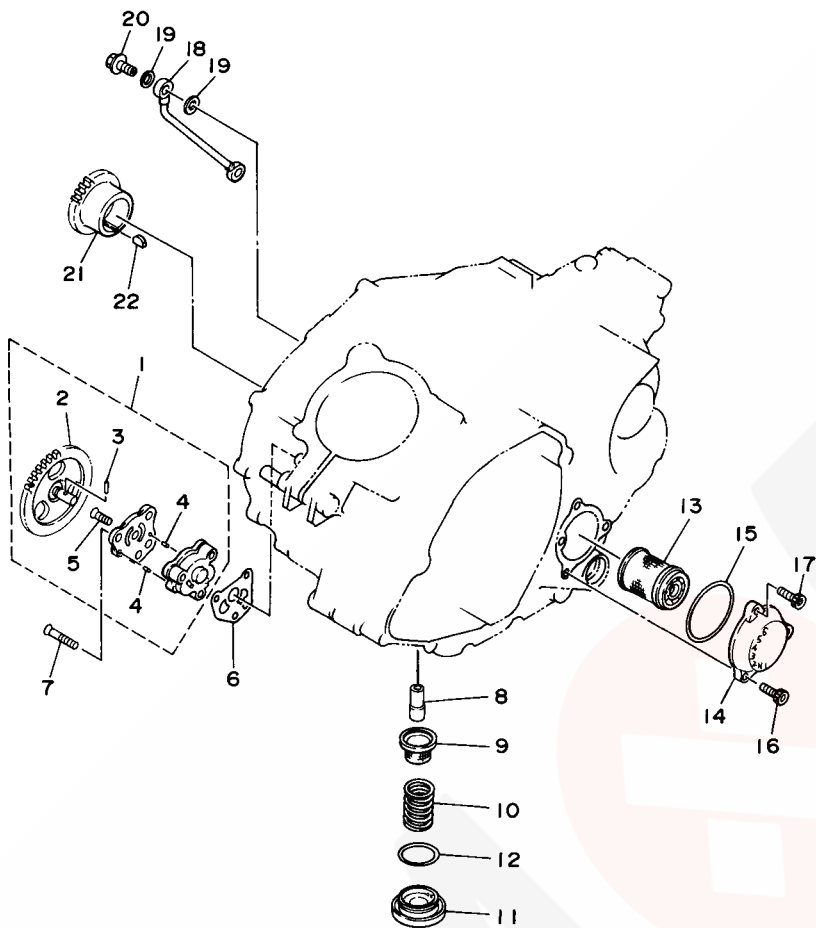
FIG. 4 VALVE

REF. NO.	PART NO.	DESCRIPTION	USA	CAN	EUR	OCE	REMARKS
1	1UY-12111-01	VALVE, INTAKE	1	1	1	1	
2	1UY-12121-01	VALVE, EXHAUST	1	1	1	1	
3	3Y1-12116-00	SEAT, VALVE SPRING	2	2	2	2	
4	1UY-12113-01	SPRING, VALVE INNER	2	2	2	2	
5	1UY-12114-01	SPRING, VALVE OUTER	2	2	2	2	
6	M01-12129-00	SEAL, VALVE STEM	2	2	2	2	
7	3Y1-12117-01	RETAINER, VALVE SPRING	2	2	2	2	
8	1J7-12118-00	COTTER, VALVE	4	4	4	4	
9	3GD-12151-11	ARM, VALVE ROCKER	2	2	2	2	
10	90206-12001	WASHER, WAVE	2	2	2	2	
11	4SH-12156-00	SHAFT, ROCKER 2	2	2	2	2	
12	93210-09165	O-RING	2	2	2	2	
13	31G-12159-02	SCREW, VALVE ADJUSTING	2	2	2	2	
14	31G-12158-00	NUT, LOCK	2	2	2	2	

B6

FIG. 6 OIL PUMP

REF. NO.	PART NO.	DESCRIPTION	USA	CAN	EUR	OCE	REMARKS
1	1UY-13300-00	OIL PUMP ASSY	1	1	1	1	
2	1UY-13326-00	.GEAR, PUMP DRIVEN 2	1	1	1	1	
3	93603-12030	.PIN, DOWEL	1	1	1	1	
4	93603-07073	.PIN, DOWEL	2	2	2	2	
5	90151-06010	.SCREW, COUNTERSUNK	1	1	1	1	
6	3GD-13329-00	GASKET, PUMP COVER	1	1	1	1	
7	98707-06030	SCREW, FLAT HEAD	3	3	3	3	
8	2XK-13416-00	PIPE, OIL 1	1	1	1	1	
9	51Y-13411-00	STRAINER, OIL	1	1	1	1	
10	90501-18576	SPRING, COMPRESSION	1	1	1	1	
11	30X-15351-00	PLUG, DRAIN	1	1	1	1	
12	93210-35520	O-RING	1	1	1	1	
13	1UY-13440-02	ELEMENT ASSY, OIL CLEANER	1	1	1	1	
14	3GD-13447-00	COVER, OIL ELEMENT	1	1	1	1	
15	93210-54175	O-RING	1	1	1	1	
16	91317-06020	BOLT	2	2	2	2	
17	90110-06136	BOLT, HEXAGON SOCKET HEAD	1	1	1	1	
18	1UY-13161-01	PIPE, DELIVERY 1	1	1	1	1	
19	90430-08119	GASKET	4	4	4	4	
20	90401-08004	BOLT, UNION	2	2	2	2	
21	1UY-13324-00	GEAR, PUMP DRIVE	1	1	1	1	
22	90280-05013	KEY, WOODRUFF	1	1	1	1	



3GD1110-9060

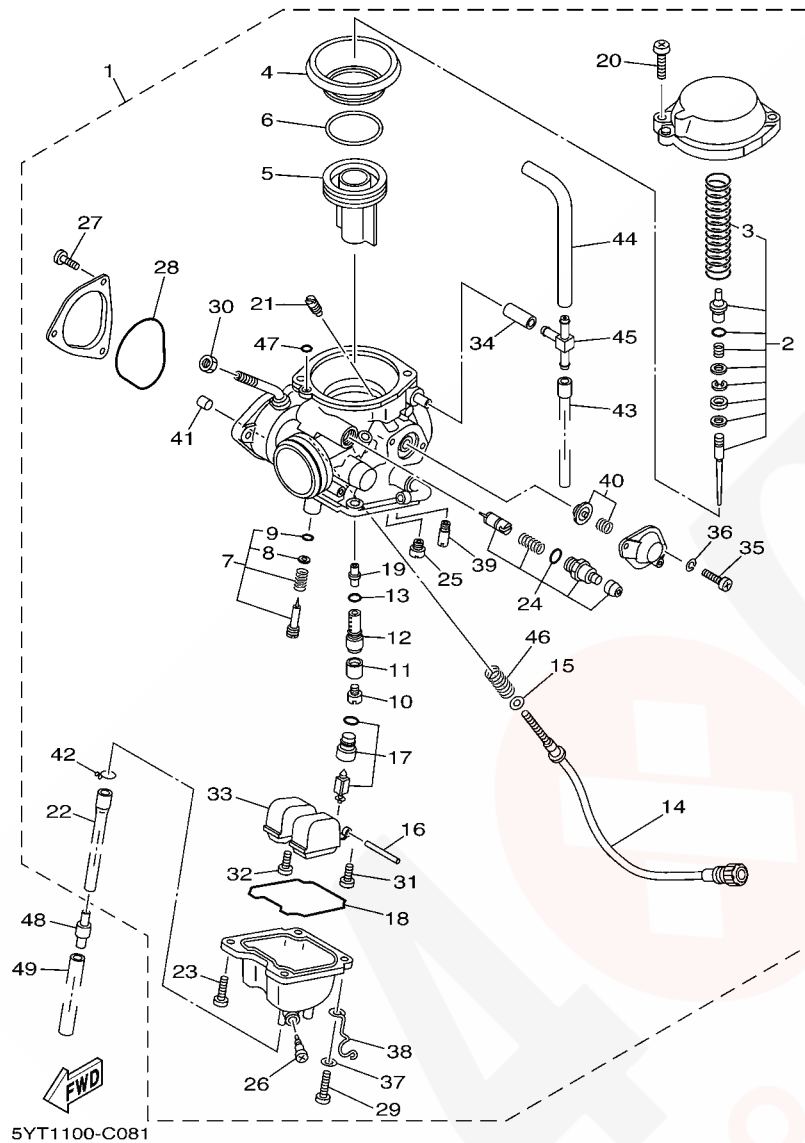


FIG. 8 CARBURETOR

REF. NO.	PART NO.	DESCRIPTION	USA	CAN	EUR	OCE	REMARKS
1	5YT-14901-10	CARBURETOR ASSY 1	1				
	5YT-14901-00	CARBURETOR ASSY 1		1	1	1	
2	5YT-1490J-10	.NEEDLE SET	1				
	5YT-1490J-00	.NEEDLE SET		1	1	1	
3	5YT-24423-00	..SPRING, DIAPHRAGM	1	1	1	1	
4	8FA-14940-00	.DIAPHRAGM ASSY	1	1	1	1	
5	5YT-14112-00	.VALVE, THROTTLE 1	1	1	1	1	
6	5YT-14194-00	.RING	1	1	1	1	
7	5MP-14105-00	.PILOT SCREW SET	1	1	1	1	
8	3H1-14962-00	..WASHER	1	1	1	1	
9	3H1-14147-00	..O-RING	1	1	1	1	
10	3G2-1423A-79	.JET, MAIN (#142.5)	1	1	1	1	
11	5GH-14918-00	.RING	1	1	1	1	
12	5YT-14261-00	.HOLDER	1	1	1	1	
13	583-14561-00	.O-RING	1	1	1	1	
14	5YT-14123-00	.SCREW, AIR ADJUSTING	1	1	1	1	
15	5FU-14962-00	.WASHER	1	1	1	1	
16	127-14186-00	.PIN, FLOAT	1	1	1	1	
17	5YT-14190-25	.NEEDLE VALVE ASSY	1	1	1	1	
18	5DM-14561-00	.O-RING	1	1	1	1	
19	5YT-14141-40	.NOZZLE, MAIN	1	1	1	1	
20	4KM-14216-00	.SCREW	2	2	2	2	
21	1HX-14231-33	.JET, MAIN (#165)	1	1	1	1	
22	5YT-14193-00	.PIPE	1	1	1	1	
23	98507-04010	.SCREW, PAN HEAD	3	3	3	3	
24	5YT-1410A-00	.STARTER SET	1	1	1	1	
25	3G2-14231-14	.JET,PILOT AIR(#70)	1	1	1	1	

B10

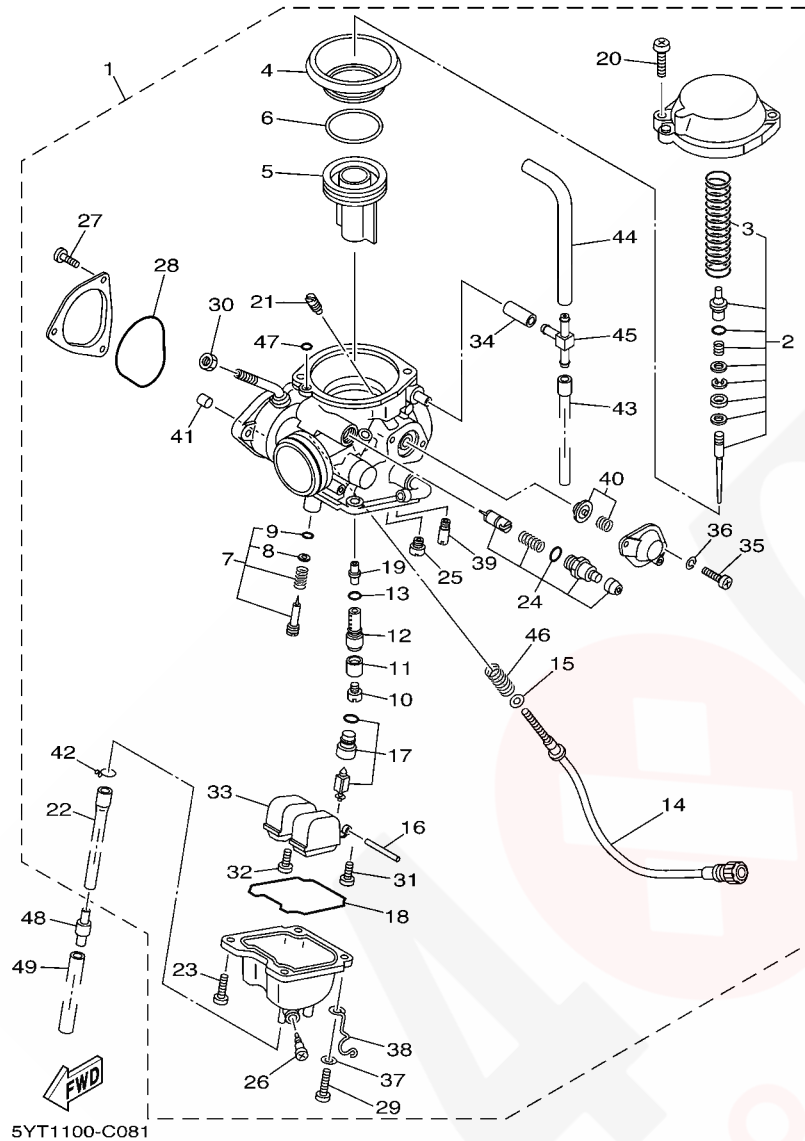


FIG. 8 CARBURETOR

REF. NO.	PART NO.	DESCRIPTION	USA	CAN	EUR	OCE	REMARKS
26	5LW-14191-00	.PLUG, DRAIN	1	1	1	1	
27	98507-04006	.SCREW, PAN HEAD	3	3	3	3	
28	5LP-14147-00	.O-RING	1	1	1	1	
29	98507-04012	.SCREW, PAN HEAD	1	1	1	1	
30	522-14161-00	.NUT, CABLE ADJUSTING	1	1	1	1	
31	98507-04008	.SCREW, PAN HEAD	1	1	1	1	
32	1FN-14565-00	.SCREW	1	1	1	1	
33	5DM-14985-00	.FLOAT	1	1	1	1	
34	5YT-14197-00	.PIPE	1	1	1	1	
35	98501-04014	.SCREW, PAN HEAD	2	2	2	2	
36	92902-04100	.WASHER, SPRING	2	2	2	2	
37	92907-04600	.WASHER	1	1	1	1	
38	5KM-14937-00	.CLIP	1	1	1	1	
39	4KM-14142-22	.JET, PILOT (# 22.5)	1	1	1	1	
40	5YT-1490H-00	.DIAPHRAGM SET 5	1	1	1	1	
41	3GD-14155-00	.GUIDE, CABLE	1	1	1	1	
42	80N-14139-00	.CLIP, PIPE	1	1	1	1	
43	5YT-14197-20	.PIPE	1	1	1	1	
44	5YT-14197-10	.PIPE	1	1	1	1	
45	28V-14988-00	.PIPE, STARTER CONNECTING	1	1	1	1	
46	137-14133-00	.SPRING, THROTTLE STOP	1	1	1	1	
47	354-14147-00	.O-RING	1	1	1	1	
48	24W-14193-00	PIPE	1	1	1	1	
49	91A20-07010	TUBE, FLEXIBLE VINYL	1	1	1	1	

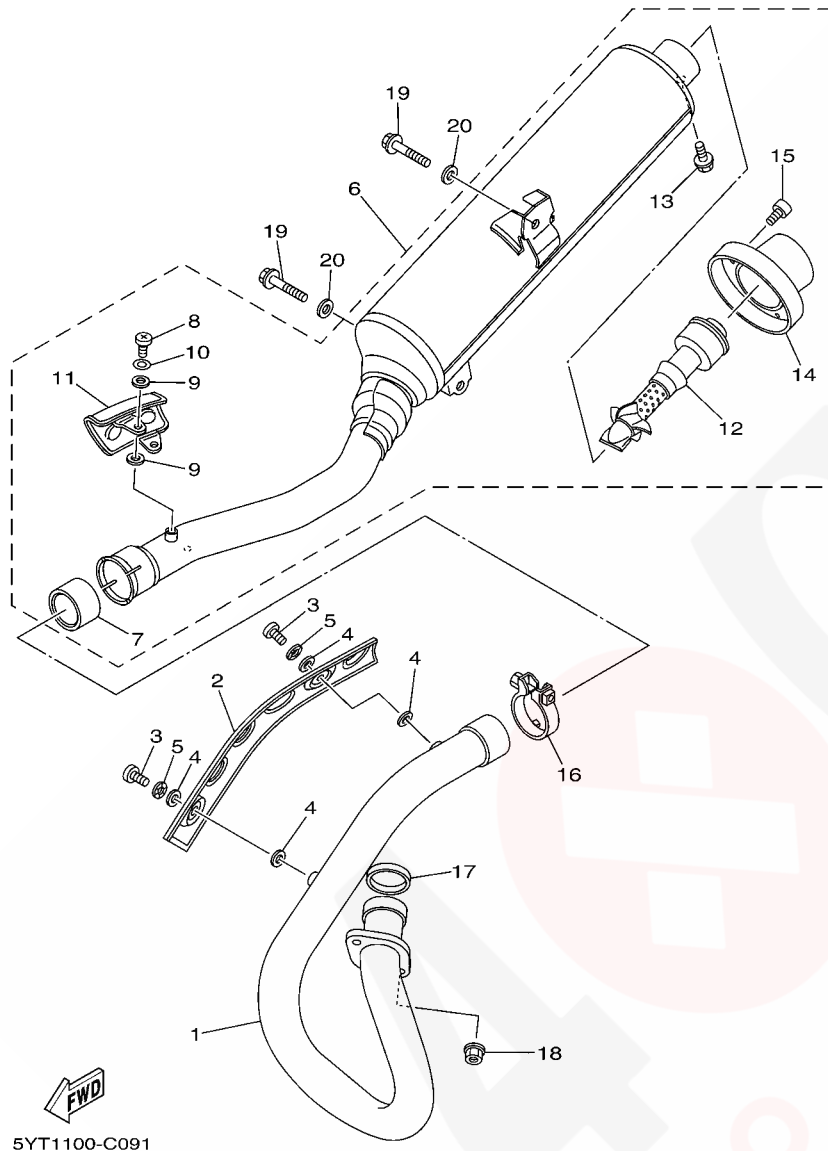
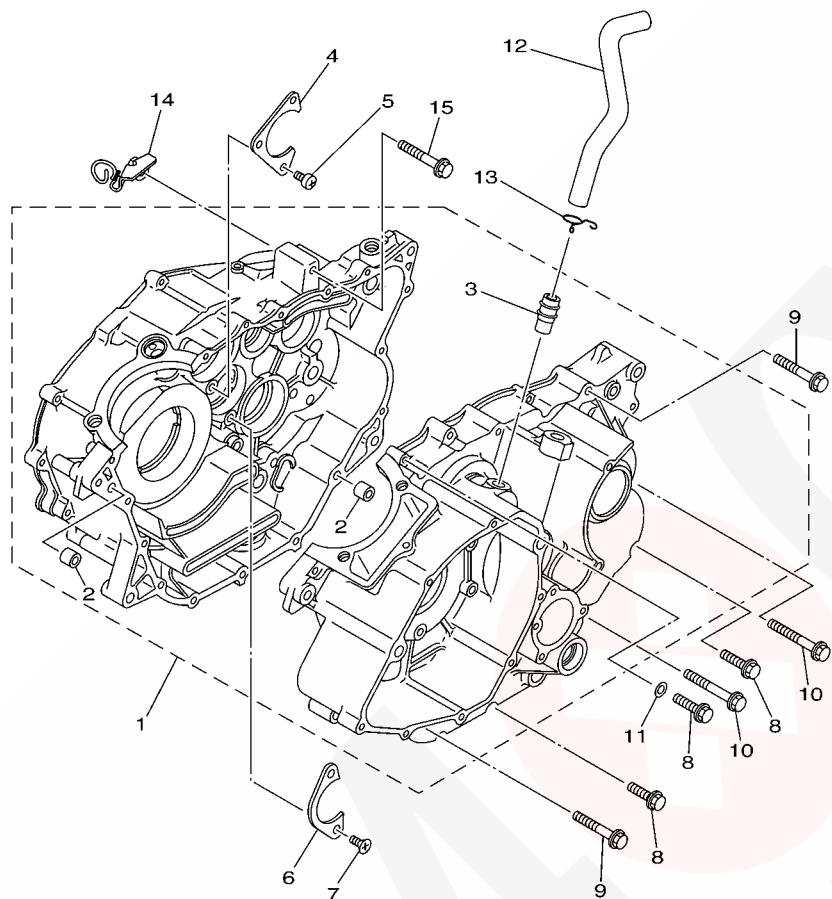


FIG. 9 EXHAUST

REF. NO.	PART NO.	DESCRIPTION	USA	CAN	EUR	OCE	REMARKS
1	1UY-14611-02	PIPE, EXHAUST 1	1	1	1	1	
2	5YT-14628-00	PROTECTOR, EXHAUST PIPE	1	1	1	1	
3	98907-06010	SCREW, BIND	2	2	2	2	
4	90201-05015	WASHER, PLATE	4	4	4	4	
5	92907-06200	WASHER	2	2	2	2	
6	5YT-14710-00	MUFFLER ASSY 1	1	1	1	1	
7	4WM-14755-00	.GASKET, SILENCER	1	1	1	1	
8	98907-06010	.SCREW, BIND	2	2	2	2	
9	90201-05015	.WASHER, PLATE	4	4	4	4	
10	92907-06200	.WASHER	2	2	2	2	
11	5YT-14708-01	.PROTECTOR ASSY	1	1	1	1	
12	5TG-14752-00	.PIPE, OUTLET	1	1	1	1	
13	95027-06008	.BOLT, FLANGE	1	1	1	1	
14	5YT-14787-00	.CAP, SILENCER	1	1	1	1	
15	90110-06134	.BOLT, HEXAGON SOCKET HEAD	3	3	3	3	
16	5YT-14788-00	BAND, SILENCER	1	1	1	1	
17	3GD-14613-00	GASKET, EXHAUST PIPE	1	1	1	1	
18	90179-06668	NUT	2	2	2	2	
19	95817-08016	BOLT, FLANGE	2	2	2	2	
20	90201-08326	WASHER, PLATE	2	2	2	2	

FIG. 10 CRANKCASE



5YT1100-C100

REF. NO.	PART NO.	DESCRIPTION	USA	CAN	EUR	OCE	REMARKS
1	3GD-15100-03	CRANKCASE ASSY	1	1	1	1	
2	99530-12016	.PIN, DOWEL	2	2	2	2	
3	371-11167-01	.PIPE, BREATHER 2	1	1	1	1	
4	3R4-15381-00	PLATE, BEARING COVER	1	1	1	1	
5	98507-06012	SCREW, PAN HEAD	3	3	3	3	
6	1UY-15383-00	PLATE, BEARING COVER	1	1	1	1	
7	98707-06016	SCREW, FLAT HEAD	2	2	2	2	
8	95027-06030	BOLT, FLANGE	8	8	8	8	
9	95027-06050	BOLT, FLANGE	6	6	6	6	
10	95027-06060	BOLT, FLANGE	2	2	2	2	
11	90430-06014	GASKET	1	1	1	1	
12	5YT-11166-00	PIPE, BREATHER 1	1	1	1	1	
13	90467-140A4	CLIP	1	1	1	1	
14	5YT-15441-10	HOLDER, CLUTCH CABLE	1	1	1	1	
15	95802-08045	BOLT, FLANGE	1	1	1	1	

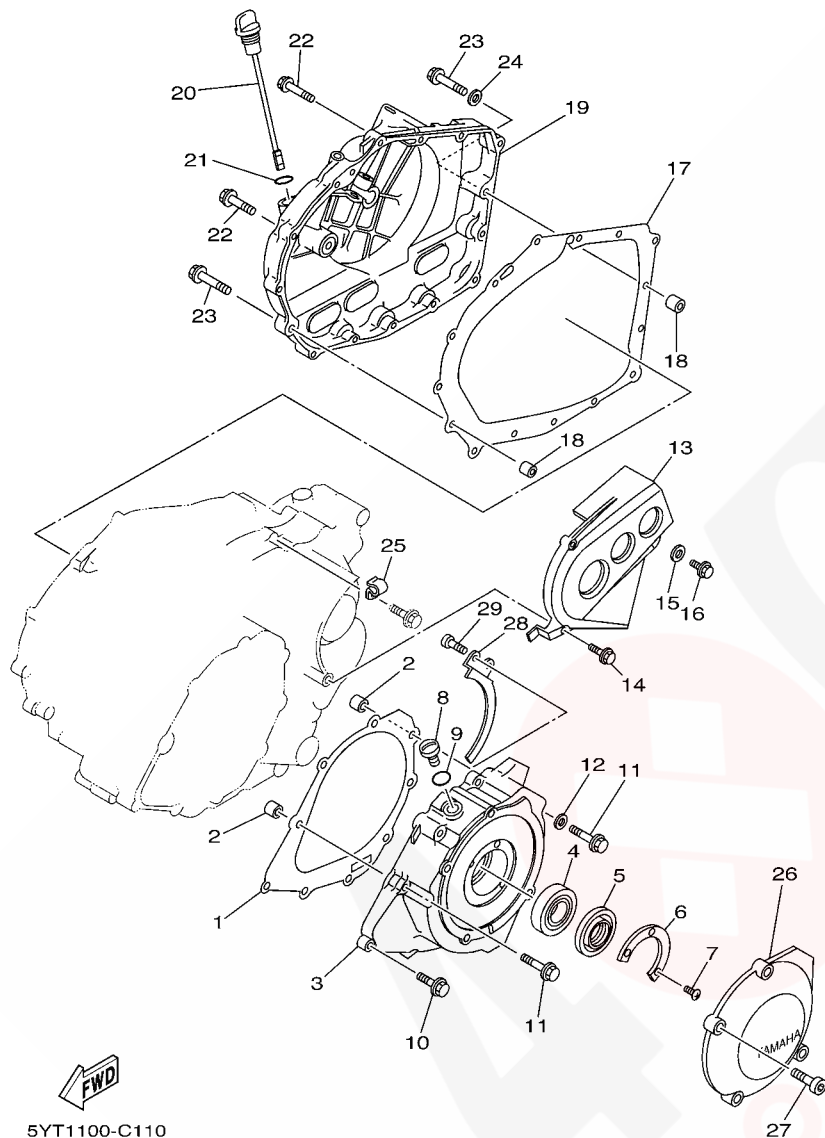
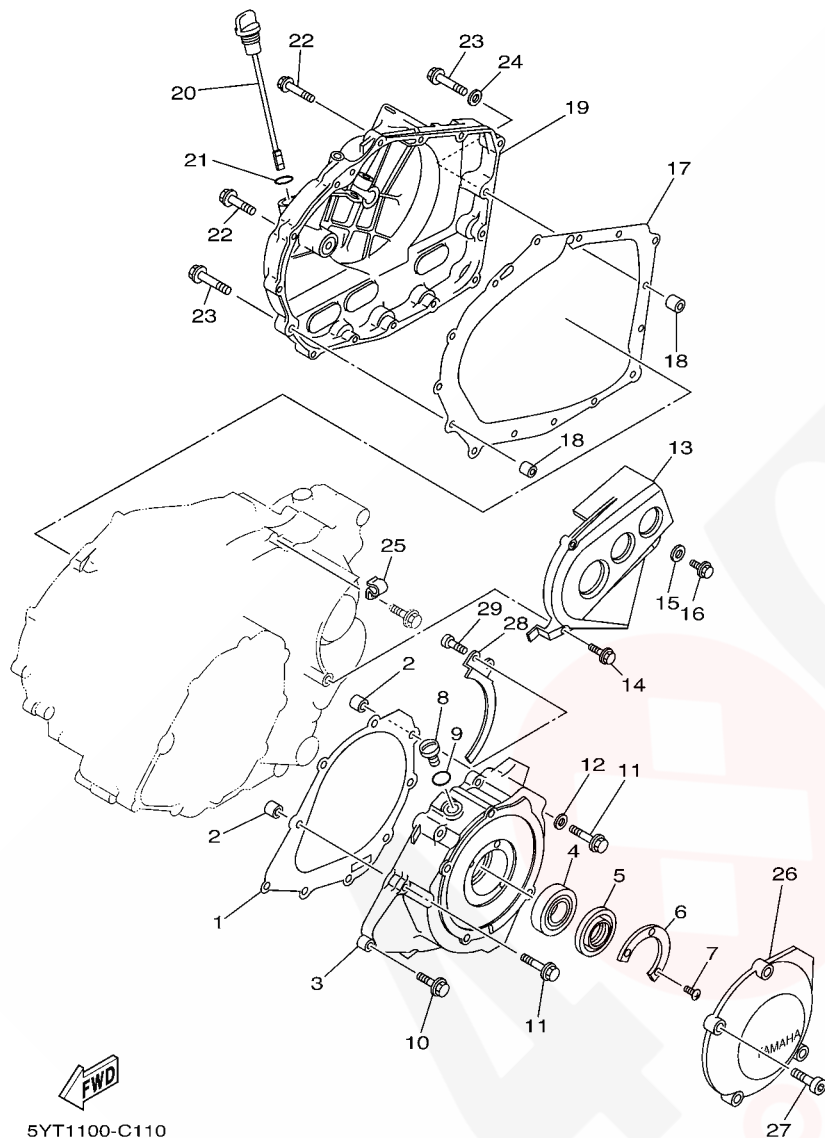


FIG. 11 CRANKCASE COVER 1

REF. NO.	PART NO.	DESCRIPTION	USA	CAN	EUR	OCE	REMARKS
1	3GD-15451-00	GASKET, CRANKCASE COVER 1	1	1	1	1	
2	99530-12016	PIN, DOWEL	2	2	2	2	
3	3GD-15787-03	ADAPTOR	1	1	1	1	
4	93306-07801	BEARING	1	1	1	1	
5	93102-28476	OIL SEAL	1	1	1	1	
6	21V-15719-00	WASHER, THRUST	1	1	1	1	
7	90151-05023	SCREW, COUNTERSUNK	2	2	2	2	
8	90340-14117	PLUG, STRAIGHT SCREW	1	1	1	1	
9	93210-14369	O-RING	1	1	1	1	
10	95027-06025	BOLT, FLANGE	4	4	4	4	
11	95027-06045	BOLT, FLANGE	5	5	5	5	
12	90430-06014	GASKET	1	1	1	1	
13	1UY-15421-00	COVER, CRANKCASE 2	1	1	1	1	
14	95027-06020	BOLT, FLANGE	2	2	2	2	
15	90201-06380	WASHER, PLATE	1	1	1	1	
16	95027-06016	BOLT, FLANGE	1	1	1	1	
17	3GD-15461-00	GASKET, CRANKCASE COVER 2	1	1	1	1	
18	99530-12016	PIN, DOWEL	2	2	2	2	
19	3GD-15431-10	COVER, CRANKCASE 3	1	1	1	1	
20	1UY-15362-01	PLUG, OIL LEVEL	1	1	1	1	
21	93210-19522	O-RING	1	1	1	1	
22	95027-06030	BOLT, FLANGE	13	13	13	13	
23	95027-06040	BOLT, FLANGE	2	2	2	2	
24	90430-06014	GASKET	1	1	1	1	
25	90465-08045	CLAMP	1	1	1	1	
26	3GD-15411-00	COVER, CRANKCASE 1	1	1	1	1	
27	92017-06025	BOLT, BUTTON HEAD	4	4	4	4	

B14

FIG. 11 CRANKCASE COVER 1



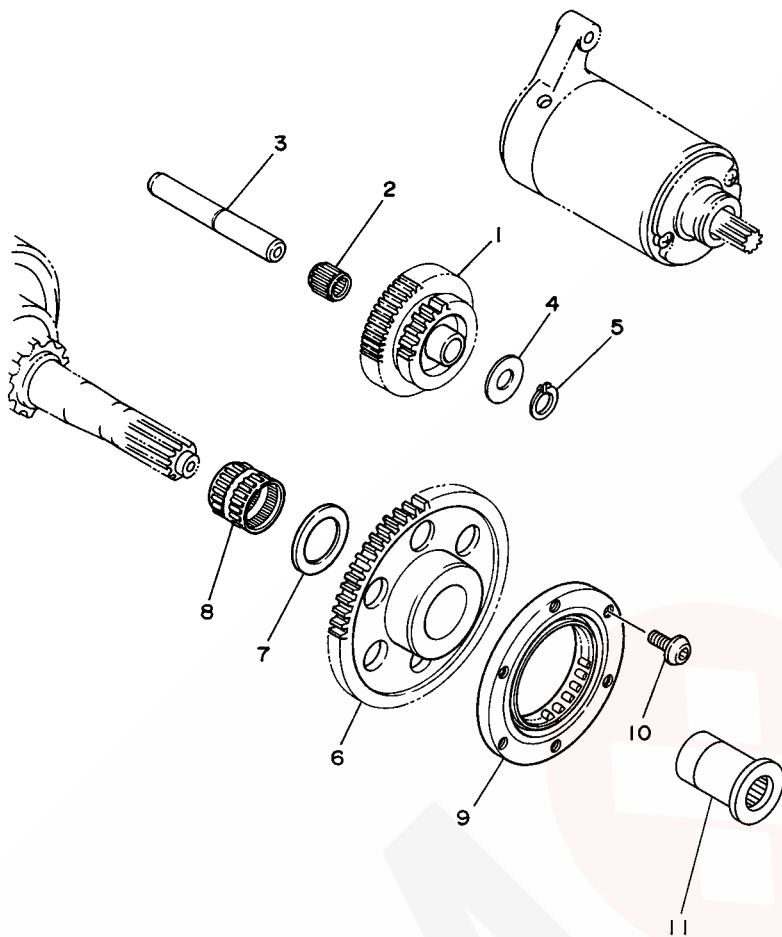
5YT1100-C110

REF. NO.	PART NO.	DESCRIPTION	USA	CAN	EUR	OCE	REMARKS
28	1UY-81175-01	STOPPER 1	1	1	1	1	
29	98507-06012	SCREW, PAN HEAD	2	2	2	2	

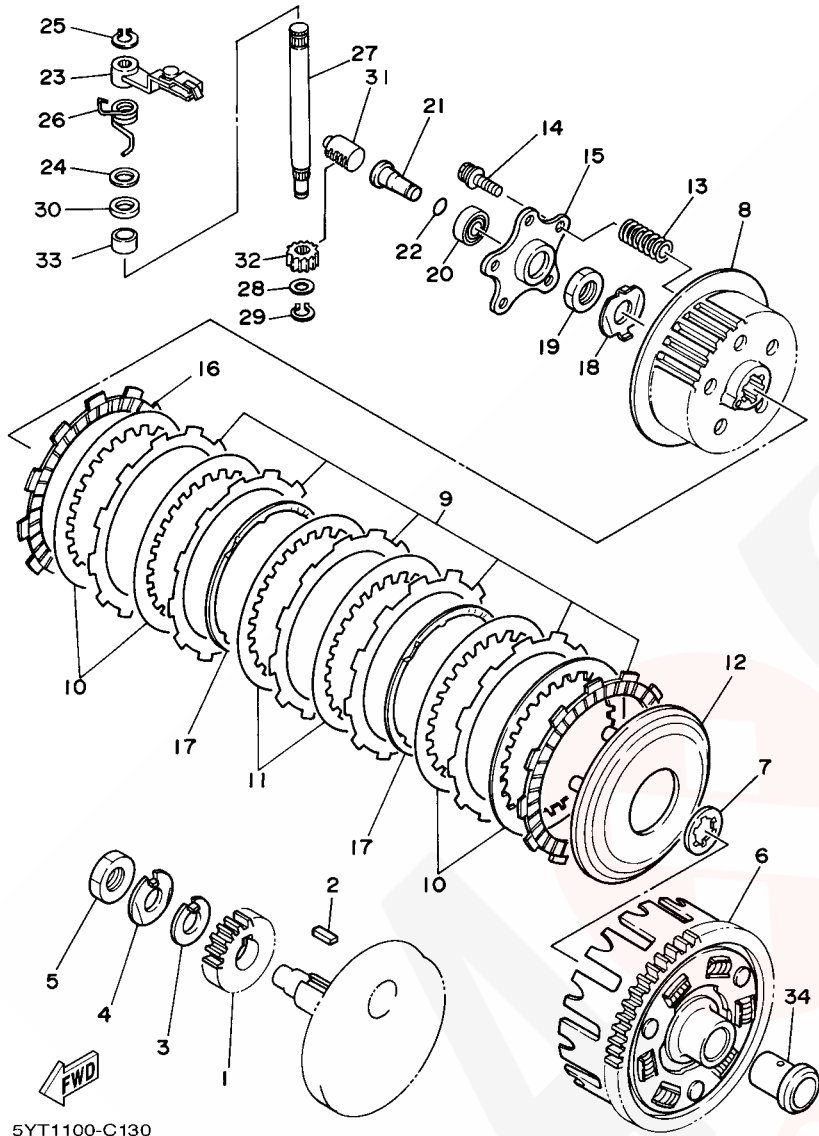
B15

FIG. 12 STARTER CLUTCH

REF. NO.	PART NO.	DESCRIPTION	USA	CAN	EUR	OCE	REMARKS
1	1UY-15512-00	GEAR, IDLER 1	1	1	1	1	
2	93310-212L6	BEARING	2	2	2	2	
3	1UY-15521-02	SHAFT 1	1	1	1	1	
4	90201-123K4	WASHER, PLATE	1	1	1	1	
5	99009-12400	CIRCLIP	1	1	1	1	
6	1UY-15517-01	GEAR, IDLER 2 (65T)	1	1	1	1	
7	90201-25291	WASHER, PLATE	1	1	1	1	
8	93310-225N0	BEARING	1	1	1	1	
9	1UY-15590-01	STARTER ONE-WAY ASSY	1	1	1	1	
10	90149-08329	SCREW	6	6	6	6	
11	3GD-15777-10	BOSS, STARTER PULLEY	1	1	1	1	



5YT1100-C120



5YT1100-C130

FIG. 13 CLUTCH

REF. NO.	PART NO.	DESCRIPTION	USA	CAN	EUR	OCE	REMARKS
1	1UY-16111-10	GEAR, PRIMARY DRIVE	1	1	1	1	
2	90282-07057	KEY, STRAIGHT	1	1	1	1	
3	90215-16156	WASHER, LOCK	1	1	1	1	
4	90215-16222	WASHER, LOCK	1	1	1	1	
5	90170-16343	NUT	1	1	1	1	
6	2NL-16150-00	PRIMARY DRIVEN GEAR COMP.(76T)	1	1	1	1	
7	30X-16154-00	PLATE, THRUST 1	1	1	1	1	
8	1UY-16371-02	BOSS, CLUTCH	1	1	1	1	
9	5Y1-16331-01	PLATE, FRICTION 2	6	6	6	6	
10	168-16325-00	PLATE, CLUTCH 2 (T=1.6)	4	4	4	4	
11	3J2-16324-00	PLATE, CLUTCH 1 (T=2.0)	2	2	2	2	
12	1UY-16351-00	PLATE, PRESSURE 1	1	1	1	1	
13	90501-231E9	SPRING, COMPRESSION	5	5	5	5	
14	90159-06123	SCREW, WITH WASHER	5	5	5	5	
15	1UY-16352-00	PLATE, PRESSURE 2	1	1	1	1	
16	31A-16321-01	PLATE, FRICTION	1	1	1	1	
17	5Y1-16383-00	SPRING, CLUTCH BOSS	2	2	2	2	
18	90215-16258	WASHER, LOCK	1	1	1	1	
19	90170-16326	NUT	1	1	1	1	
20	93306-00006	BEARING	1	1	1	1	
21	1UY-16358-00	PLATE, PUSH	1	1	1	1	
22	93210-06422	O-RING	1	1	1	1	
23	5YT-16340-00	PUSH LEVER ASSY	1	1	1	1	
24	90201-12163	WASHER, PLATE	1	1	1	1	
25	99001-09600	CIRCLIP	1	1	1	1	
26	90508-16022	SPRING, TORSION	1	1	1	1	
27	1UY-16382-00	AXLE, PUSH LEVER	1	1	1	1	

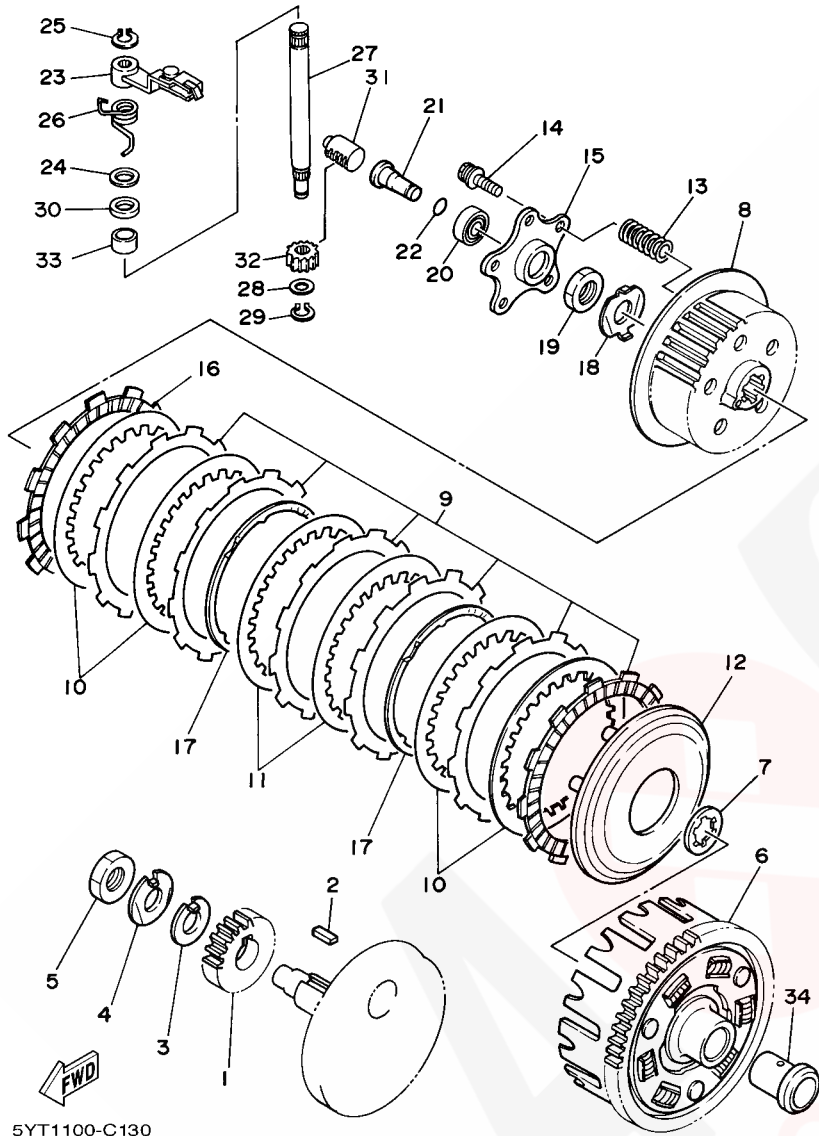
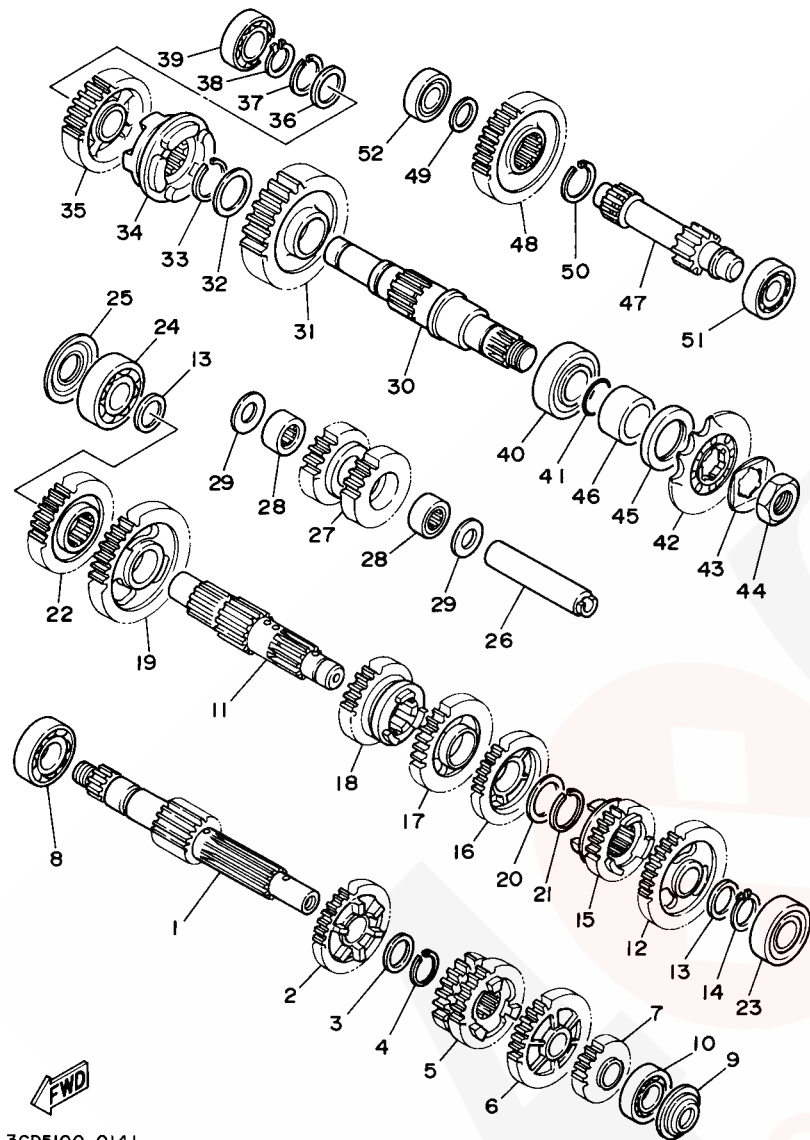


FIG. 13 CLUTCH

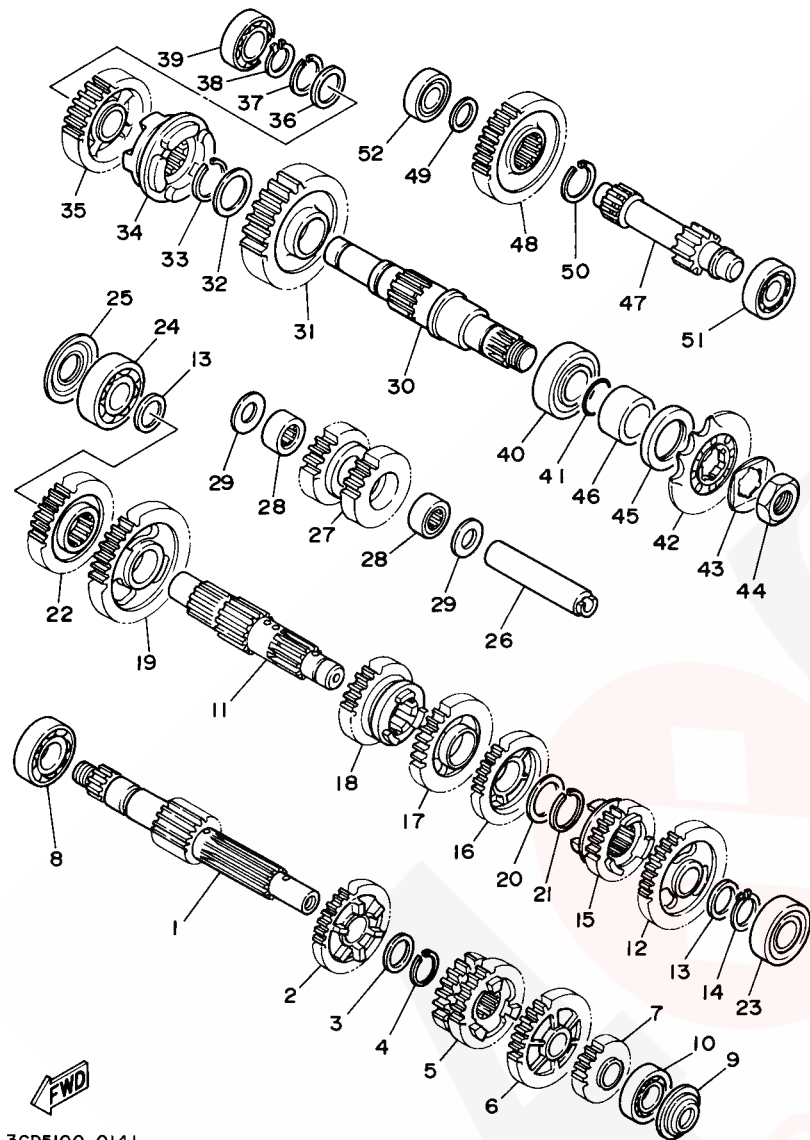
REF. NO.	PART NO.	DESCRIPTION	USA	CAN	EUR	OCE	REMARKS
28	90201-08085	WASHER, PLATE	1	1	1	1	
29	99001-07600	CIRCLIP	1	1	1	1	
30	93102-12224	OIL SEAL	1	1	1	1	
31	1UY-16356-00	ROD, PUSH 1	1	1	1	1	
32	3LD-16398-00	PINION, RELEAS	1	1	1	1	
33	90386-12093	BUSH	1	1	1	1	
34	1UY-16181-00	SPACER 1	1	1	1	1	



3GD5100-0141

FIG. 14 TRANSMISSION

REF. NO.	PART NO.	DESCRIPTION	USA	CAN	EUR	OCE	REMARKS
1	1UY-17401-01	MAIN AXLE ASSY	1	1	1	1	
2	1UY-17151-00	GEAR, 5TH PINION (28T)	1	1	1	1	
3	90209-18208	WASHER	1	1	1	1	
4	93410-22039	CIRCLIP	1	1	1	1	
5	1UY-17131-00	GEAR, 3RD PINION (23T/26T)	1	1	1	1	
6	1UY-17161-01	GEAR, 6TH PINION (29T)	1	1	1	1	
7	1UY-17121-00	GEAR, 2ND PINION (20T)	1	1	1	1	
8	93306-27202	BEARING	1	1	1	1	
9	93104-17094	OIL SEAL	1	1	1	1	
10	93306-20301	BEARING	1	1	1	1	
11	1UY-17421-02	AXLE, DRIVE	1	1	1	1	
12	5YT-17221-00	GEAR, 2ND WHEEL (33T)	1	1	1	1	
13	90201-203E7	WASHER, PLATE	2	2	2	2	
14	93410-20038	CIRCLIP	1	1	1	1	
15	5YT-17261-00	GEAR, 6TH WHEEL (23T)	1	1	1	1	
16	1UY-17241-00	GEAR, 4TH WHEEL (27T)	1	1	1	1	
17	1UY-17231-01	GEAR, 3RD WHEEL (29T)	1	1	1	1	
18	1UY-17251-00	GEAR, 5TH WHEEL (25T)	1	1	1	1	
19	1UY-17211-00	GEAR, 1ST WHEEL (36T)	1	1	1	1	
20	90201-256E6	WASHER, PLATE (T=0.9)	1	1	1	1	
21	93440-25084	CIRCLIP	1	1	1	1	
22	1UY-17123-00	GEAR, HIGH PINION (27T)	1	1	1	1	
23	93306-20401	BEARING	1	1	1	1	
24	93306-30424	BEARING	1	1	1	1	
25	93104-20068	OIL SEAL	1	1	1	1	
26	1UY-17432-01	AXLE, IDLE	1	1	1	1	
27	1UY-17223-02	GEAR, HIGH WHEEL (18T/20T)	1	1	1	1	



3GD5100-0141

FIG. 14 TRANSMISSION

REF. NO.	PART NO.	DESCRIPTION	USA	CAN	EUR	OCE	REMARKS
28	93311-41587	BEARING	2	2	2	2	
29	90201-150U6	WASHER, PLATE	2	2	2	2	
30	1UY-17523-00	SHAFT	1	1	1	1	
31	1UY-17253-00	GEAR, REVERSE WHEEL 2 (33T)	1	1	1	1	
32	90201-28665	WASHER, PLATE	1	1	1	1	
33	93440-28062	CIRCLIP	1	1	1	1	
34	1UY-17285-00	CLUTCH, DOG	1	1	1	1	
35	1UY-17582-00	GEAR, MIDDLE DRIVE (29T)	1	1	1	1	
36	90201-22793	WASHER, PLATE	1	1	1	1	
37	93410-22039	CIRCLIP	1	1	1	1	
38	93410-20038	CIRCLIP	1	1	1	1	
39	93306-00431	BEARING	1	1	1	1	
40	93306-20501	BEARING	1	1	1	1	
41	93210-22164	O-RING	1	1	1	1	
42	93834-13030	SPROCKET, DRIVE 13T(23X1746130)	1	1	1	1	
43	90215-21239	WASHER, LOCK	1	1	1	1	
44	90179-20255	NUT	1	1	1	1	
45	93102-35393	OIL SEAL	1	1	1	1	
46	90387-257N4	COLLAR	1	1	1	1	
47	1UY-17431-00	AXLE, COUNTER	1	1	1	1	
48	1UY-17243-00	GEAR, REVERSE WHEEL 1 (33T)	1	1	1	1	
49	90201-17255	WASHER, PLATE	1	1	1	1	
50	93440-25084	CIRCLIP	1	1	1	1	
51	93306-20301	BEARING	1	1	1	1	
52	93306-00308	BEARING	1	1	1	1	

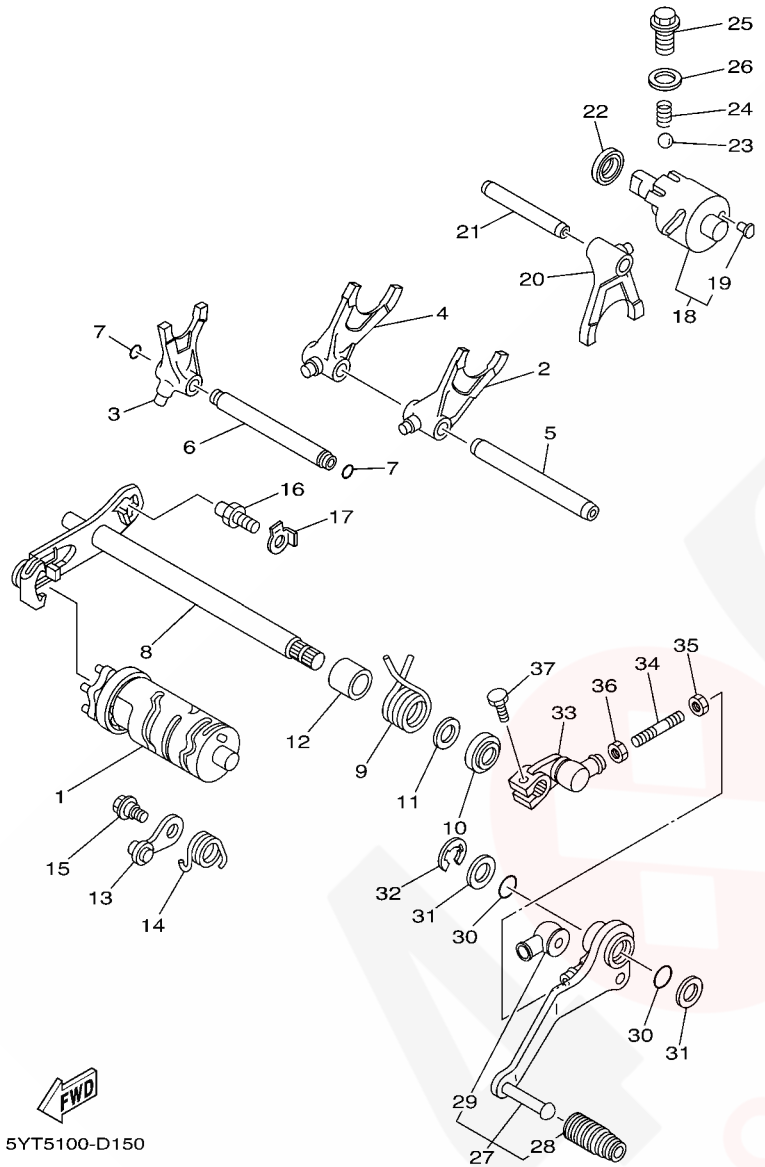
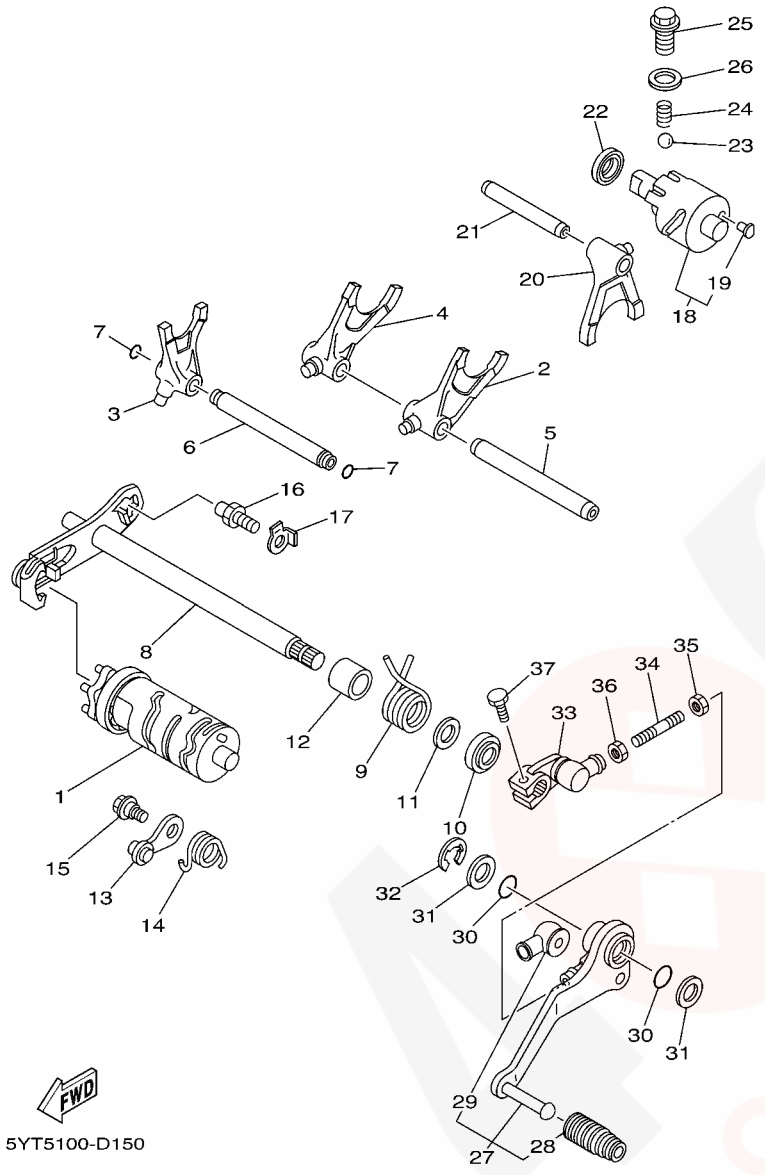


FIG. 15 SHIFT CAM & FORK

REF. NO.	PART NO.	DESCRIPTION	USA	CAN	EUR	OCE	REMARKS
1	5YT-18540-00	SHIFT CAM ASSY	1	1	1	1	
2	1YW-18511-00	FORK, SHIFT 1	1	1	1	1	
3	4GB-18512-00	FORK, SHIFT 2	1	1	1	1	
4	1UY-18513-00	FORK, SHIFT 3	1	1	1	1	
5	22U-18535-00	BAR, SHIFT FORK GUIDE 2	1	1	1	1	
6	4GB-18531-00	BAR, SHIFT FORK GUIDE 1	1	1	1	1	
7	93210-07590	O-RING	2	2	2	2	
8	1UY-18101-01	SHIFT SHAFT ASSY	1	1	1	1	
9	90508-32711	SPRING, TORSION	1	1	1	1	
10	93102-14209	OIL SEAL	1	1	1	1	
11	90201-14691	WASHER, PLATE	1	1	1	1	
12	90560-14284	SPACER	1	1	1	1	
13	1UY-18140-00	STOPPER LEVER ASSY	1	1	1	1	
14	90508-25712	SPRING, TORSION	1	1	1	1	
15	90109-063F7	BOLT	1	1	1	1	
16	4G0-18127-00	STOPPER, SCREW	1	1	1	1	
17	90215-08260	WASHER, LOCK	1	1	1	1	
18	3GD-18420-00	SHIFTER ASSY	1	1	1	1	
19	3GH-18542-00	.POINT, NEUTRAL	1	1	1	1	
20	1UY-18311-00	FORK, SHIFT 1	1	1	1	1	
21	2A6-18531-00	BAR, SHIFT FORK GUIDE 1	1	1	1	1	
22	93102-15212	OIL SEAL	1	1	1	1	
23	93503-08007	BALL	1	1	1	1	
24	90501-10353	SPRING, COMPRESSION	1	1	1	1	
25	90105-14003	BOLT, FLANGE	1	1	1	1	
26	90430-14194	GASKET	1	1	1	1	
27	5YT-18110-10	SHIFT PEDAL ASSY	1	1	1	1	

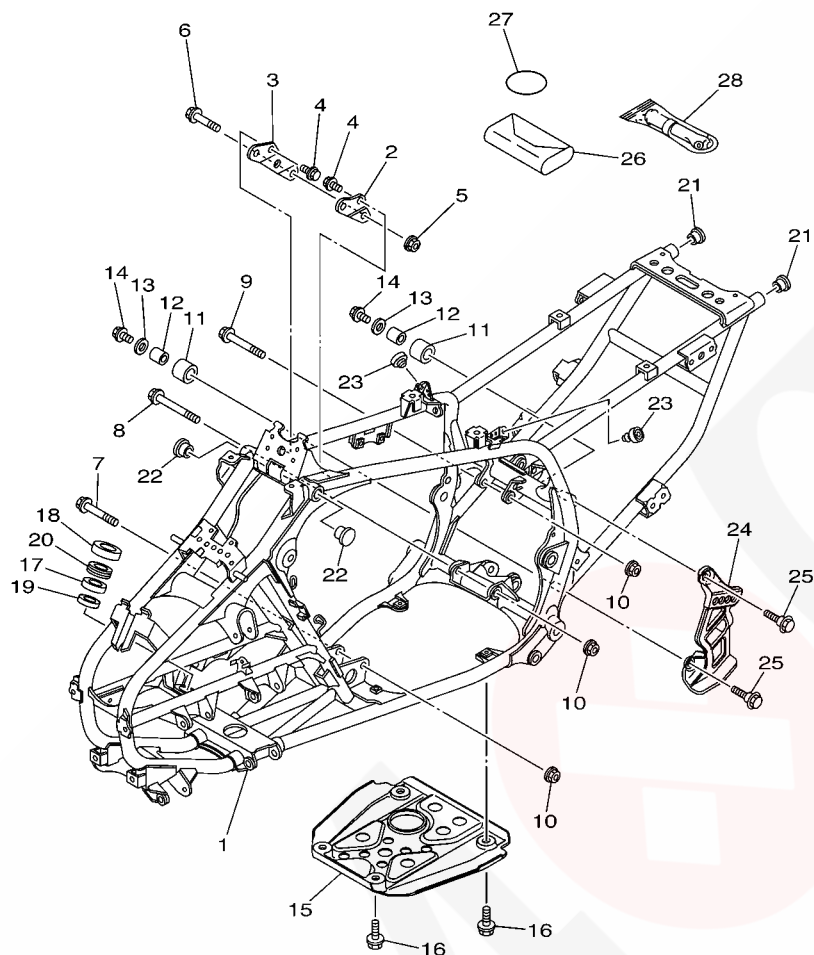


FWD
5YT5100-D150

FIG. 15 SHIFT CAM & FORK

REF. NO.	PART NO.	DESCRIPTION	USA	CAN	EUR	OCE	REMARKS
28	5YT-18113-00	.COVER, SHIFT PEDAL	1	1	1	1	
29	2H9-18154-00	.COVER, DUST	1	1	1	1	
30	93210-15414	O-RING	2	2	2	2	
31	90201-15018	WASHER, PLATE	2	2	2	2	
32	93430-12008	CIRCLIP	1	1	1	1	
33	1UY-18112-10	ARM, SHIFT	1	1	1	1	
34	1JN-18115-00	ROD, SHIFT	1	1	1	1	
35	90170-06228	NUT(COUNTER CLOCKWISE)	1	1	1	1	
36	95302-06700	NUT	1	1	1	1	
37	97012-06020	BOLT	1	1	1	1	

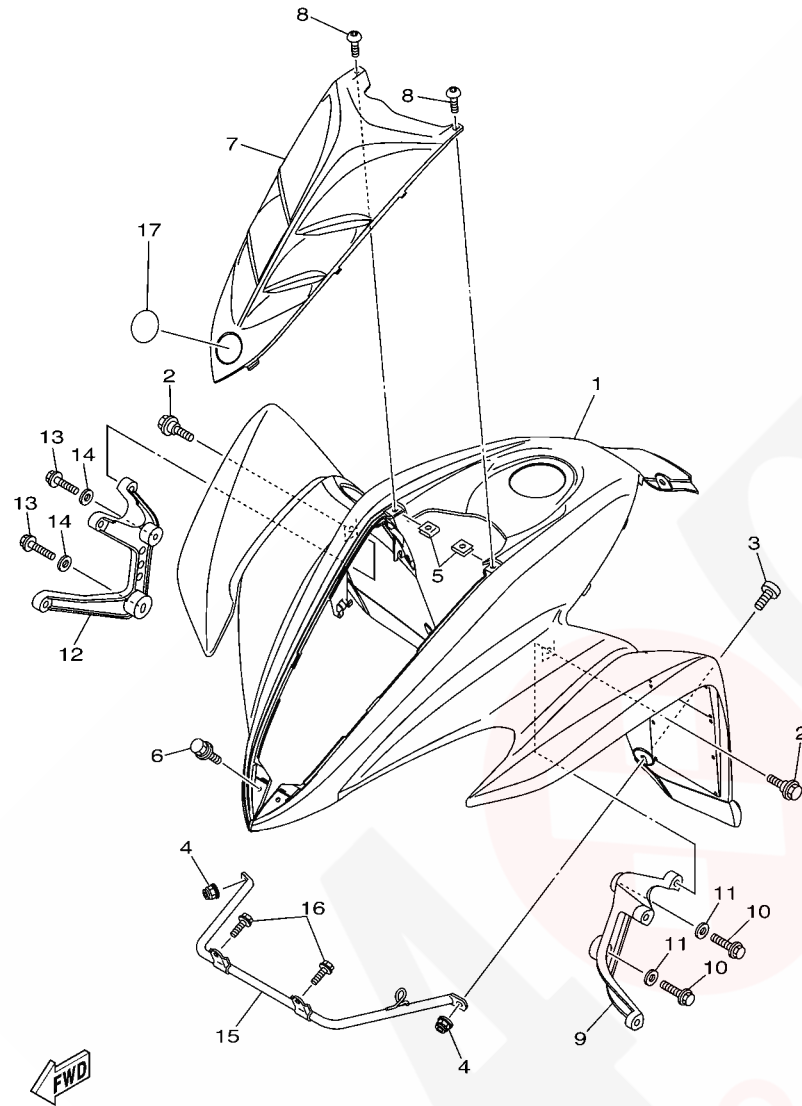
FIG. 16 FRAME



5YT1100-C160

REF. NO.	PART NO.	DESCRIPTION	USA	CAN	EUR	OCE	REMARKS
1	5YT-21110-30	FRAME COMP.	1	1	1	1	
2	1UY-21315-10	STAY, ENGINE 2	1	1	1	1	
3	1UY-21316-10	STAY, ENGINE 3	1	1	1	1	
4	95817-08012	BOLT, FLANGE	4	4	4	4	
5	90179-08577	NUT	1	1	1	1	
6	95817-08055	BOLT, FLANGE	1	1	1	1	
7	90105-10323	BOLT, FLANGE	1	1	1	1	
8	90105-10409	BOLT, FLANGE	1	1	1	1	
9	90105-10480	BOLT, FLANGE	1	1	1	1	
10	90185-10002	NUT, SELF-LOCKING	3	3	3	3	
11	3TB-22178-00	TENSIONER	2	2	2	2	
12	4V4-22184-00	BUSH	2	2	2	2	
13	90201-08054	WASHER, PLATE	2	2	2	2	
14	95822-08012	BOLT, FLANGE	2	2	2	2	
15	5YT-21471-00	PROTECTOR, ENGINE	1	1	1	1	
16	90109-08100	BOLT	4	4	4	4	
17	93306-20331	BEARING	1	1	1	1	
18	93102-25081	OIL SEAL	1	1	1	1	
19	93102-25099	OIL SEAL	1	1	1	1	
20	2GU-23872-00	HOLDER, BEARING	1	1	1	1	
21	90338-18122	PLUG	2	2	2	2	
22	90338-23172	PLUG	2	2	2	2	
23	22W-24741-00	PAD, SEAT	2	2	2	2	
24	5YT-2117G-00	PROTECTOR	1	1	1	1	
25	90109-08052	BOLT	2	2	2	2	
26	2XK-28100-00	TOOL KIT	1	1	1	1	
27	3TJ-82131-00	BAND, BATTERY	1	1	1	1	

FIG. 17 FRONT FENDER

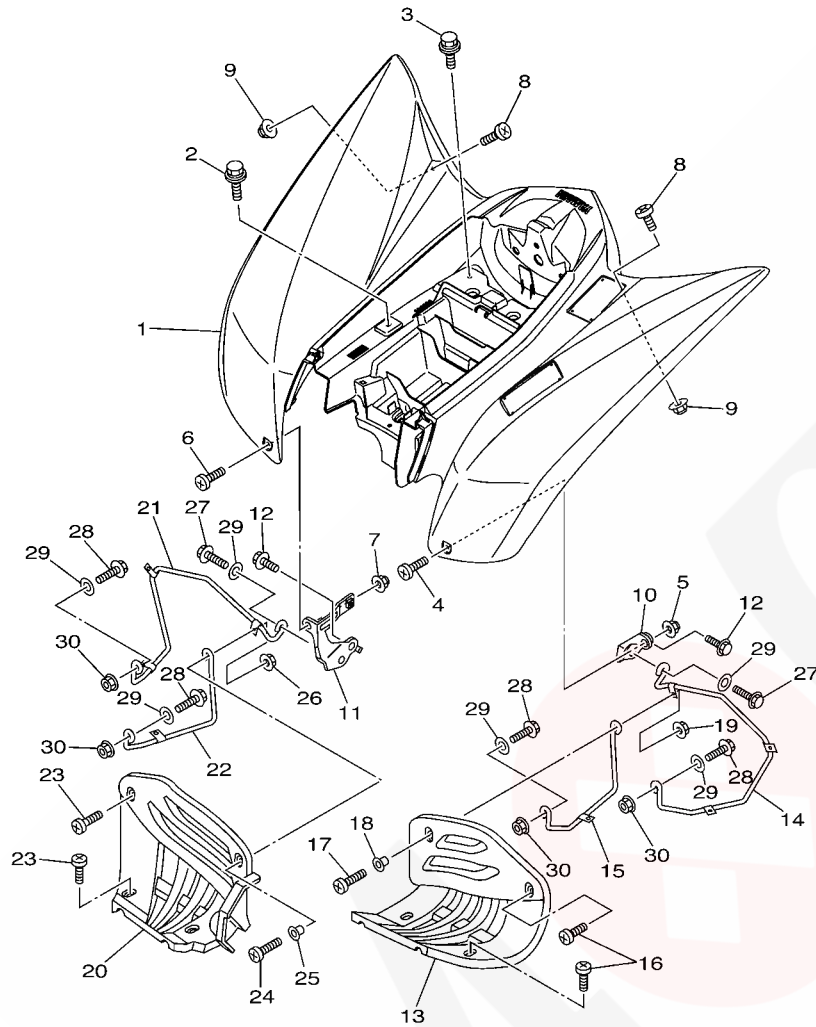


5YT1100-C170

REF. NO.	PART NO.	DESCRIPTION	USA	CAN	EUR	OOE	REMARKS
1	5YT-W2151-10	FRONT FENDER COMP.	1				FOR BWS1
	5YT-W215C-10	FRONT FENDER COMP.2		1			FOR BWS1
	5YT-W215B-10	FRONT FENDER COMP. 2			1		FOR BWS1
	5YT-W215E-10	FRONT FENDER COMP.				1	FOR BWS1
2	90109-06172	BOLT	2	2	2	2	
3	90149-06306	SCREW	2	2	2	2	
4	95602-06200	NUT, SELF-LOCKING	2	2	2	2	
5	90183-05008	NUT, SPRING	2	2	2	2	
6	90119-06152	BOLT, WITH WASHER	2	2	2	2	
7	5YT-23391-D0	PANEL, FRONT	1	1	1	1	
8	90110-05201	BOLT, HEXAGON SOCKET HEAD	2	2	2	2	
9	5YT-21513-00	STAY, FENDER 1	1	1	1	1	
10	95812-06014	BOLT, FLANGE	2	2	2	2	
11	90201-06089	WASHER, PLATE	2	2	2	2	
12	5YT-21514-00	STAY, FENDER 2	1	1	1	1	
13	95812-06014	BOLT, FLANGE	2	2	2	2	
14	90201-06089	WASHER, PLATE	2	2	2	2	
15	5YT-21562-00	STAY, FENDER 3	1	1	1	1	
16	95822-06010	BOLT, FLANGE	2	2	2	2	
17	8AC-2414B-01	EMBLEM	1	1	1	1	

C11

FIG. 18 REAR FENDER

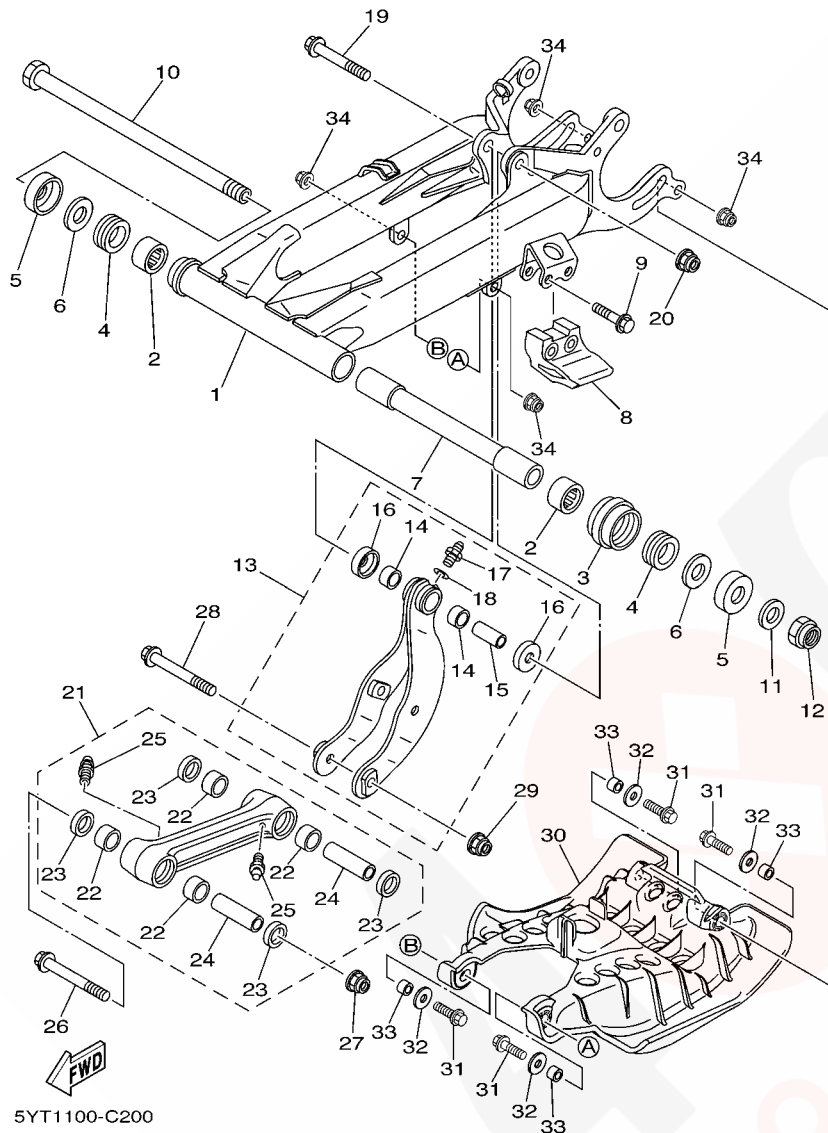


5YT1100-C180

REF. NO.	PART NO.	DESCRIPTION	USA	CAN	EUR	OCE	REMARKS
1	5YT-W2161-10	REAR FENDER COMP.	1			1	FOR BWS1
	5YT-W216C-10	REAR FENDER COMP.2		1			FOR BWS1
	5YT-W216B-10	REAR FENDER COMP.2			1		FOR BWS1
2	90119-06152	BOLT, WITH WASHER	2	2	2	2	
3	90119-06152	BOLT, WITH WASHER	2	2	2	2	
4	90149-06306	SCREW	1	1	1	1	
5	90185-06153	NUT, SELF-LOCKING	1	1	1	1	
6	90149-06306	SCREW	1	1	1	1	
7	90185-06153	NUT, SELF-LOCKING	1	1	1	1	
8	90149-06306	SCREW	2	2	2	2	
9	90185-06153	NUT, SELF-LOCKING	2	2	2	2	
10	5YT-21613-00	STAY, FENDER 1	1	1	1	1	
11	5YT-21614-00	STAY, FENDER 2	1	1	1	1	
12	95822-08012	BOLT, FLANGE	2	2	2	2	
13	5LP-21621-00	FLAP	1	1	1	1	
14	5YT-2164F-00	STAY 1	1	1	1	1	
15	5YT-2164H-00	STAY 3	1	1	1	1	
16	90154-05013	SCREW, BINDING	3	3	3	3	
17	90154-06061	SCREW, BINDING	1	1	1	1	
18	90387-062E0	COLLAR	1	1	1	1	
19	95607-06200	NUT, SELF U-FLANGE	1	1	1	1	
20	5LP-21691-00	FLAP	1	1	1	1	
21	5YT-2164G-00	STAY 2	1	1	1	1	
22	5YT-2164J-00	STAY 4	1	1	1	1	
23	90154-05013	SCREW, BINDING	3	3	3	3	
24	90154-06061	SCREW, BINDING	1	1	1	1	
25	90387-062E0	COLLAR	1	1	1	1	

C12

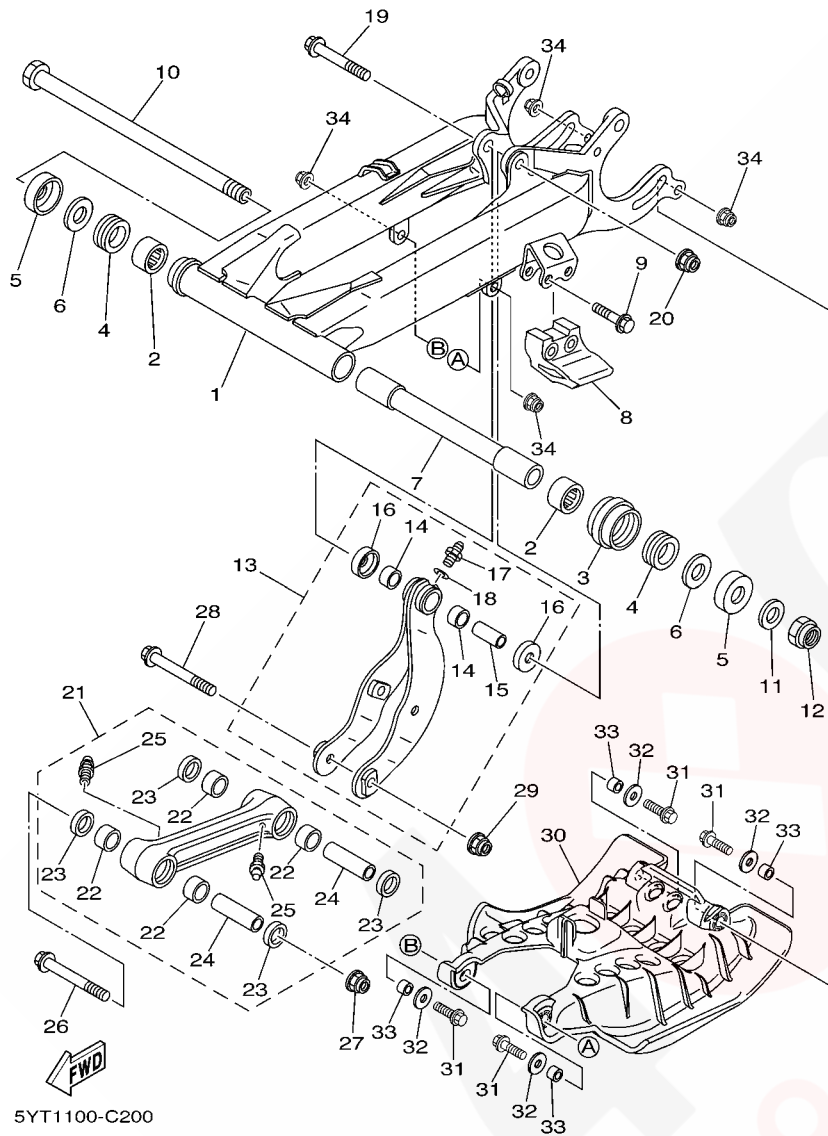
FIG. 20 REAR ARM



REF. NO.	PART NO.	DESCRIPTION	USA	CAN	EUR	OCE	REMARKS
1	3GD-22110-30	REAR ARM COMP.	1	1	1	1	
2	93317-22237	BEARING	2	2	2	2	
3	2GU-22151-00	SEAL, GUARD	1	1	1	1	
4	93108-35004	OIL SEAL (35-41-8)	2	2	2	2	
5	2K6-22128-01	COVER, THRUST 1	2	2	2	2	
6	90201-244A9	WASHER, PLATE (2.05T)	2	2	2	2	
7	3GD-22184-00	BUSH	1	1	1	1	
8	38W-22199-00	SUPPORT, CHAIN	1	1	1	1	
9	95802-08040	BOLT, FLANGE	2	2	2	2	
10	1UY-22141-10	SHAFT, PIVOT	1	1	1	1	
11	90201-16018	WASHER, PLATE	1	1	1	1	
12	90185-16002	NUT, SELF-LOCKING	1	1	1	1	
13	5YT-2210J-00	RELAY ARM SUB ASSY	1	1	1	1	
14	90383-20032	.BUSH, FORMED	2	2	2	2	
15	90387-125N8	.COLLAR	1	1	1	1	
16	5YT-22129-00	.COVER, THRUST 2	2	2	2	2	
17	93700-06004	.NIPPLE, GREASE	1	1	1	1	
18	90201-063F3	.WASHER, PLATE	1	1	1	1	
19	90105-12028	BOLT, FLANGE	1	1	1	1	
20	95607-12200	NUT, SELF-LOCKING	1	1	1	1	
21	5YT-2210K-00	CONNECTING ROD SUB ASSY	1	1	1	1	
22	90383-20032	.BUSH, FORMED	4	4	4	4	
23	93109-20076	.OIL SEAL	4	4	4	4	
24	90387-12021	.COLLAR	2	2	2	2	
25	93700-06004	.NIPPLE, GREASE	2	2	2	2	
26	90105-12027	BOLT, FLANGE	1	1	1	1	
27	95607-12200	NUT, SELF-LOCKING	1	1	1	1	

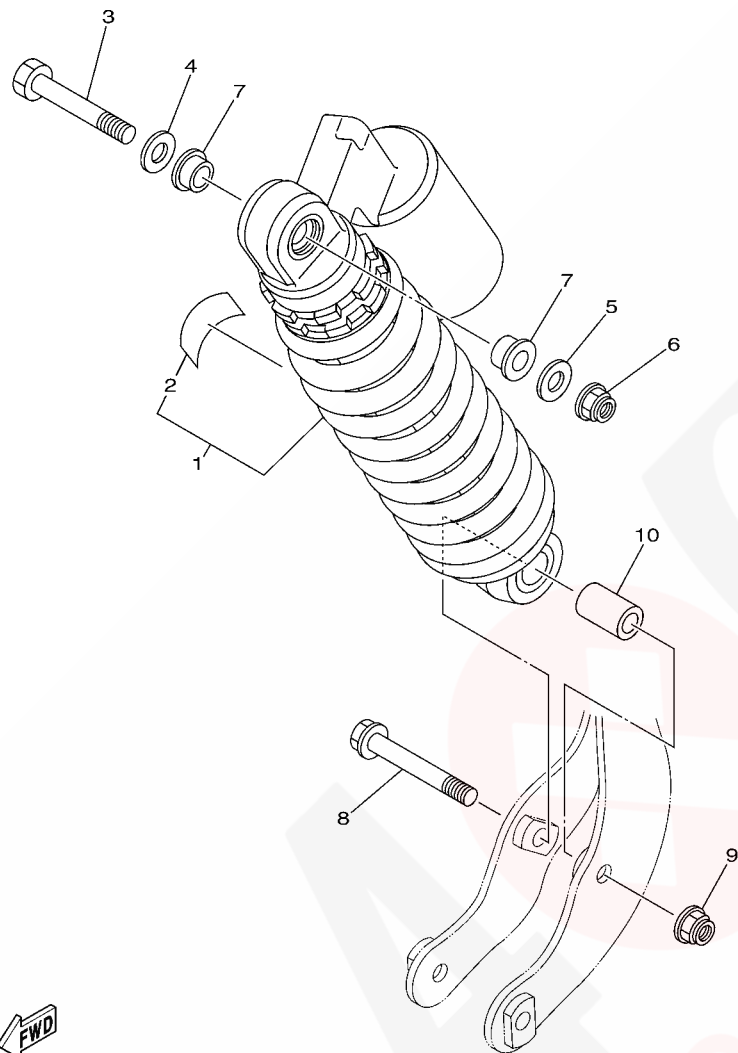
C15

FIG. 20 REAR ARM



REF. NO.	PART NO.	DESCRIPTION	USA	CAN	EUR	OCE	REMARKS
28	90105-12027	BOLT, FLANGE	1	1	1	1	
29	95607-12200	NUT, SELF-LOCKING	1	1	1	1	
30	5YT-2219X-00	COVER	1	1	1	1	
31	97002-08030	BOLT	4	4	4	4	
32	90201-08054	WASHER, PLATE	4	4	4	4	
33	90387-084N8	COLLAR	4	4	4	4	
34	95702-08500	NUT, FLANGE	4	4	4	4	

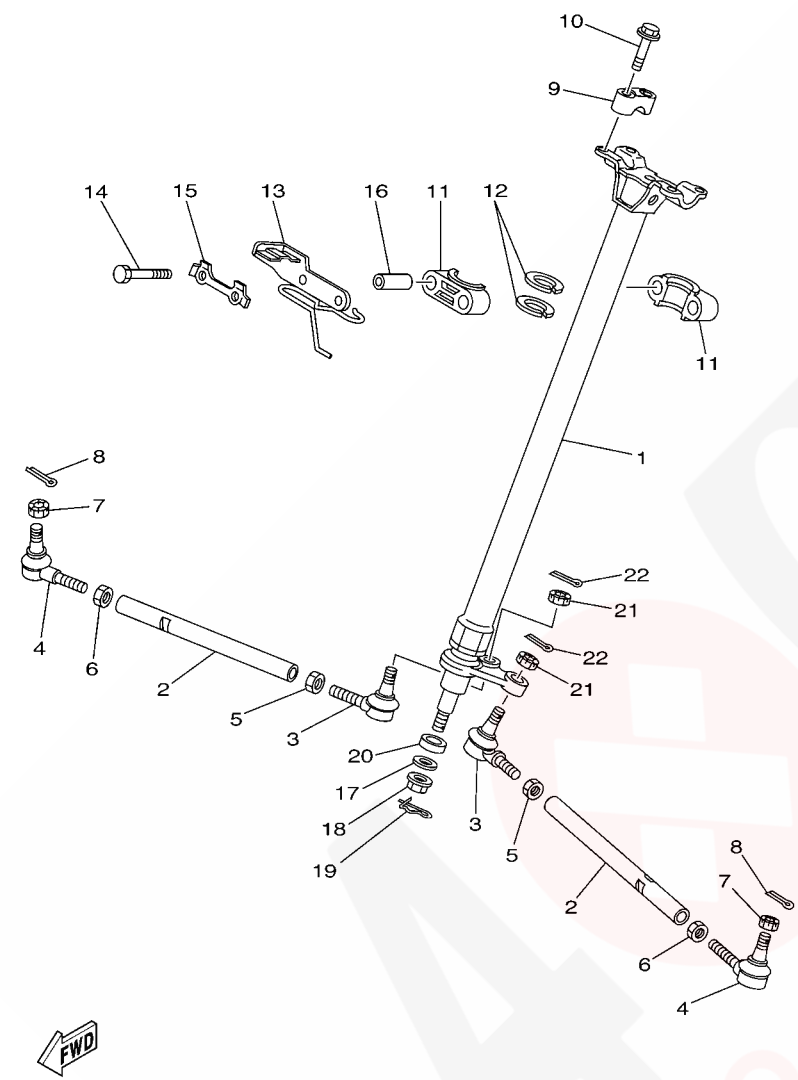
FIG. 21 REAR SUSPENSION



5YT1100-C211

REF. NO.	PART NO.	DESCRIPTION	USA	CAN	EUR	OCE	REMARKS
1	5YT-22210-40	SHOCK ABSORBER ASSY, REAR	1				
	5YT-22210-50	SHOCK ABSORBER ASSY, REAR		1			
	5YT-22210-60	SHOCK ABSORBER ASSY, REAR			1	1	
2	4AA-22259-80	.LABEL, WARNING	1				
	4AA-22259-70	.LABEL, WARNING		1			
	4AA-22259-40	.LABEL, WARNING			1	1	
3	90101-12012	BOLT	1	1	1	1	
4	90201-12016	WASHER, PLATE	1	1	1	1	
5	90201-124G9	WASHER, PLATE	1	1	1	1	
6	90185-12134	NUT, SELF-LOCKING	1	1	1	1	
7	90387-127G8	COLLAR	2	2	2	2	
8	90105-12028	BOLT, FLANGE	1	1	1	1	
9	95607-12200	NUT, SELF-LOCKING	1	1	1	1	
10	90387-12020	COLLAR	1	1	1	1	

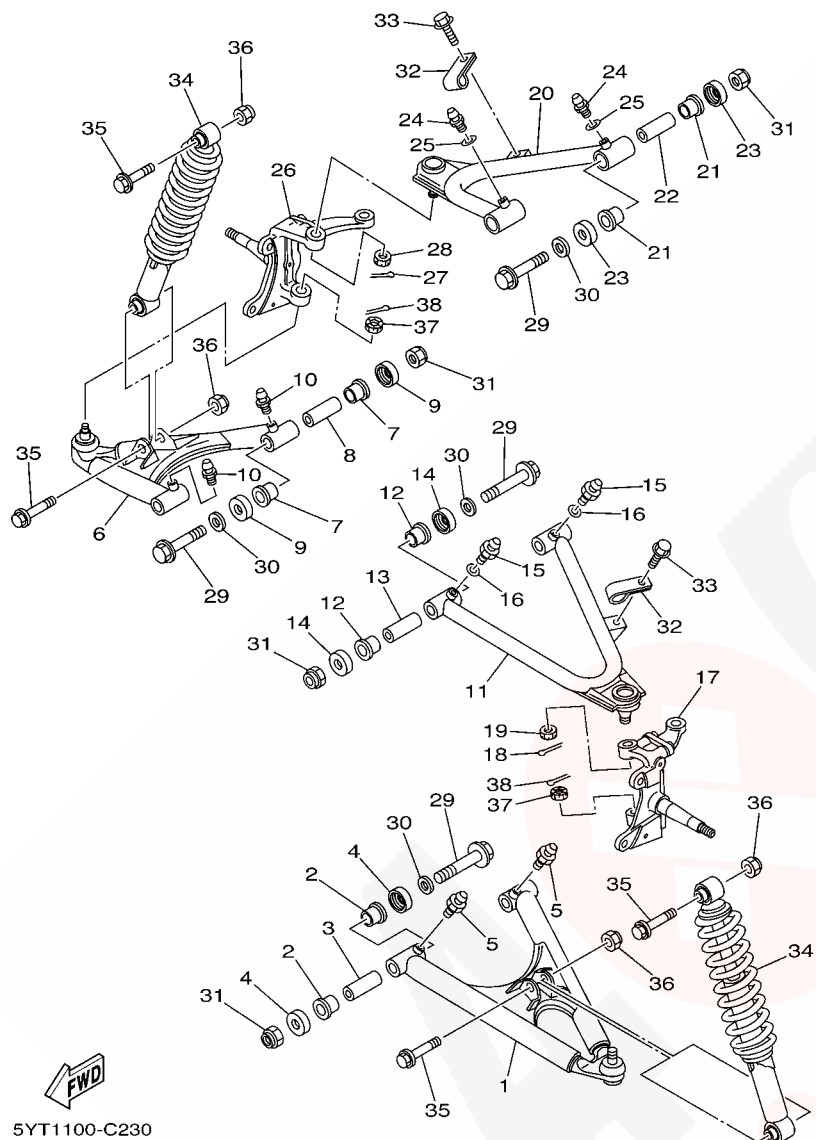
FIG. 22 STEERING



5YT1100-C220

REF. NO.	PART NO.	DESCRIPTION	USA	CAN	EUR	OCE	REMARKS
1	5YT-23813-10	COLUMN, STEERING 2	1	1	1	1	
2	3GD-23831-00	ROD, TIE	2	2	2	2	
3	1UY-23841-01	JOINT, UNIVERSAL 1	2	2	2	2	
4	1UY-23845-01	JOINT, UNIVERSAL 2	2	2	2	2	
5	95302-10700	NUT	2	2	2	2	
6	90170-10010	NUT	2	2	2	2	(L.H. THREAD)
7	90171-10046	NUT, CASTLE	2	2	2	2	
8	91401-20020	PIN, COTTER	2	2	2	2	
9	8K1-23814-00	HOLDER, HANDLE	2	2	2	2	
10	95822-08030	BOLT, FLANGE	4	4	4	4	
11	1UY-23812-00	PLANE BEARING, STEERING	2	2	2	2	
12	93112-31011	OIL SEAL	2	2	2	2	
13	5YT-23868-00	BRACKET, STEERING LOWER	1	1	1	1	
14	97022-08060	BOLT	2	2	2	2	
15	1UY-23894-01	WASHER, LOCK 1	1	1	1	1	
16	90387-090R0	COLLAR	2	2	2	2	
17	90201-10774	WASHER, PLATE	1	1	1	1	
18	90185-10115	NUT, SELF-LOCKING	1	1	1	1	
19	90468-16191	CLIP	1	1	1	1	
20	90387-176R6	COLLAR	1	1	1	1	
21	90171-10001	NUT, CASTLE	2	2	2	2	
22	91401-20020	PIN, COTTER	2	2	2	2	

FIG. 23 FRONT SUSPENSION & WHEEL

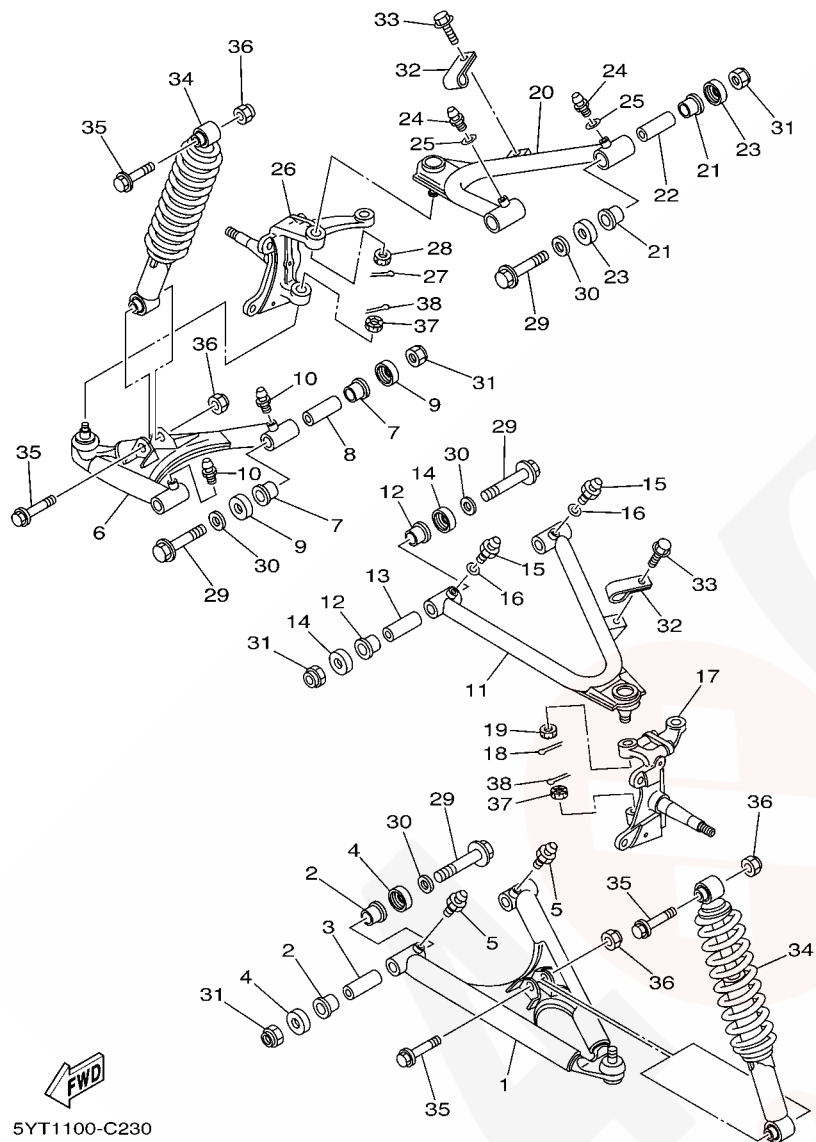


5YT1100-C230

REF. NO.	PART NO.	DESCRIPTION	USA	CAN	EUR	OCE	REMARKS
1	3GD-23570-10	FRONT LOWER ARM COMP. (LEFT)	1	1	1	1	
2	90381-15088	BUSH, SOLID	4	4	4	4	
3	90387-101R3	COLLAR	2	2	2	2	
4	5YT-23517-00	COVER, THRUST 1	4	4	4	4	
5	93700-06004	NIPPLE, GREASE	2	2	2	2	
6	3GD-23580-10	FRONT LOWER ARM COMP. (RIGHT)	1	1	1	1	
7	90381-15088	BUSH, SOLID	4	4	4	4	
8	90387-101R3	COLLAR	2	2	2	2	
9	5YT-23517-00	COVER, THRUST 1	4	4	4	4	
10	93700-06004	NIPPLE, GREASE	2	2	2	2	
11	3GD-23540-10	FRONT UPPER ARM COMP. (LEFT)	1	1	1	1	
12	90381-15088	BUSH, SOLID	4	4	4	4	
13	90387-101R3	COLLAR	2	2	2	2	
14	5YT-23517-00	COVER, THRUST 1	4	4	4	4	
15	93700-06004	NIPPLE, GREASE	2	2	2	2	
16	90201-063F3	WASHER, PLATE	2	2	2	2	
17	3GD-23501-00	STEERING KNUCKLE ASSY (LEFT)	1	1	1	1	
18	91401-20020	PIN, COTTER	1	1	1	1	
19	90171-10046	NUT, CASTLE	1	1	1	1	
20	3GD-23550-10	FRONT UPPER ARM COMP. (RIGHT)	1	1	1	1	
21	90381-15088	BUSH, SOLID	4	4	4	4	
22	90387-101R3	COLLAR	2	2	2	2	
23	5YT-23517-00	COVER, THRUST 1	4	4	4	4	
24	93700-06004	NIPPLE, GREASE	2	2	2	2	
25	90201-063F3	WASHER, PLATE	2	2	2	2	
26	3GD-23502-00	STEERING KNUCKLE ASSY (RIGHT)	1	1	1	1	
27	91401-20020	PIN, COTTER	1	1	1	1	

D5

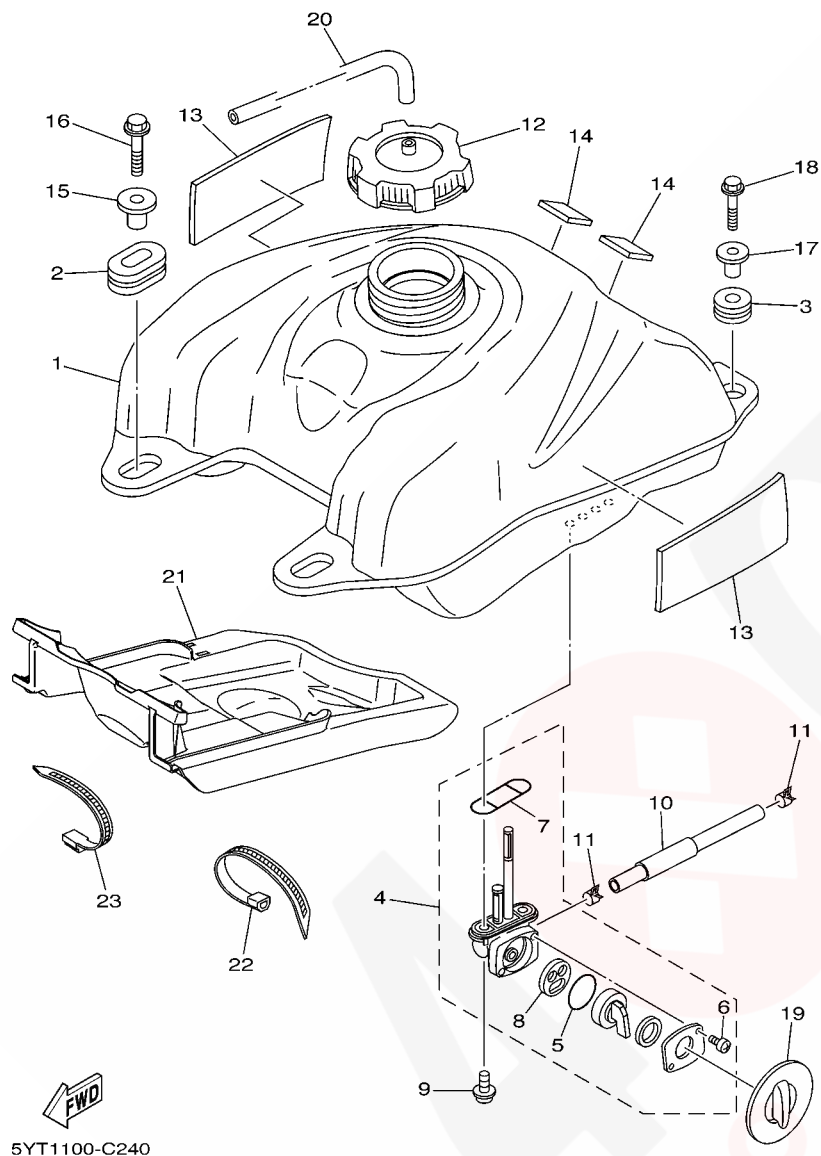
FIG. 23 FRONT SUSPENSION & WHEEL



REF. NO.	PART NO.	DESCRIPTION	USA	CAN	EUR	OCE	REMARKS
28	90171-10046	NUT, CASTLE	1	1	1	1	
29	90105-10135	BOLT, FLANGE	8	8	8	8	
30	90201-10037	WASHER, PLATE	8	8	8	8	
31	90185-10012	NUT, SELF-LOCKING	8	8	8	8	
32	5VM-25886-10	HOLDER, BRAKE HOSE	2	2	2	2	
33	95822-06016	BOLT, FLANGE	2	2	2	2	
34	5YT-23350-10	SHOCK ABSORBER ASSY	2	2	2	2	
35	90105-10131	BOLT, FLANGE	4	4	4	4	
36	90185-10012	NUT, SELF-LOCKING	4	4	4	4	
37	90171-10001	NUT, CASTLE	2	2	2	2	
38	91401-20020	PIN, COTTER	2	2	2	2	

D6

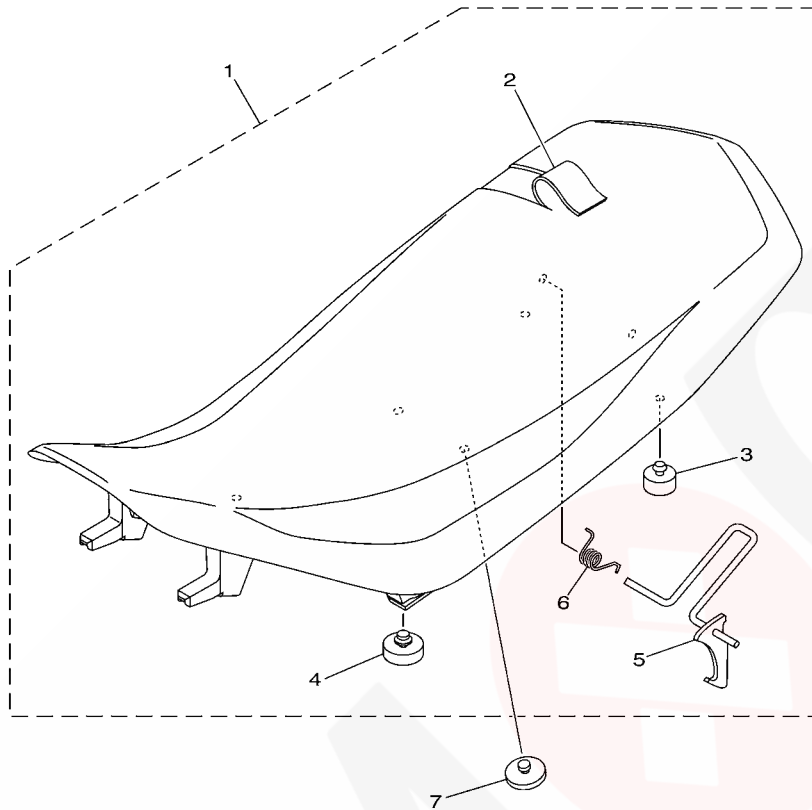
FIG. 24 FUEL TANK



REF. NO.	PART NO.	DESCRIPTION	USA	CAN	EUR	OCE	REMARKS
1	5YT-24110-00	FUEL TANK COMP.	1	1	1	1	
2	90480-01400	GROMMET	2	2	2	2	
3	90480-18290	GROMMET	2	2	2	2	
4	21V-24500-11	FUEL COCK ASSY 1	1	1	1	1	
5	3AJ-24534-01	.SEAL, COCK	1	1	1	1	
6	98507-03008	.SCREW, PAN HEAD	2	2	2	2	
7	4X8-24512-00	.O-RING	1	1	1	1	
8	3AC-24523-00	.VALVE PACKING	1	1	1	1	
9	90149-06011	SCREW	2	2	2	2	
10	5YT-24311-00	PIPE, FUEL 1	1	1	1	1	
11	90467-10038	CLIP	2	2	2	2	
12	5KM-24610-00	CAP ASSY	1	1	1	1	
13	5TG-21541-00	DAMPER 1	2	2	2	2	
14	5YT-24665-00	DAMPER	2	2	2	2	
15	90387-07021	COLLAR	2	2	2	2	
16	95802-06030	BOLT, FLANGE	2	2	2	2	
17	90387-066J1	COLLAR	2	2	2	2	
18	95802-06030	BOLT, FLANGE	2	2	2	2	
19	5YT-24524-00	LEVER, COCK	1	1	1	1	
20	90445-084J1	HOSE (L420)	1	1	1	1	
21	5YT-2414H-00	DAMPER, PLATE 1	1	1	1	1	
22	90464-15195	CLAMP	1	1	1	1	
23	90464-13073	CLAMP	1	1	1	1	

D7

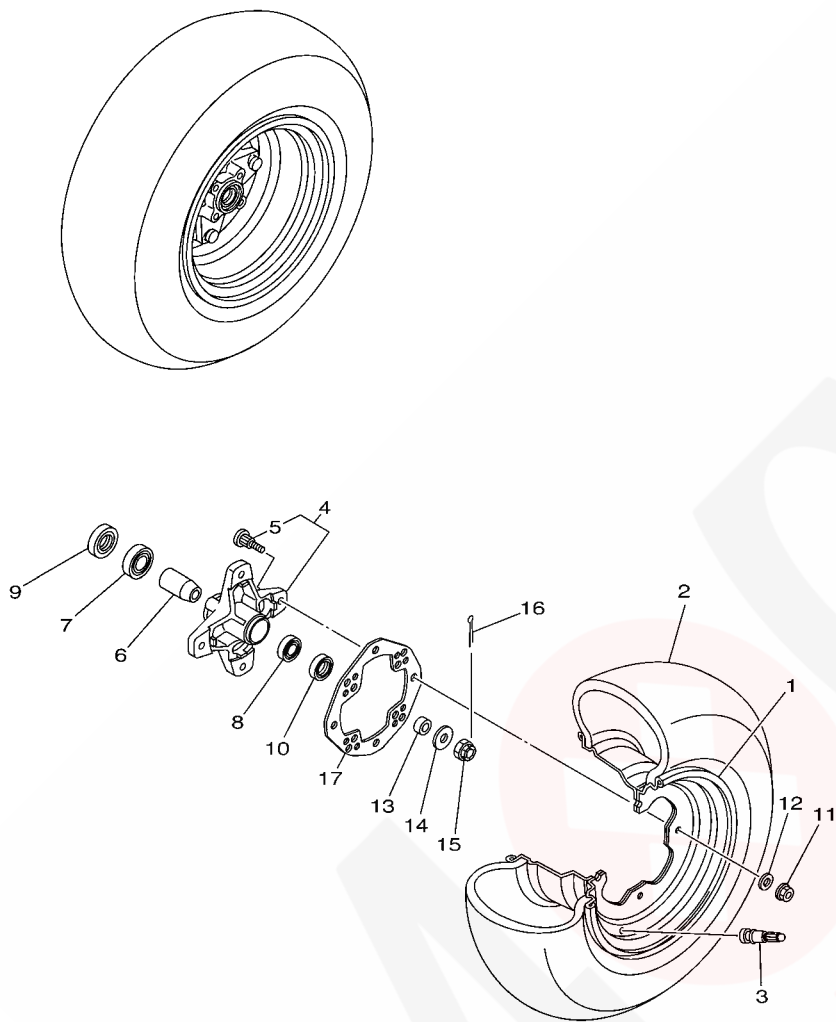
FIG. 25 SEAT



REF. NO.	PART NO.	DESCRIPTION	USA	CAN	EUR	OCE	REMARKS
1	5YT-24710-20	SINGLE SEAT ASSY	1	1	1	1	
2	5YT-2470F-20	.SEAT COVER COMP.	1	1	1	1	
3	371-27114-00	.STOPPER, MAIN STAND	2	2	2	2	
4	509-24724-00	.DAMPER, SEAT	2	2	2	2	
5	5YT-24776-00	.LEVER, SEAT	1	1	1	1	
6	90508-23567	.SPRING, TORSION	1	1	1	1	
7	214-24724-00	DAMPER, SEAT	2	2	2	2	

 5YT1100-C250

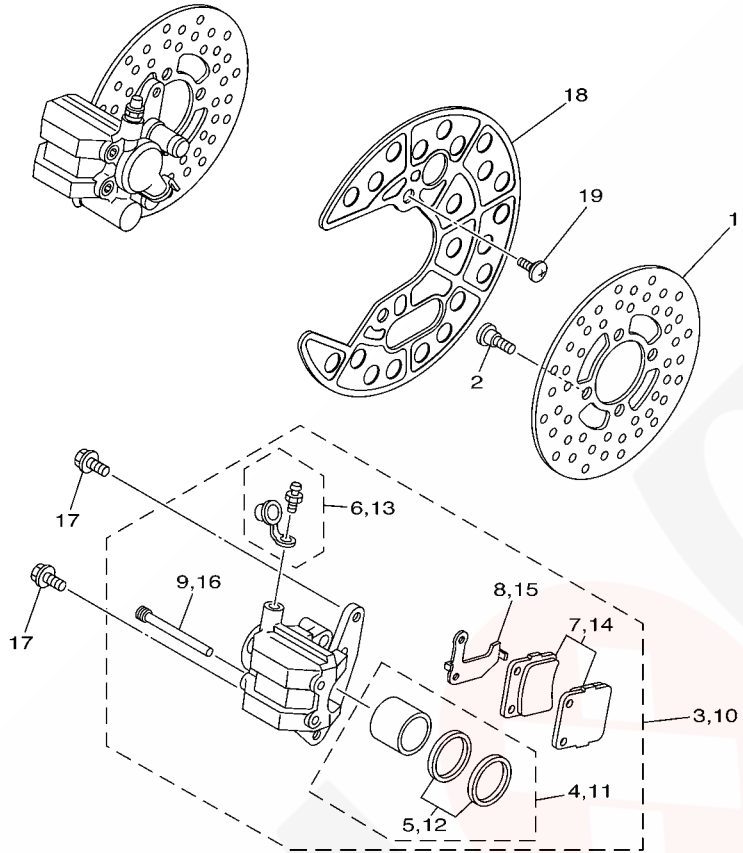
FIG. 26 FRONT WHEEL




5YT1100-C260

REF. NO.	PART NO.	DESCRIPTION	USA	CAN	EUR	OCE	REMARKS
1	5LP-25180-20	WHEEL COMP.	2	2	2	2	
2	94107-10020	TIRE (AT21X7-10 KT851B T/L)	2	2	2	2	DUNLOP
3	93900-00022	VALVE, RIM (TR413)	2	2	2	2	TAIHEIYO
4	3GD-25111-01-98	HUB, FRONT	2	2	2	2	LGB FOR BWS1
5	90114-10007	.BOLT, SERRATION	4	4	4	4	
6	1UY-25117-00	SPACER, BEARING	2	2	2	2	
7	93306-00446	BEARING	2	2	2	2	
8	93306-20231	BEARING	2	2	2	2	
9	93105-26026	OIL SEAL	2	2	2	2	
10	93102-22216	OIL SEAL	2	2	2	2	
11	95702-10500	NUT, FLANGE	8	8	8	8	
12	92902-10200	WASHER	8	8	8	8	
13	90387-150R1	COLLAR	2	2	2	2	
14	90201-14586	WASHER, PLATE	2	2	2	2	
15	90171-14002	NUT, CASTLE	2	2	2	2	
16	91401-30025	PIN, SPLIT	2	2	2	2	
17	1S3-25127-00	COVER, PLATE	2	2	2	2	

D9



5YT1100-C270

FIG. 27 FRONT BRAKE CALIPER

REF. NO.	PART NO.	DESCRIPTION	USA	CAN	EUR	OCE	REMARKS
1	3GD-2582T-10	DISC, BRAKE (LEFT)	2	2	2	2	
2	90149-08268	SCREW	8	8	8	8	
3	5LP-2580T-00	CALIPER ASSY (LEFT)	1	1	1	1	
4	3GD-W0057-00	.PISTON ASSY, CALIPER	1	1	1	1	
5	3GD-W0047-00	..CALIPER SEAL KIT	1	1	1	1	
6	1UY-W0048-50	..BLEED SCREW KIT	1	1	1	1	
7	5LP-W0045-00	..BRAKE PAD KIT	1	1	1	1	
8	3GD-25827-00	..SHIM, CALIPER	1	1	1	1	
9	3GD-25933-00	..PIN, PAD	2	2	2	2	
10	5LP-2580U-00	CALIPER ASSY (RIGHT)	1	1	1	1	
11	3GD-W0057-00	..PISTON ASSY, CALIPER	1	1	1	1	
12	3GD-W0047-00	..CALIPER SEAL KIT	1	1	1	1	
13	1UY-W0048-50	..BLEED SCREW KIT	1	1	1	1	
14	5LP-W0045-00	..BRAKE PAD KIT	1	1	1	1	
15	3GD-25828-00	..SHIM, CALIPER	1	1	1	1	
16	3GD-25933-00	..PIN, PAD	2	2	2	2	
17	90105-08538	BOLT, FLANGE	4	4	4	4	
18	5YT-2514A-00	RING, WHEEL 1 (LEFT)	2	2	2	2	
19	90154-06014	SCREW, BINDING	4	4	4	4	

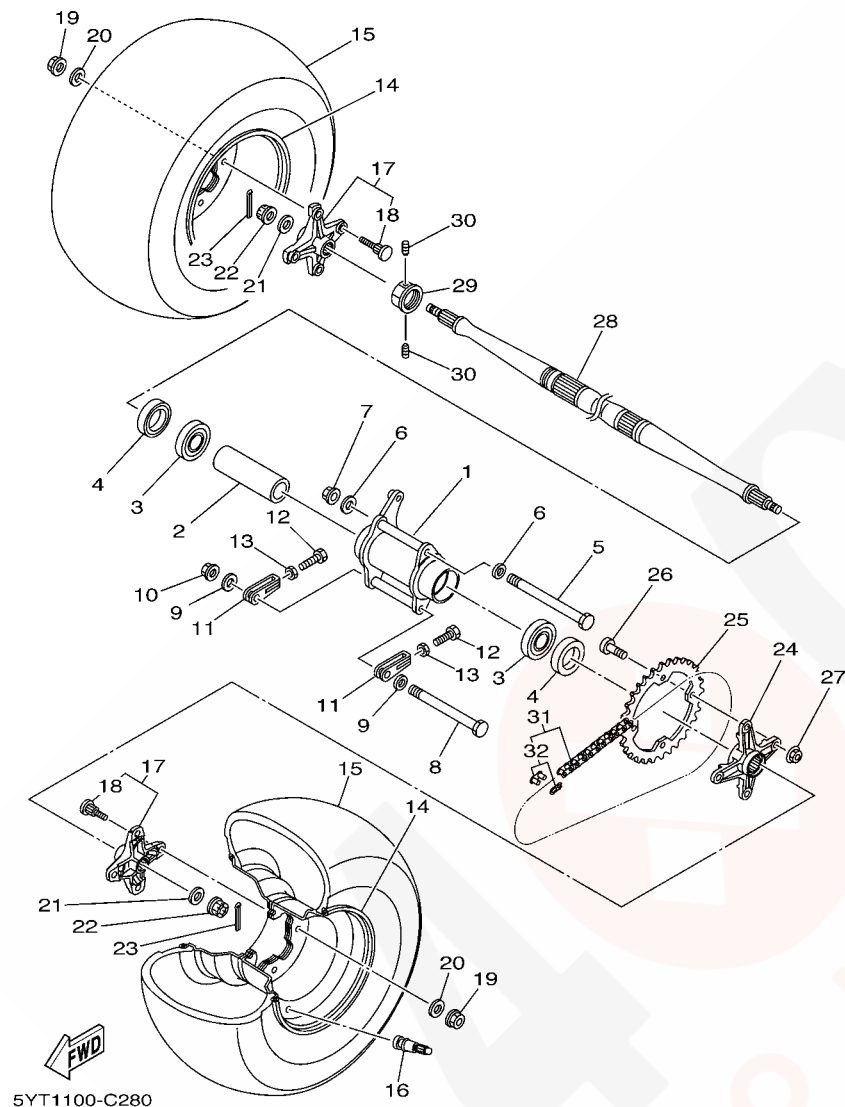
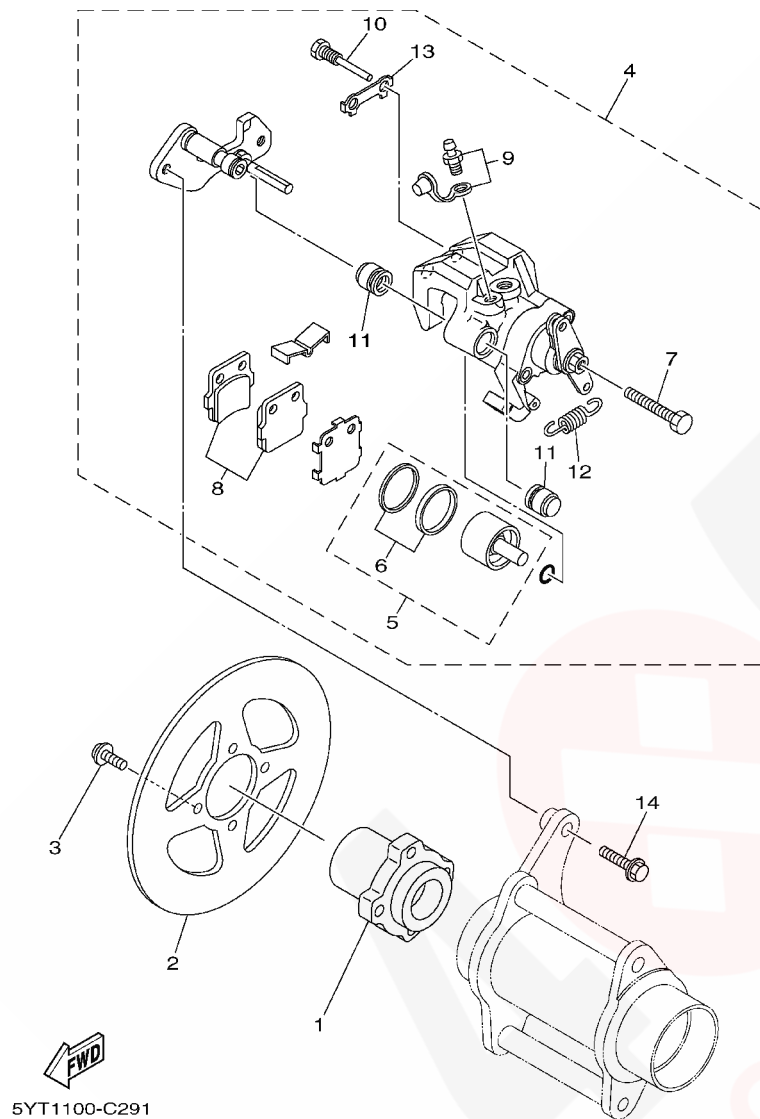


FIG. 28 REAR WHEEL

REF. NO.	PART NO.	DESCRIPTION	USA	CAN	EUR	OCE	REMARKS
1	5YT-25311-00	HUB, REAR	1	1	1	1	
2	5YT-25317-00	SPACER, BEARING	1	1	1	1	
3	93306-00710	BEARING	2	2	2	2	
4	93106-46001	OIL SEAL	2	2	2	2	
5	90101-12695	BOLT	1	1	1	1	
6	90201-126A7	WASHER, PLATE	2	2	2	2	
7	90179-12588	NUT	1	1	1	1	
8	90101-10689	BOLT	1	1	1	1	
9	90201-106F2	WASHER, PLATE	2	2	2	2	
10	90179-10247	NUT	1	1	1	1	
11	3GD-25388-00	PULLER, CHAIN 1	2	2	2	2	
12	90101-08777	BOLT	2	2	2	2	
13	95307-08600	NUT	2	2	2	2	
14	5LP-25390-20	REAR WHEEL COMP.	2	2	2	2	
15	94110-09020	TIRE (AT20X10-9 KT877 T/L)	2	2	2	2	DUNLOP
16	93900-00022	VALVE, RIM (TR413)	2	2	2	2	TAIHEIYO
17	1S3-25383-10	COLLAR, WHEEL	2	2	2	2	
18	90114-10013	.BOLT, SERRATION	4	4	4	4	
19	95702-10500	NUT, FLANGE	8	8	8	8	
20	92902-10200	WASHER	8	8	8	8	
21	90201-14021	WASHER, PLATE	2	2	2	2	
22	90171-14004	NUT, CASTLE	2	2	2	2	
23	91401-30030	PIN, COTTER	2	2	2	2	
24	5YT-25386-00	COLLAR, SPROCKET AXLE	1	1	1	1	
25	5TG-25438-10	SPROCKET, DRIVEN (38T)	1	1	1	1	
26	90109-10013	BOLT	4	4	4	4	
27	90185-10011	NUT, SELF-LOCKING	4	4	4	4	

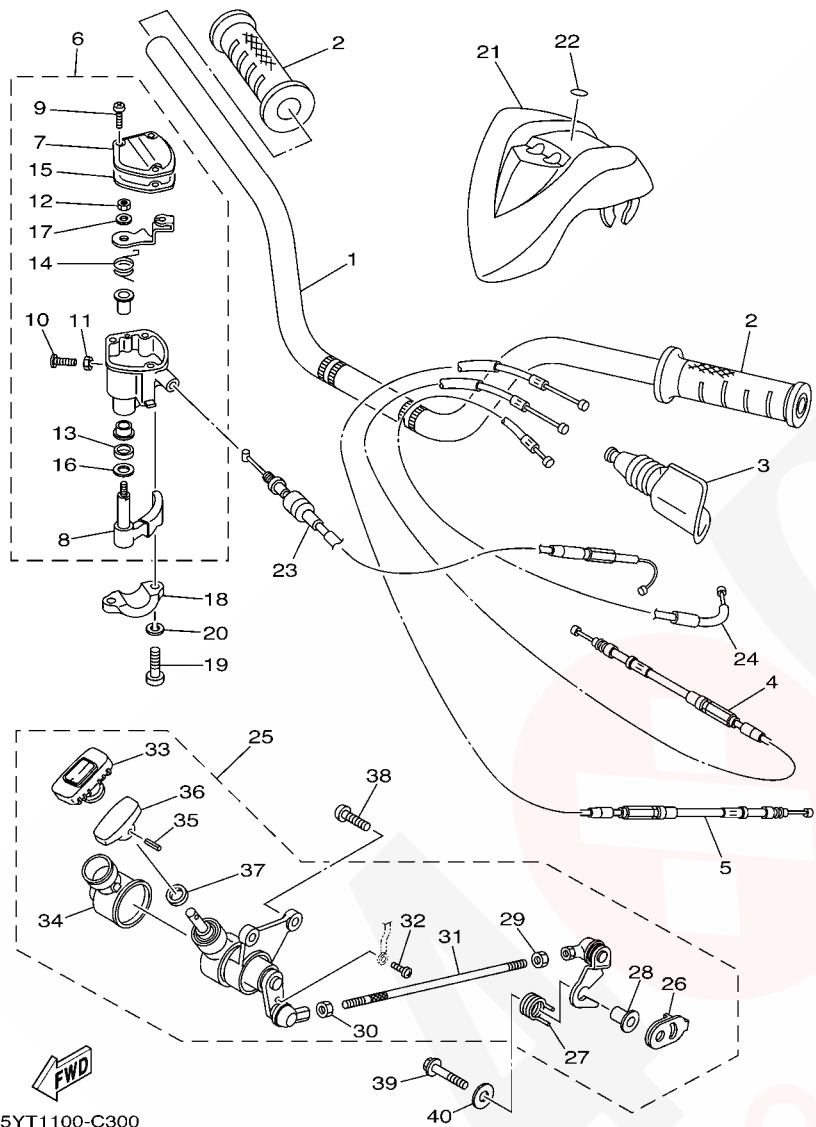
FIG. 29 REAR BRAKE



REF. NO.	PART NO.	DESCRIPTION	USA	CAN	EUR	OCE	REMARKS
1	5YT-25712-00	BRACKET, DISC	1	1	1	1	
2	5TG-2582W-00	DISK, REAR BRAKE 2	1	1	1	1	
3	90109-081F0	BOLT	4	4	4	4	
4	5YT-2580W-00	CALIPER ASSY, REAR 2	1	1	1	1	
5	5LP-W0057-50	.PISTON ASSY, CALIPER	1	1	1	1	
6	5LP-W0047-50	..CALIPER SEAL KIT	1	1	1	1	
7	1UY-25972-51	.ADJUSTBOLT	1	1	1	1	
8	5LP-W0046-50	.BRAKE PAD KIT 2	1	1	1	1	
9	1UY-W0048-50	.BLEED SCREW KIT	1	1	1	1	
10	1UY-25924-51	.PIN, PAD	2	2	2	2	
11	1UY-25917-51	.BOOT, CALIPER	2	2	2	2	
12	5YT-25977-50	.SPRING, RETURN	1	1	1	1	
13	1UY-25933-51	.WASHER, PAD PIN	1	1	1	1	
14	90105-08440	BOLT, FLANGE	2	2	2	2	

5YT1100-C291

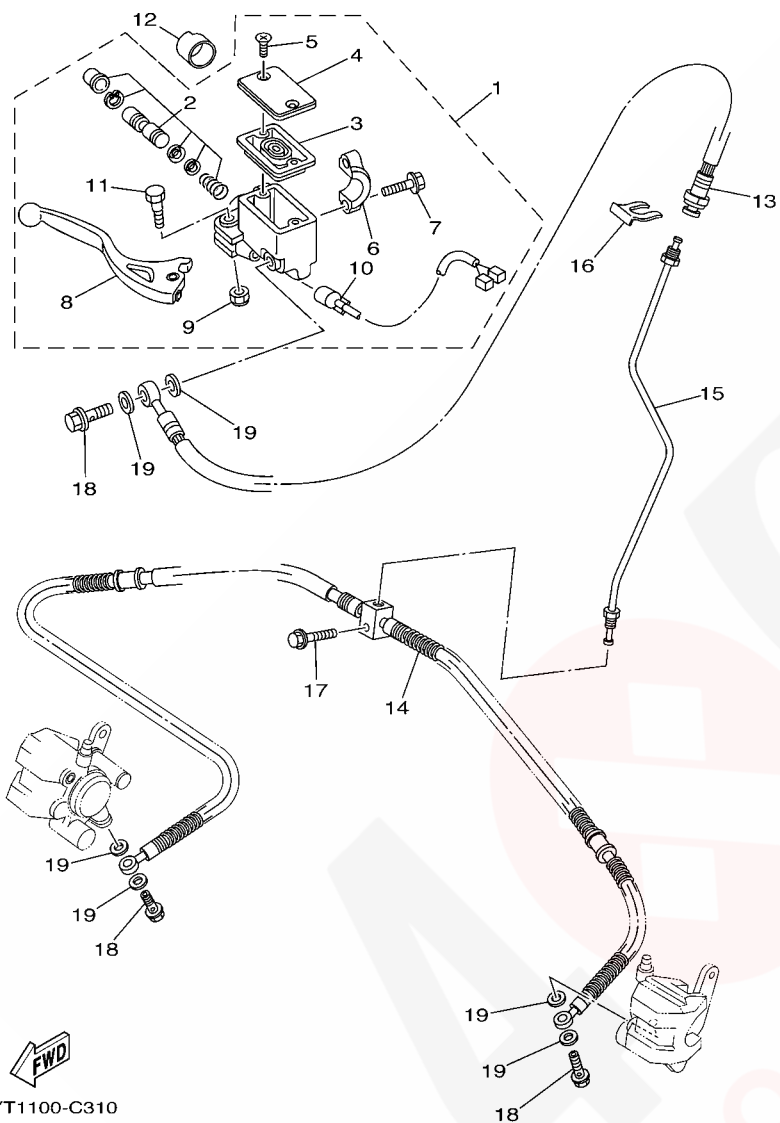
FIG. 30 STEERING HANDLE & CABLE



5YT1100-C300

REF. NO.	PART NO.	DESCRIPTION	USA	CAN	EUR	OCE	REMARKS
28	90387-063W7	.COLLAR	1	1	1	1	
29	95317-06700	.NUT	1	1	1	1	
30	90170-06289	.NUT	1	1	1	1	
31	3GD-26166-10	.ROD, JOINT	1	1	1	1	
32	98507-04008	.SCREW, PAN HEAD	1	1	1	1	
33	1UY-26153-00	.GRIP, LEVER	1	1	1	1	
34	1UY-26372-00	.COVER, HANDLE LEVER 1	1	1	1	1	
35	91609-40016	.PIN, SPRING	1	1	1	1	
36	1UY-26157-00	.LEVER, LOCK	1	1	1	1	
37	93109-08050	.OIL SEAL	1	1	1	1	
38	92012-08020	BOLT, BUTTON HEAD	2	2	2	2	
39	95812-06035	BOLT, FLANGE	1	1	1	1	
40	90201-06036	WASHER, PLATE	1	1	1	1	

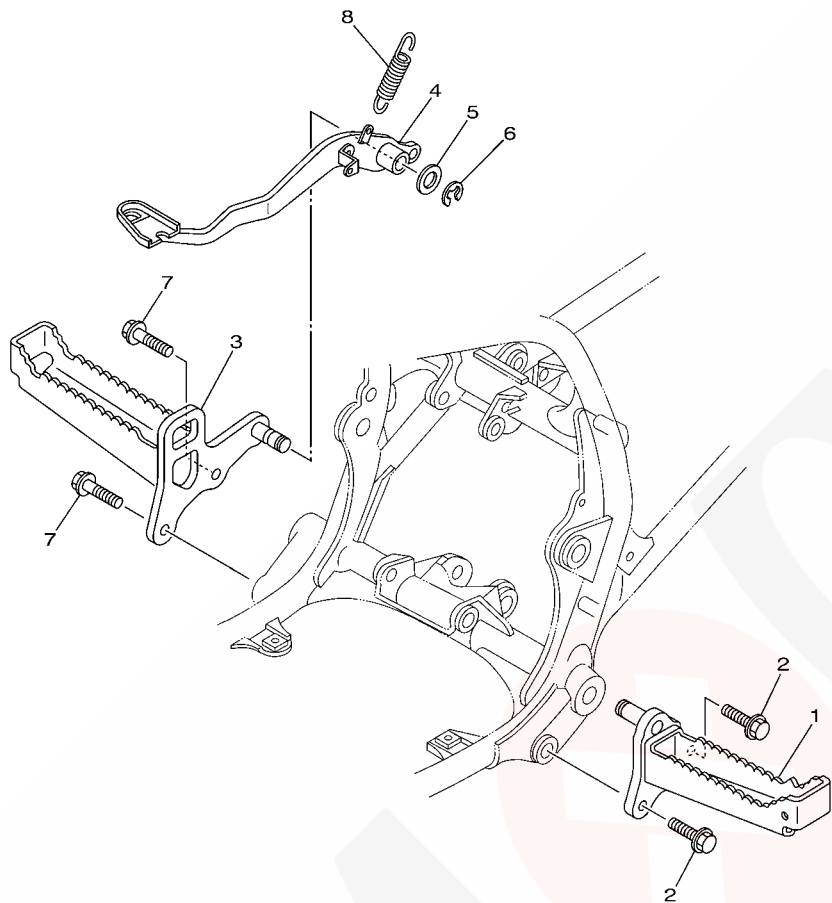
FIG. 31 FRONT MASTER CYLINDER



5YT1100-C310

REF. NO.	PART NO.	DESCRIPTION	USA	CAN	EUR	OCE	REMARKS
1	5LP-2583T-01	MASTER CYLINDER ASSY	1	1	1	1	
2	5LP-W0041-00	.CYLINDER KIT, MASTER	1	1	1	1	
3	4L0-25854-00	.DIAPHRAGM, RESERVOIR	1	1	1	1	
4	5LP-25852-01	.CAP, RESERVOIR	1	1	1	1	
5	4NK-2589H-00	.SCREW	2	2	2	2	
6	5LP-25867-00	.BRACKET, MASTER CYLINDER	1	1	1	1	
7	5MV-25833-00	.BOLT, FITTING	2	2	2	2	
8	5LP-83922-00	.LEVER 2	1	1	1	1	
9	95604-06100	.NUT, U	1	1	1	1	
10	5LP-83980-00	.FRONT STOP SWITCH ASSY	1	1	1	1	
11	5MV-2589F-00	.BOLT, LEVER	1	1	1	1	
12	1UY-26259-00	COLLAR	1	1	1	1	
13	5YT-25872-00	HOSE, BRAKE 1	1	1	1	1	
14	5YT-25873-00	HOSE, BRAKE 2	1	1	1	1	
15	5YT-25871-00	PIPE, BRAKE	1	1	1	1	
16	2GU-25866-00	CIRCLIP	1	1	1	1	
17	95827-06025	BOLT, FLANGE	1	1	1	1	
18	90401-10159	BOLT, UNION	3	3	3	3	
19	90201-10118	WASHER, PLATE	6	6	6	6	

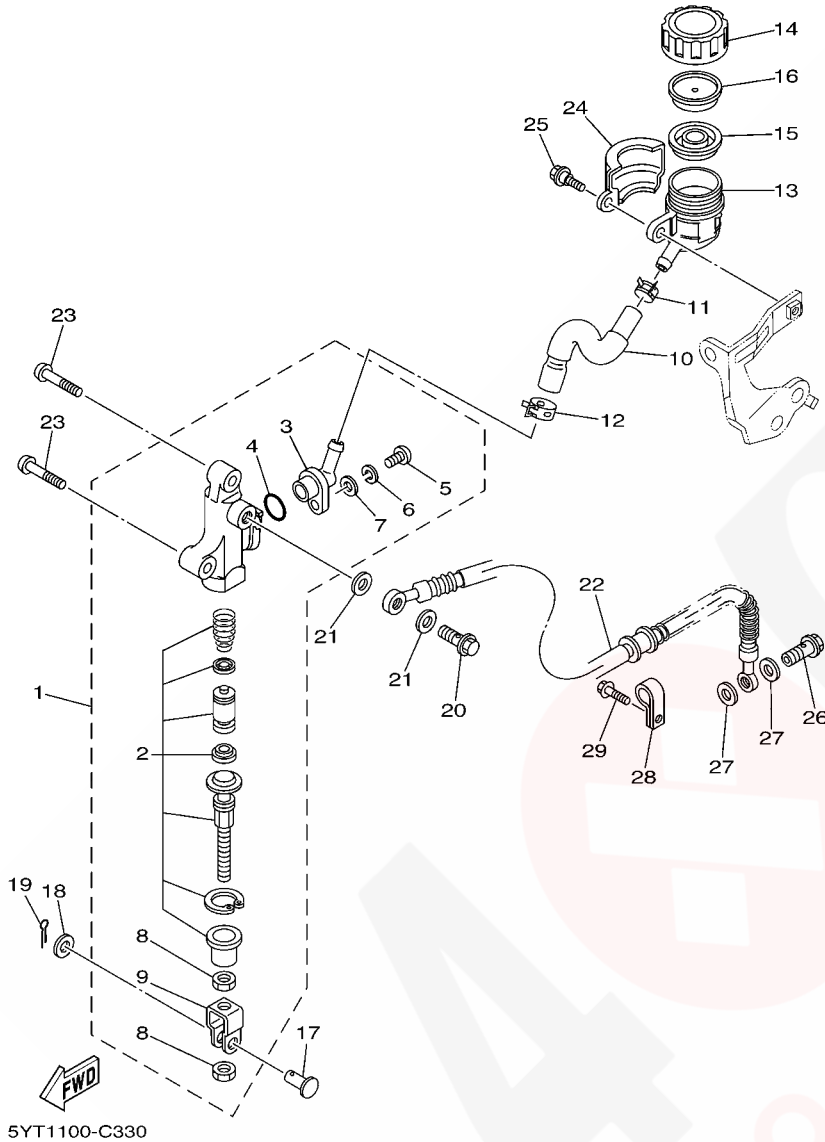
FIG. 32 STAND & FOOTREST



5YT1100-C320

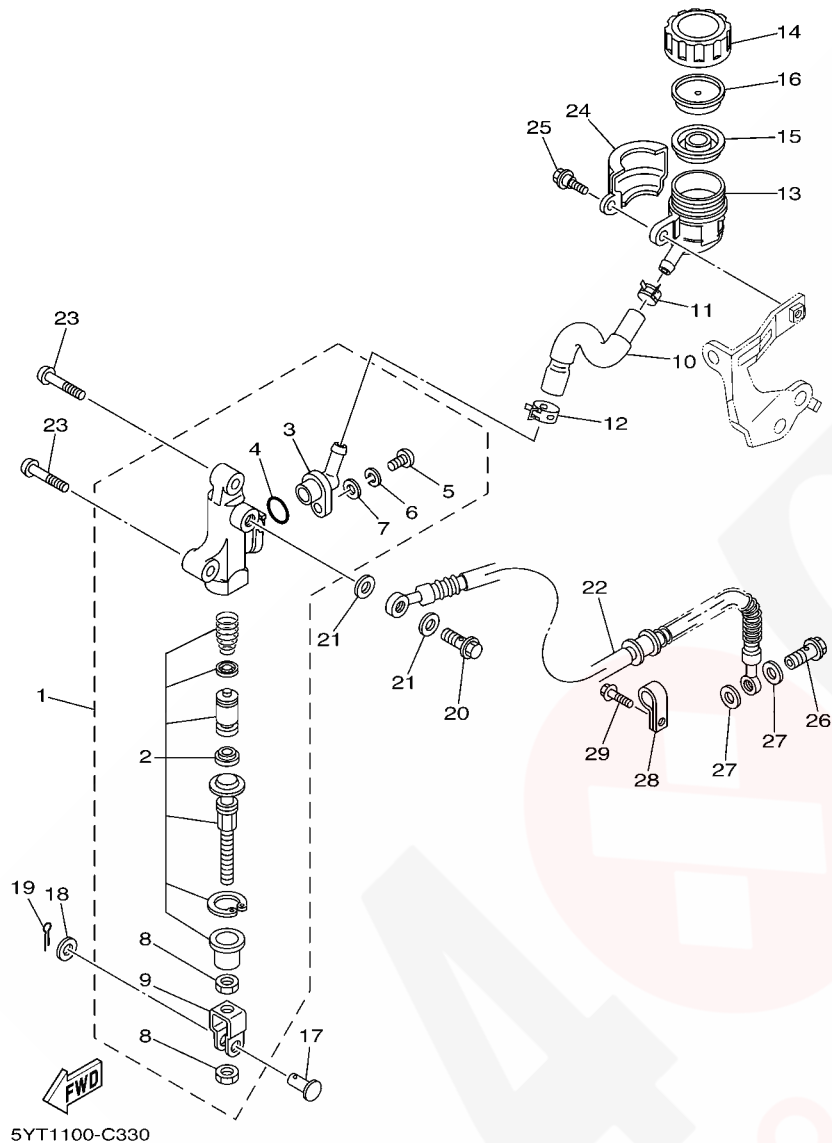
REF. NO.	PART NO.	DESCRIPTION	USA	CAN	EUR	OCE	REMARKS
1	5YT-27411-00	FOOTREST 1	1	1	1	1	
2	95817-10025	BOLT, FLANGE	2	2	2	2	
3	5YT-27421-00	FOOTREST 2	1	1	1	1	
4	5YT-27211-10	PEDAL, BRAKE	1	1	1	1	
5	90201-15018	WASHER, PLATE	1	1	1	1	
6	93430-12008	CIRCLIP	1	1	1	1	
7	95817-10025	BOLT, FLANGE	2	2	2	2	
8	90506-20380	SPRING, TENSION	1	1	1	1	

FIG. 33 REAR MASTER CYLINDER



REF. NO.	PART NO.	DESCRIPTION	USA	CAN	EUR	OCE	REMARKS
1	5YT-2583V-00	RR. MASTER CYLINDER ASSY.	1	1	1	1	
2	5FK-W0042-50	.CYLINDER KIT, MASTER	1	1	1	1	
3	47X-2582A-50	.JOINT	1	1	1	1	
4	93210-15620	.O-RING	1	1	1	1	
5	98506-04012	.SCREW, PAN HEAD	1	1	1	1	
6	92906-04100	.WASHER, SPRING	1	1	1	1	
7	92906-04600	.WASHER, PLATE	1	1	1	1	
8	4SS-27218-00	.NUT	2	2	2	2	
9	2YK-27222-00	.JOINT	1	1	1	1	
10	5YT-25895-00	HOSE, RESERVOIR	1	1	1	1	
11	90467-11044	CLIP	1	1	1	1	
12	90467-14057	CLIP	1	1	1	1	
13	4EW-25894-00	TANK, RESERVOIR	1	1	1	1	
14	3XP-25852-50	CAP, RESERVOIR	1	1	1	1	
15	2VN-25854-00	DIAPHRAGM, RESERVOIR	1	1	1	1	
16	2VN-25855-00	BUSH,DIAPHRAGM	1	1	1	1	
17	90240-08005	PIN, CLEVIS	1	1	1	1	
18	90201-08066	WASHER, PLATE	1	1	1	1	
19	91401-16012	PIN, COTTER	1	1	1	1	
20	90401-10159	BOLT, UNION	1	1	1	1	
21	90201-10118	WASHER, PLATE	2	2	2	2	
22	5YT-25874-00	HOSE, BRAKE	1	1	1	1	
23	92017-08030	BOLT, BUTTON HEAD	2	2	2	2	
24	5YT-25888-00	COVER, RESERVOIR TANK	1	1	1	1	
25	90109-06060	BOLT	1	1	1	1	
26	90401-10159	BOLT, UNION	1	1	1	1	
27	90201-10118	WASHER, PLATE	2	2	2	2	

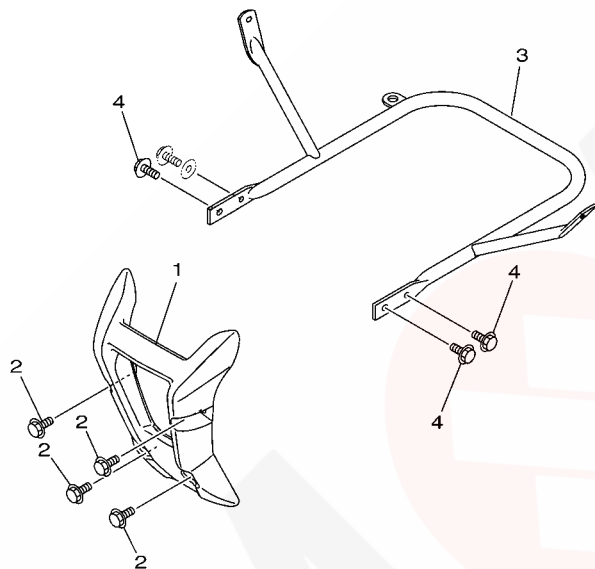
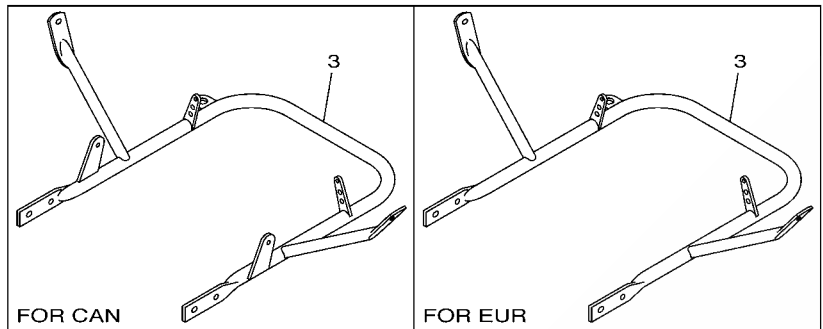
FIG. 33 REAR MASTER CYLINDER



REF. NO.	PART NO.	DESCRIPTION	USA	CAN	EUR	OCE	REMARKS
28	5YT-25876-00	HOLDER, BRAKE HOSE 2	1	1	1	1	
29	95807-06020	BOLT, FLANGE	1	1	1	1	

5YT1100-C330

FIG. 34 GUARD



5YT1100-C340

REF. NO.	PART NO.	DESCRIPTION	USA	CAN	EUR	OCE	REMARKS
1	5YT-2845N-00	BAR, CARRY FRONT	1	1	1	1	
2	90109-08100	BOLT	4	4	4	4	
3	5YT-2845R-00	BAR, CARRY REAR	1			1	
	5YT-2845R-10	BAR, CARRY REAR		1			
	5YT-2845R-20	BAR, CARRY REAR			1		
4	95812-08016	BOLT, FLANGE	3	3	3	3	

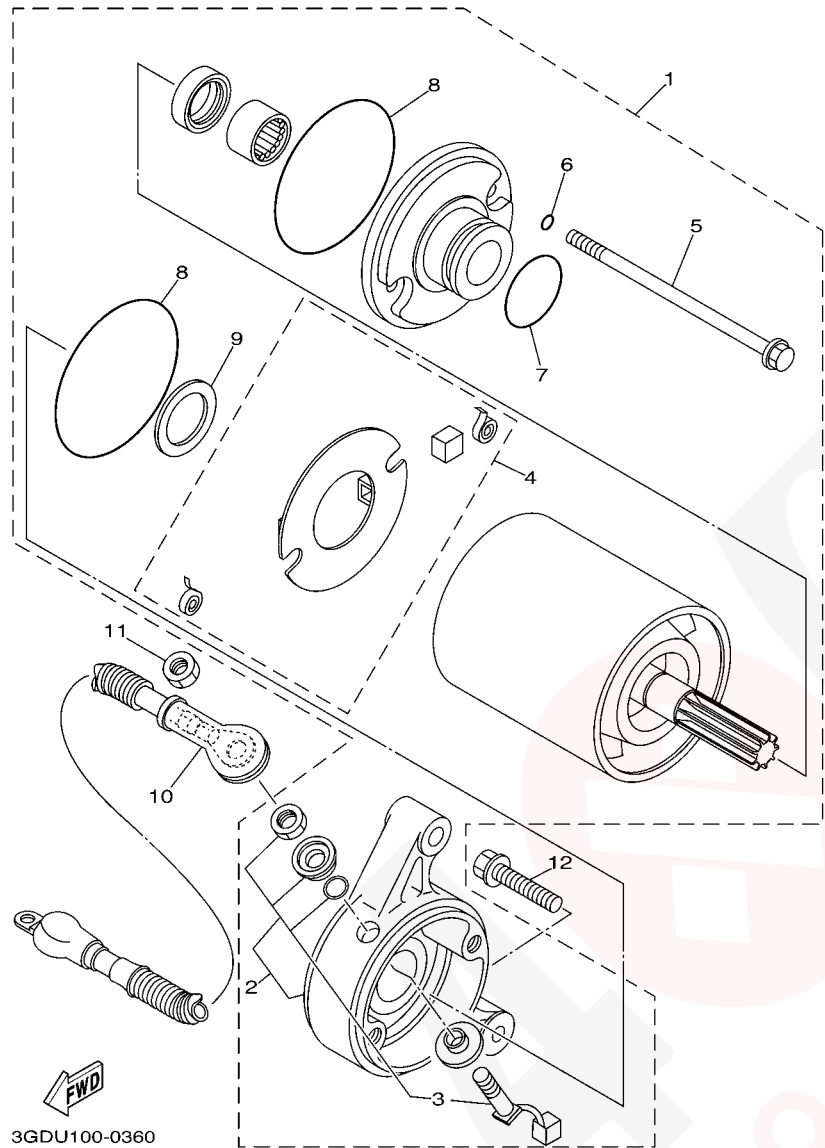
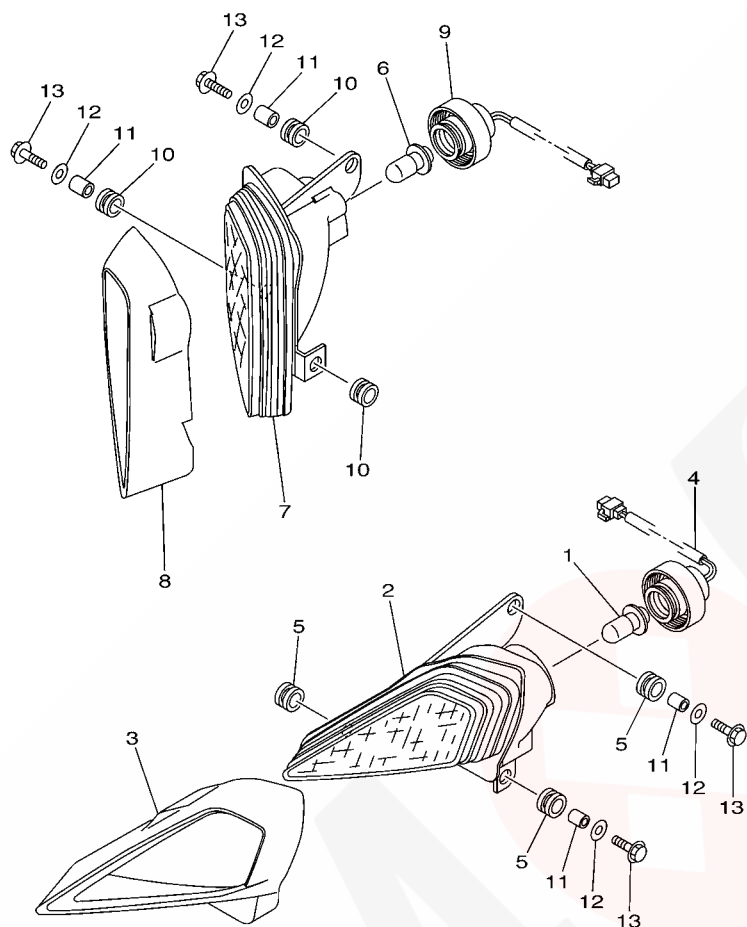


FIG. 36 STARTING MOTOR

REF. NO.	PART NO.	DESCRIPTION	USA	CAN	EUR	OCE	REMARKS
1	1UY-81890-00	MOTOR ASSY	1	1	1	1	
2	1UY-81820-51	.REAR BRACKET ASSY	1	1	1	1	
3	1UY-81818-50	..BRUSH AND BOLT	1	1	1	1	
4	8L6-81840-50	.BRUSH HOLDER ASSY	1	1	1	1	
5	3GD-81826-00	.BOLT, THROUGH	2	2	2	2	
6	8L6-81847-50	.O-RING	2	2	2	2	
7	1UY-81847-50	.O-RING	1	1	1	1	
8	4H7-81844-50	.O-RING	2	2	2	2	
9	4H7-81843-50	.WASHER 1	1	1	1	1	
10	5YT-81815-00	CORD, STARTER MOTOR	1	1	1	1	
11	95302-06600	NUT	1	1	1	1	
12	95027-06030	BOLT, FLANGE	2	2	2	2	

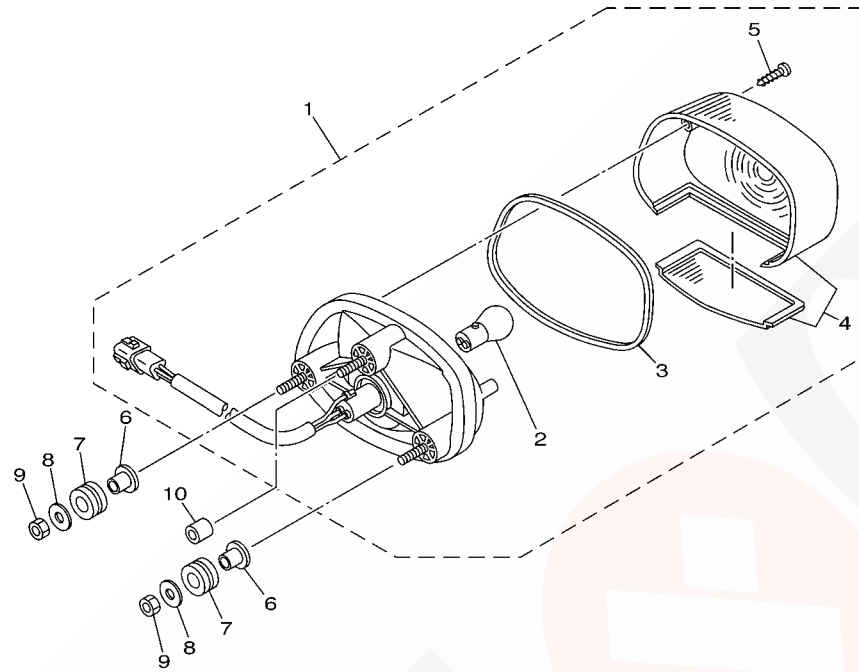
FIG. 37 HEADLIGHT



5YT1100-C370

REF. NO.	PART NO.	DESCRIPTION	USA	CAN	EUR	OCE	REMARKS
1	4KB-84314-01	BULB (12V-30/30W)	1	1	1	1	
2	5TG-84110-12	HEADLIGHT UNIT ASSY	1	1	1	1	
3	5TG-84165-01	RIM, HEADLIGHT COVER 1	1	1	1	1	
4	5TG-84140-01	SOCKET CORD ASSY	1	1	1	1	
5	90480-14102	GROMMET	3	3	3	3	
6	4KB-84314-01	BULB (12V-30/30W)	1	1	1	1	
7	5TG-84310-12	HEADLIGHT UNIT ASSY	1	1	1	1	
8	5TG-84166-01	RIM, HEADLIGHT COVER 2	1	1	1	1	
9	5TG-84340-01	SOCKET CORD ASSY 1	1	1	1	1	
10	90480-14102	GROMMET	3	3	3	3	
11	90387-07598	COLLAR	4	4	4	4	
12	90201-06557	WASHER, PLATE	4	4	4	4	
13	95807-06025	BOLT, FLANGE	4	4	4	4	

FIG. 38 TAILLIGHT

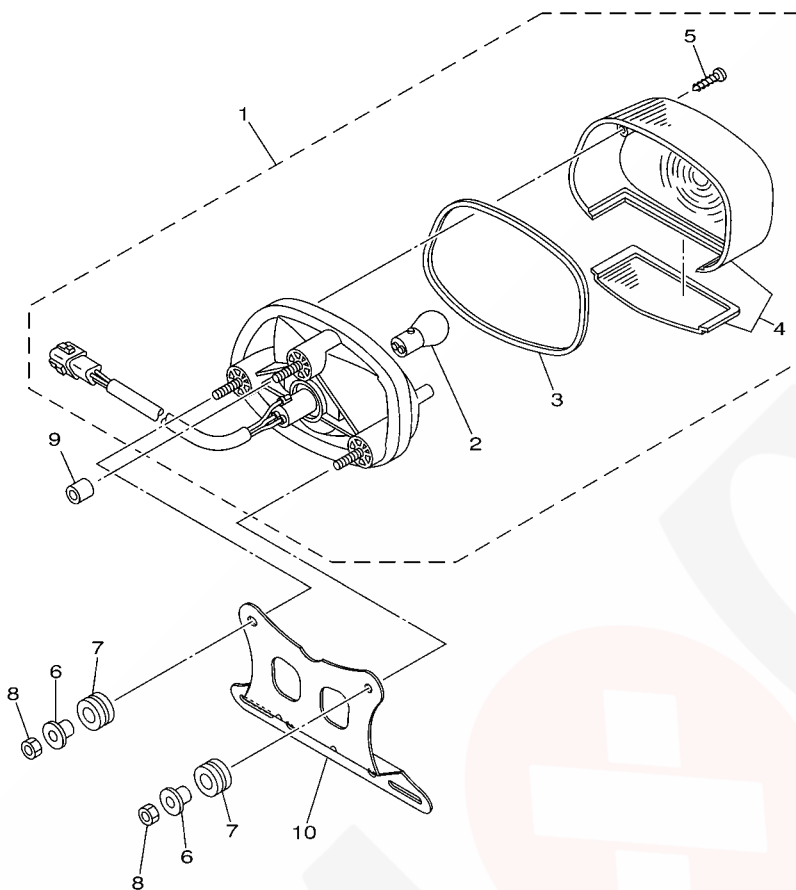


REF. NO.	PART NO.	DESCRIPTION	USA	CAN	EUR	OCE	REMARKS
1	5LP-84700-00	TAILLIGHT ASSY	1		1	1	
2	256-84714-60	.BULB (12V-21/5W)	1		1	1	
3	4TR-84723-00	.GASKET, TAIL LENS	1		1	1	
4	4TR-84733-00	.LENS, TAILLIGHT	1		1	1	
5	97706-40620	.SCREW, TAPPING	2		2	2	
6	90387-063E6	COLLAR	2		2	2	
7	90480-14555	GROMMET	2		2	2	
8	90201-06557	WASHER, PLATE	2		2	2	
9	95307-06600	NUT	2		2	2	
10	90445-09M32	HOSE (L9)	1		1	1	



5YT1100-C380

FIG. 39 TAILLIGHT 2



REF. NO.	PART NO.	DESCRIPTION	USA	CAN	EUR	OCE	REMARKS
1	5LP-84700-00	TAILLIGHT ASSY		1			
2	256-84714-60	.BULB (12V-21/5W)		1			
3	4TR-84723-00	.GASKET, TAIL LENS		1			
4	4TR-84733-00	.LENS, TAILLIGHT		1			
5	97706-40620	.SCREW, TAPPING		2			
6	90387-063E6	COLLAR		2			
7	90480-14555	GROMMET		2			
8	95307-06600	NUT		2			
9	90445-09M32	HOSE (L9)		1			
10	5YT-84751-00	BRACKET, LICENSE		1			



5YT1100-C390

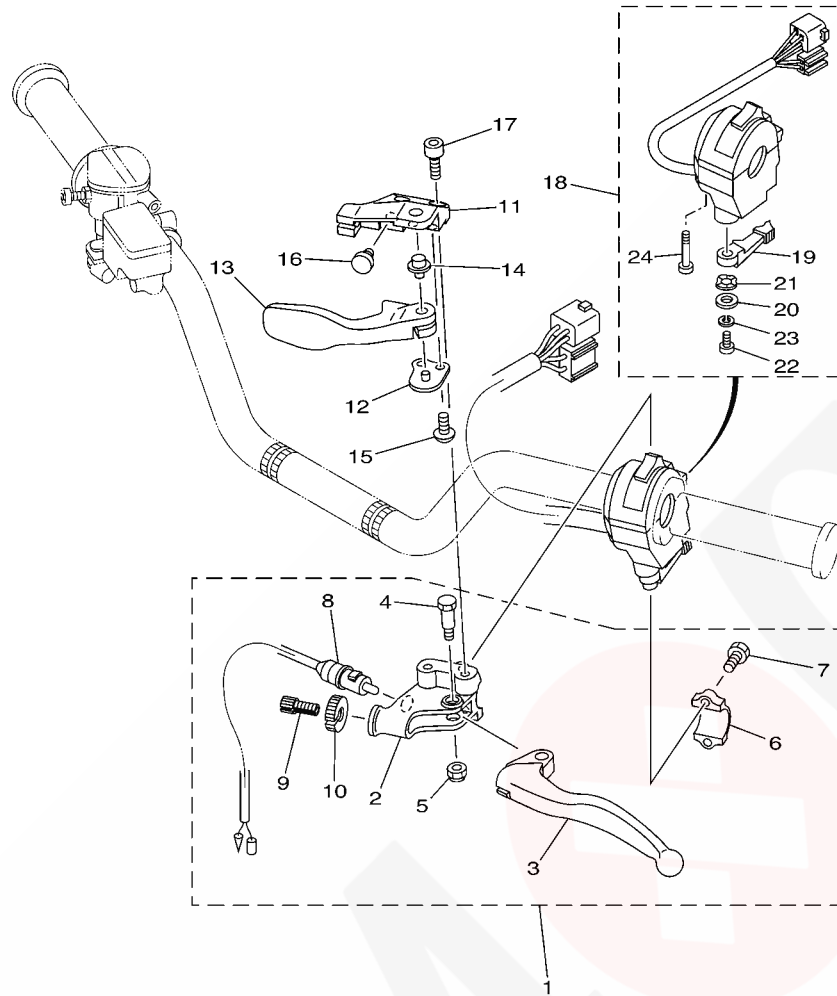


FIG. 40 HANDLE SWITCH & LEVER

REF. NO.	PART NO.	DESCRIPTION	USA	CAN	EUR	OCE	REMARKS
1	5YT-82910-00	LEVER HOLDER ASSY (LEFT)	1	1	1	1	
2	5YT-82911-00	.HOLDER, LEVER 1	1	1	1	1	
3	2HT-83912-00	.LEVER 1	1	1	1	1	
4	90109-06798	.BOLT	1	1	1	1	
5	95602-06100	.NUT, U	1	1	1	1	
6	5TG-82913-00	.HOLDER, LEVER LOWER 1	1	1	1	1	
7	97002-05016	.BOLT	2	2	2	2	
8	5KM-82917-00	.SWITCH	1	1	1	1	
9	90123-08046	.BOLT	1	1	1	1	
10	90179-08148	.NUT	1	1	1	1	
11	5TG-25727-00	BRACKET, LEVER	1	1	1	1	
12	5TG-25689-00	PLATE, GUIDE	1	1	1	1	
13	5TG-25726-00	LEVER, BRAKE	1	1	1	1	
14	5TG-83923-00	COLLAR, LEVER 2	1	1	1	1	
15	92017-06014	BOLT, BUTTON HEAD	2	2	2	2	
16	90338-07007	PLUG	1	1	1	1	
17	92014-06016	BOLT, BUTTON HEAD	2	2	2	2	
18	5LP-83973-01	SWITCH, HANDLE 3	1	1	1	1	
19	5GH-83941-00	.LEVER, STARTER	1	1	1	1	
20	1UY-83909-00	.WASHER, SPECIAL	1	1	1	1	
21	3L4-83943-00	.WASHER, STARTER	1	1	1	1	
22	98517-05012	.SCREW, PAN HEAD	1	1	1	1	
23	92907-05100	.WASHER, SPRING	1	1	1	1	
24	98507-05030	.SCREW, PAN HEAD	2	2	2	2	



5YT1100-C400

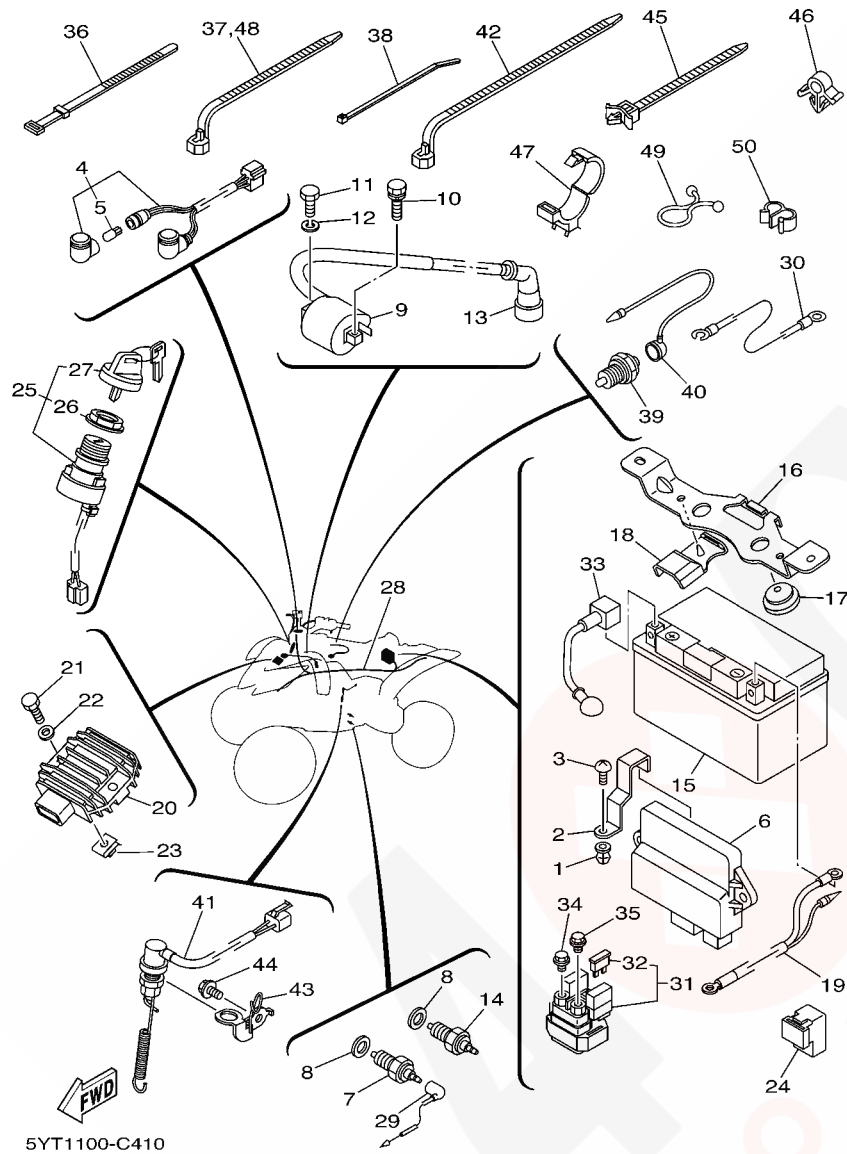


FIG. 41 ELECTRICAL 1

REF. NO.	PART NO.	DESCRIPTION	USA	CAN	EUR	OCE	REMARKS
1	90338-08226	PLUG	1	1	1	1	
2	5YT-8553A-00	STAY UNIT	1	1	1	1	
3	97702-60016	SCREW, TAPPING	1	1	1	1	
4	5YT-83530-00	PILOT LIGHT ASSY	1	1	1	1	
5	5GH-83516-00	.BULB (14V-1.7W)	2	2	2	2	
6	5YT-85540-00	C.D.I. UNIT ASSY	1	1	1	1	
7	3GB-82540-01	NEUTRAL SWITCH ASSY	1	1	1	1	
8	90430-10148	GASKET	2	2	2	2	
9	3KJ-82310-10	IGNITION COIL ASSY	1	1	1	1	
10	90109-06723	BOLT	1	1	1	1	
11	97007-06020	BOLT	1	1	1	1	
12	92907-06100	WASHER, SPRING	1	1	1	1	
13	1UY-82370-20	PLUG CAP ASSY	1	1	1	1	
14	3GD-82540-11	NEUTRAL SWITCH ASSY	1	1	1	1	
15	5VY-82100-00	BATTERY ASSY (YUASA YTZ10S)	1	1	1	1	
16	5YT-82128-00	BRACKET, BATTERY	1	1	1	1	
17	371-82121-00	PAD, BATTERY	2	2	2	2	
18	5YT-82129-00	COVER, BATTERY	1	1	1	1	
19	5YT-82116-00	WIRE, MINUS LEAD	1	1	1	1	
20	5GT-81960-00	RECTIFIER & REGULATOR ASSY	1	1	1	1	
21	97007-06025	BOLT	1	1	1	1	
22	92907-06600	WASHER, PLATE	1	1	1	1	
23	90183-06036	NUT, SPRING	1	1	1	1	
24	3GD-81950-01	RELAY ASSY	1	1	1	1	
25	5LP-82510-00	MAIN SWITCH ASSY	1	1	1	1	
26	3HN-82569-00	.NUT, MAIN SWITCH	1	1	1	1	
27	3HN-82579-00	.CAP, KEY	1	1	1	1	

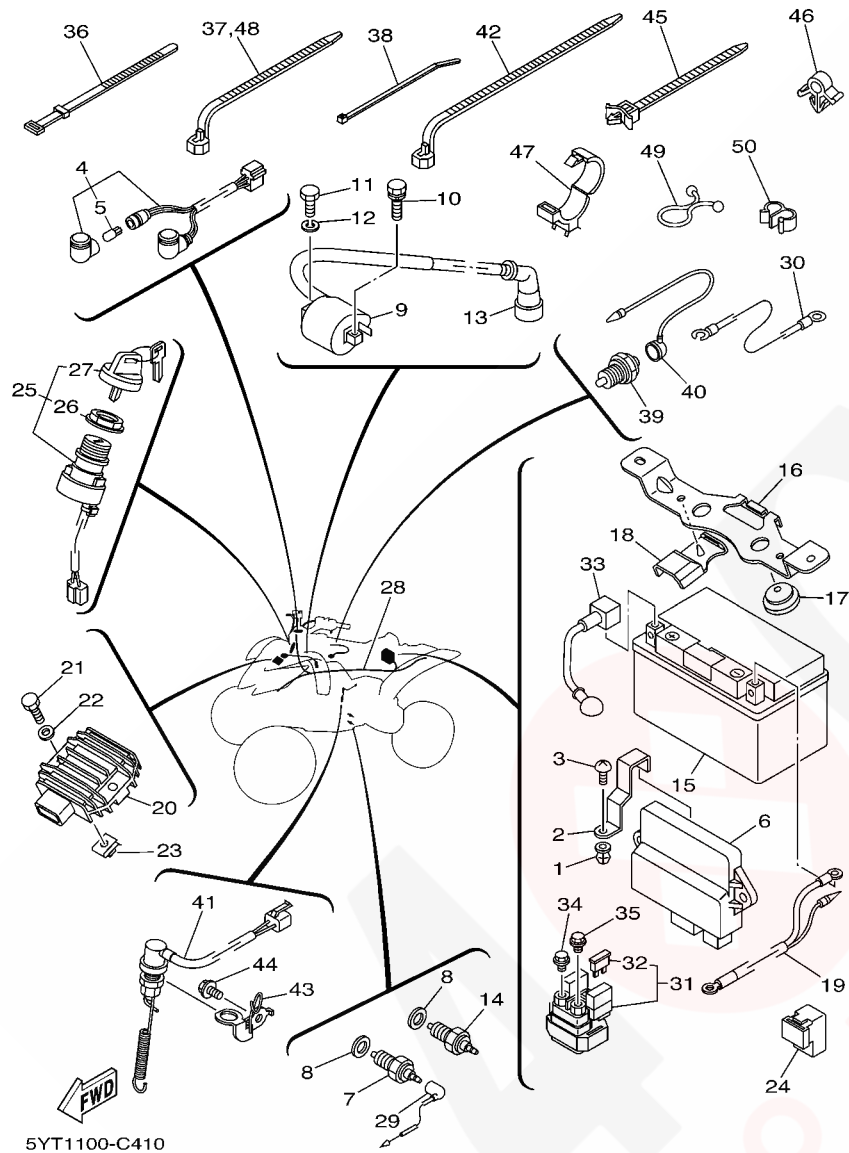


FIG. 41 ELECTRICAL 1

REF. NO.	PART NO.	DESCRIPTION	USA	CAN	EUR	OCE	REMARKS
28	5YT-82590-00	WIRE HARNESS ASSY	1	1	1	1	
29	5YT-82541-00	WIRE, LEAD	1	1	1	1	
30	3GD-82509-10	WIRE, SUB LEAD	1	1	1	1	
31	1D0-81940-02	STARTER RELAY ASSY	1	1	1	1	
32	36Y-82151-00	.FUSE (15A-BL)	2	2	2	2	
33	5YT-82115-00	WIRE, PLUS LEAD	1	1	1	1	
34	95027-06008	BOLT, FLANGE	1	1	1	1	
35	95027-06008	BOLT, FLANGE	1	1	1	1	
36	437-83936-01	BAND, SWITCH CORD	4	4	4	4	
37	90464-13073	CLAMP	1	1	1	1	
38	90465-10098	CLAMP	1	1	1	1	
39	4KD-82540-00	NEUTRAL SWITCH ASSY	1	1	1	1	
40	5YT-82507-00	WIRE, LEAD	1	1	1	1	
41	5NF-82530-00	STOP SWITCH ASSY	1	1	1	1	
42	90464-15195	CLAMP	2	2	2	2	
43	5YT-2144G-00	STAY, STOP SWITCH	1	1	1	1	
44	95807-06010	BOLT, FLANGE	1	1	1	1	
45	90464-12089	CLAMP	3	3	3	3	
46	90464-15157	CLAMP	1	1	1	1	
47	90464-30252	CLAMP	1	1	1	1	
48	90464-13073	CLAMP	1	1	1	1	
49	90465-18147	CLAMP	1	1	1	1	
50	90468-15139	CLIP	1	1	1	1	

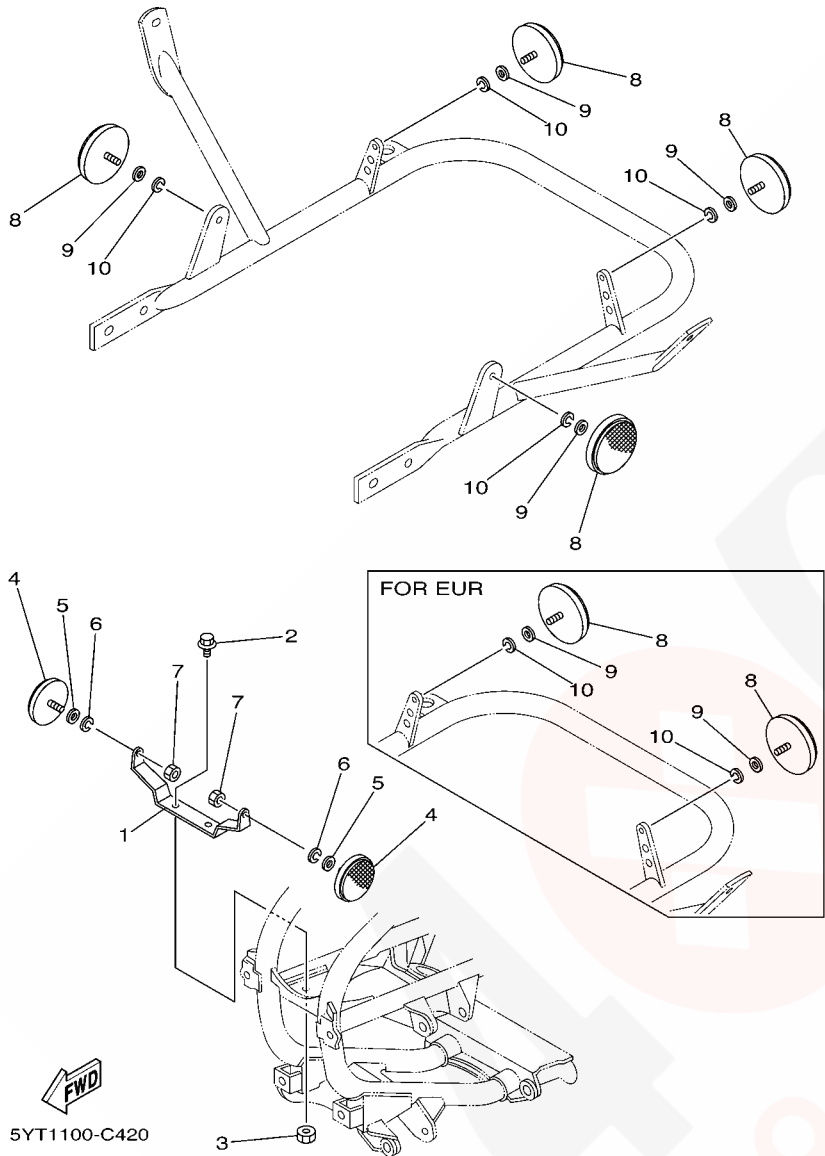


FIG. 42 ELECTRICAL 2

REF. NO.	PART NO.	DESCRIPTION	USA	CAN	EUR	OCE	REMARKS
1	5YT-85112-00	BRACKET, REFLECTOR 1		1			
2	90119-05062	BOLT, WITH WASHER		2			
3	95307-05600	NUT		2			
4	2EK-85111-00	REFLECTOR, FRONT 1		2			
5	92907-05200	WASHER		2			
6	92907-05100	WASHER, SPRING		2			
7	95307-05600	NUT		2			
8	449-85131-02	REFLECTOR, REAR 1		4	2		
9	92907-05200	WASHER		4	2		
10	92907-05100	WASHER, SPRING		4	2		

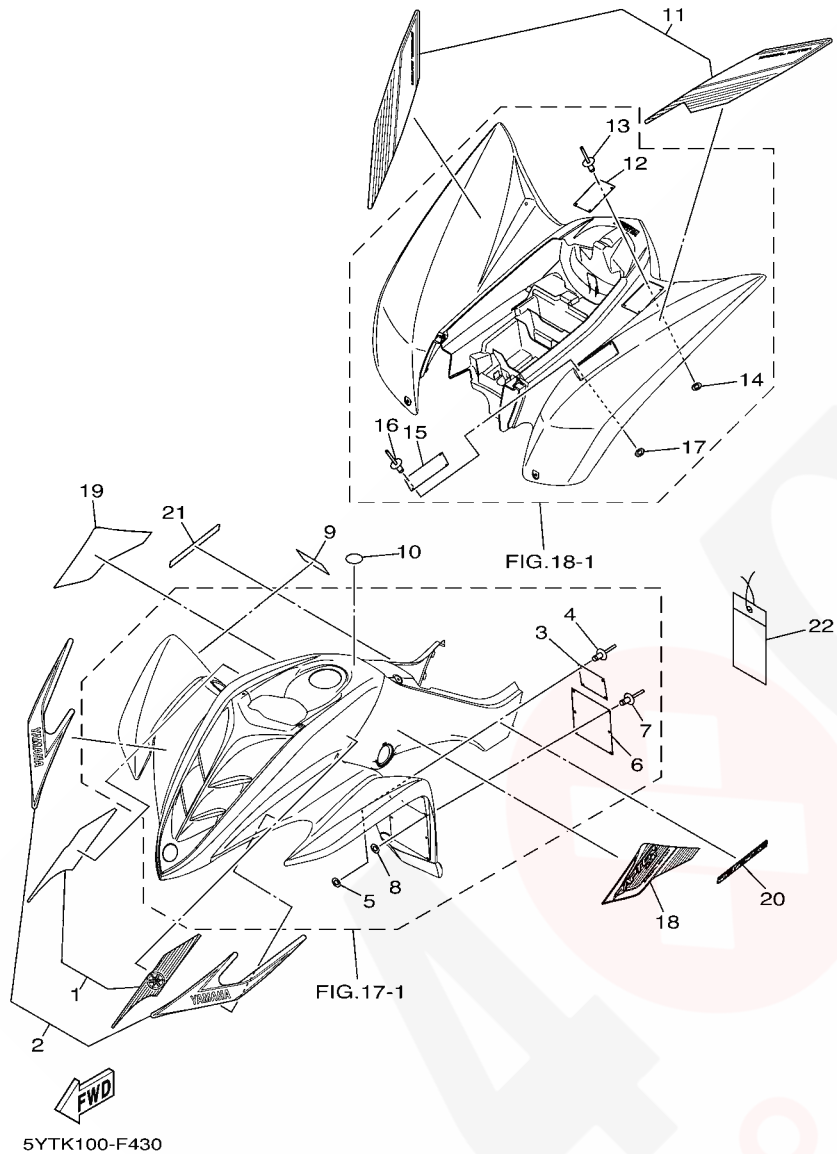


FIG. 43 EMBLEM & LABEL 1

REF. NO.	PART NO.	DESCRIPTION	USA	CAN	EUR	OCE	REMARKS
1	5YT-21570-40	GRAPHIC SET, FRONT FENDER	1				
2	5YT-2159A-10	GRAPHIC SET 1	1				
3	5FE-21697-01	LABEL, CAUTION 2	1				ENGLISH
4	90267-32004	RIVET, BLIND	4				
5	90201-03008	WASHER, PLATE	4				
6	5FE-21568-01	LABEL, WARNING	1				ENGLISH
7	90267-32004	RIVET, BLIND	6				
8	90201-03008	WASHER, PLATE	6				
9	5YT-2151E-30	LABEL 2	1				ENGLISH
10	5D3-2164B-00	EMBLEM,3D	1				
11	5YT-2165B-80	GRAPHIC SET,REAR FENDER	1				
12	5FE-2151H-01	LABEL 5	1				ENGLISH
13	90267-32004	RIVET, BLIND	4				
14	90201-03008	WASHER, PLATE	4				
15	3GD-21696-31	LABEL, CAUTION	1				ENGLISH
16	90267-32004	RIVET, BLIND	4				
17	90201-03008	WASHER, PLATE	4				
18	5YT-2173E-E0	GRAPHIC 1	1				
19	5YT-2173F-E0	GRAPHIC 2	1				
20	5YT-21784-20	EMBLEM 4	1				
21	5YT-21784-20	EMBLEM 4	1				
22	5LP-2819R-00	TAG, WARNING	1				

5YTK100-F440

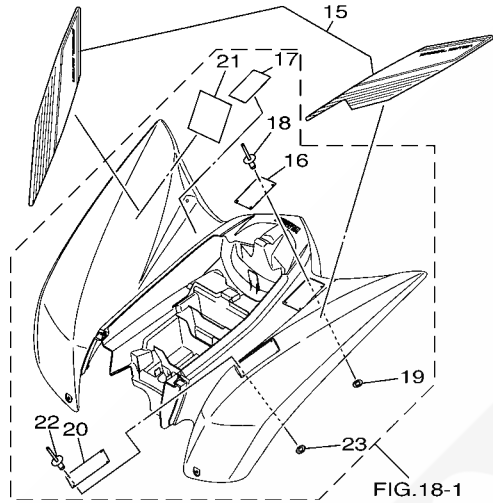
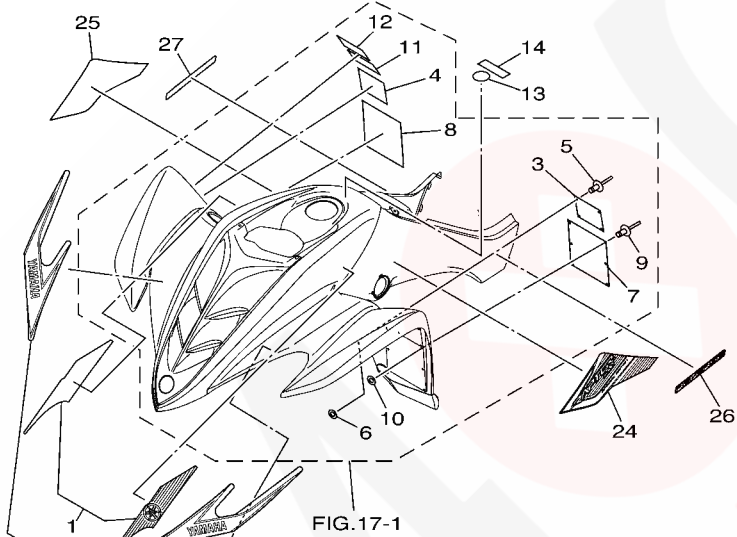


FIG. 44 EMBLEM & LABEL 2

REF. NO.	PART NO.	DESCRIPTION	USA	CAN	EUR	OCE	REMARKS
1	5YT-21570-40	GRAPHIC SET, FRONT FENDER		1			
2	5YT-2159A-10	GRAPHIC SET 1		1			
3	5FE-21697-01	LABEL, CAUTION 2		1			ENGLISH
4	3JM-21697-10	LABEL, CAUTION 2		1			FRENCH
5	90267-32004	RIVET, BLIND		4			
6	90201-03008	WASHER, PLATE		4			
7	5FE-21568-01	LABEL, WARNING		1			ENGLISH
8	4WU-21568-10	LABEL, WARNING		1			FRENCH
9	90267-32004	RIVET, BLIND		6			
10	90201-03008	WASHER, PLATE		6			
11	5YT-2151E-30	LABEL 2		1			ENGLISH
12	5YT-2151E-40	LABEL 2		1			FRENCH
13	5D3-2164B-00	EMBLEM,3D		1			
14	4SH-2416E-00	LABEL, CAUTION CANADA		1			ENGLISH
15	5YT-2165B-80	GRAPHIC SET,REAR FENDER		1			
16	5FE-2151H-01	LABEL 5		1			ENGLISH
17	4WU-2151H-10	LABEL 5		1			FRENCH
18	90267-32004	RIVET, BLIND		4			
19	90201-03008	WASHER, PLATE		4			
20	3GD-21696-31	LABEL, CAUTION		1			ENGLISH
21	3GD-21696-B0	LABEL, CAUTION		1			FRENCH
22	90267-32004	RIVET, BLIND		4			
23	90201-03008	WASHER, PLATE		4			
24	5YT-2173E-E0	GRAPHIC 1		1			
25	5YT-2173F-E0	GRAPHIC 2		1			
26	5YT-21784-20	EMBLEM 4		1			
27	5YT-21784-20	EMBLEM 4		1			

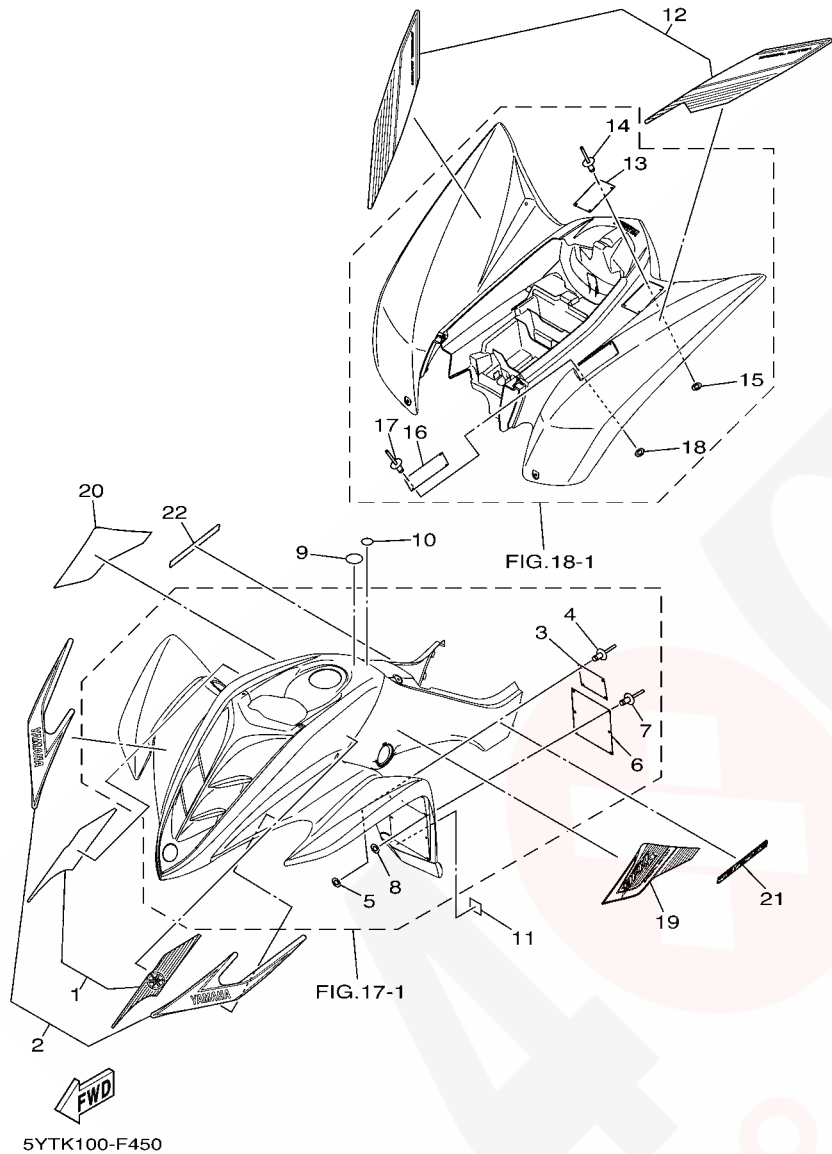


FIG. 45 EMBLEM & LABEL 3

REF. NO.	PART NO.	DESCRIPTION	USA	CAN	EUR	OCE	REMARKS
1	5YT-21570-40	GRAPHIC SET, FRONT FENDER			1		
2	5YT-2159A-10	GRAPHIC SET 1			1		
3	5FK-21697-00	LABEL, CAUTION 2			1		
4	90267-32004	RIVET, BLIND			4		
5	90201-03008	WASHER, PLATE			4		
6	5FK-21568-00	LABEL, WARNING			1		
7	90267-32004	RIVET, BLIND			6		
8	90201-03008	WASHER, PLATE			6		
9	5D3-2164B-00	EMBLEM,3D			1		
10	3ME-2415E-01	LABEL, CAUTION			1		
11	4GB-2155A-00	MARK,EC			1		
12	5YT-2165B-80	GRAPHIC SET,REAR FENDER			1		
13	5FK-2151H-00	LABEL 5			1		
14	90267-32004	RIVET, BLIND			4		
15	90201-03008	WASHER, PLATE			4		
16	5NF-21696-M0	LABEL, CAUTION			1		
17	90267-32004	RIVET, BLIND			4		
18	90201-03008	WASHER, PLATE			4		
19	5YT-2173E-F0	GRAPHIC 1			1		
20	5YT-2173F-F0	GRAPHIC 2			1		
21	5YT-21784-20	EMBLEM 4			1		
22	5YT-21784-20	EMBLEM 4			1		

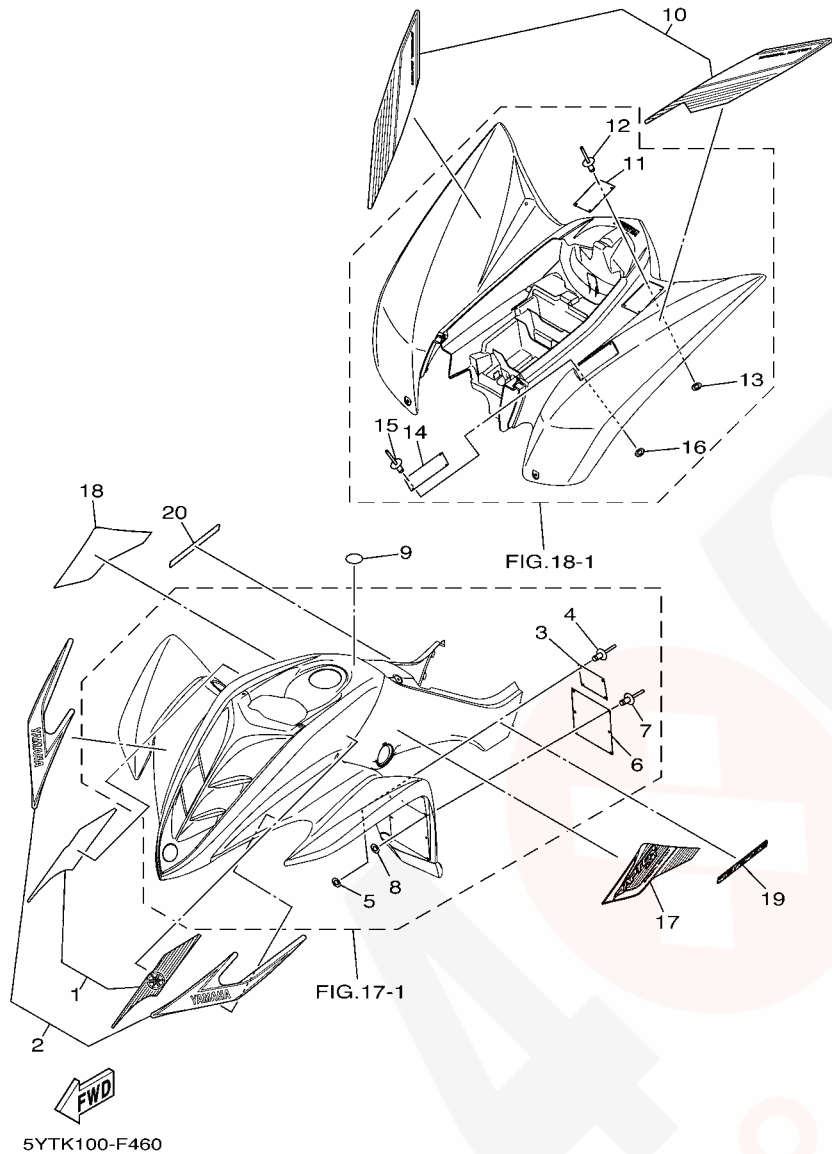


FIG. 46 EMBLEM & LABEL 4

REF. NO.	PART NO.	DESCRIPTION	USA	CAN	EUR	OCE	REMARKS
1	5YT-21570-40	GRAPHIC SET, FRONT FENDER				1	
2	5YT-2159A-10	GRAPHIC SET 1				1	
3	5FE-21697-01	LABEL, CAUTION 2				1	ENGLISH
4	90267-32004	RIVET, BLIND				4	
5	90201-03008	WASHER, PLATE				4	
6	5FE-21568-11	LABEL, WARNING				1	ENGLISH
7	90267-32004	RIVET, BLIND				6	
8	90201-03008	WASHER, PLATE				6	
9	5D3-2164B-00	EMBLEM,3D				1	
10	5YT-2165B-80	GRAPHIC SET,REAR FENDER				1	
11	5FE-2151H-01	LABEL 5				1	ENGLISH
12	90267-32004	RIVET, BLIND				4	
13	90201-03008	WASHER, PLATE				4	
14	3GD-21696-31	LABEL, CAUTION				1	ENGLISH
15	90267-32004	RIVET, BLIND				4	
16	90201-03008	WASHER, PLATE				4	
17	5YT-2173E-E0	GRAPHIC 1				1	
18	5YT-2173F-E0	GRAPHIC 2				1	
19	5YT-21784-20	EMBLEM 4				1	
20	5YT-21784-20	EMBLEM 4				1	

NUMERICAL INDEX

PART NO.	GRID NO.	PART NO.	GRID NO.	PART NO.	GRID NO.	PART NO.	GRID NO.	PART NO.	GRID NO.	PART NO.	GRID NO.
5YT-11101-10	B - 2	3Y1-12231-01	B - 7	1UY-14468-00	B - 9	3J2-16324-00	C - 3	4GB-18531-00	C - 7	5YT-2165B-80	F - 3
3Y1-1111F-00	B - 2	1UY-12241-00	B - 7	583-14561-00	B - 10	168-16325-00	C - 3	22U-18535-00	C - 7		F - 4
31G-11127-00	B - 2	1UY-13161-01	B - 8	5DM-14561-00	B - 10	5Y1-16331-01	C - 3	5YT-18540-00	C - 7		F - 5
3Y1-11127-00	B - 2	1UY-13300-00	B - 8	1FN-14565-00	B - 11	5YT-16340-00	C - 3	3GH-18542-00	C - 7	5LP-21691-00	C - 12
3Y1-11133-11	B - 2	1UY-13324-00	B - 8	1UY-14611-02	B - 12	1UY-16351-00	C - 3	5YT-21110-30	C - 9	3GD-21696-31	F - 2
31G-11161-00	B - 2	1UY-13326-00	B - 8	3GD-14613-00	B - 12	1UY-16352-00	C - 3	5YT-2117G-00	C - 9		F - 3
5YT-11166-00	B - 13	3GD-13329-00	B - 8	5YT-14628-00	B - 12	1UY-16356-00	C - 4	1UY-21315-10	C - 9		F - 5
371-11167-01	B - 13	51Y-13411-00	B - 8	5YT-14708-01	B - 12	1UY-16358-00	C - 3	1UY-21316-10	C - 9	3GD-21696-B0	F - 3
1UY-11181-01	B - 2	2XK-13416-00	B - 8	5YT-14710-00	B - 12	1UY-16371-02	C - 3	5YT-2144G-00	E - 14	5NF-21696-M0	F - 4
5NF-11185-00	B - 2	1UY-13440-02	B - 8	5TG-14752-00	B - 12	1UY-16382-00	C - 3	5YT-21471-00	C - 9	5FK-21697-00	F - 4
2NL-11186-12	B - 2	3GD-13447-00	B - 8	4WM-14755-00	B - 12	5Y1-16383-00	C - 3	5YT-21513-00	C - 11	5FE-21697-01	F - 2
2NL-11187-11	B - 2	5YT-13586-00	B - 9	5YT-14787-00	B - 12	3LD-16398-00	C - 4	5YT-21514-00	C - 11		F - 3
5YT-11310-00	B - 3	5MP-14105-00	B - 10	5YT-14788-00	B - 12	1UY-17121-00	C - 5	5YT-2151E-30	F - 2		F - 5
4KB-11351-00	B - 3	5YT-1410A-00	B - 10	5YT-14901-00	B - 10	1UY-17123-00	C - 5		F - 3	3JM-21697-10	F - 3
1UY-11400-00	B - 4	5YT-14112-00	B - 10	5YT-14901-10	B - 10	1UY-17131-00	C - 5	5YT-2151E-40	F - 3	5YT-21711-10	C - 14
1UY-11422-00	B - 4	5YT-14123-00	B - 10	5YT-1490H-00	B - 11	1UY-17151-00	C - 5	5FK-2151H-00	F - 4	5YT-21721-10	C - 14
1UY-11454-00	B - 5	137-14133-00	B - 11	5YT-1490J-00	B - 10	5YT-17161-01	C - 5	5FE-2151H-01	F - 2	5YT-2173E-E0	F - 2
30X-11496-00	B - 4	80N-14139-00	B - 11	5YT-1490J-10	B - 10	1UY-17211-00	C - 5		F - 3		F - 3
3Y1-11531-02	B - 4	5YT-14141-40	B - 10	5GH-14918-00	B - 10	5YT-17221-00	C - 5		F - 5		F - 5
1UY-11536-01	B - 5	4KM-14142-22	B - 11	5KM-14937-00	B - 11	1UY-17223-02	C - 5	4WU-2151H-10	F - 3	5YT-2173E-F0	F - 4
30X-11565-00	B - 4	354-14147-00	B - 11	8FA-14940-00	B - 10	1UY-17231-01	C - 5	5TG-21541-00	D - 7	5YT-2173F-E0	F - 2
4GB-11610-00	B - 4	3H1-14147-00	B - 10	3H1-14962-00	B - 10	1UY-17241-00	C - 5	4GB-2155A-00	F - 4		F - 3
4GB-11610-20	B - 4	5LP-14147-00	B - 11	5FU-14962-00	B - 10	1UY-17243-00	C - 6	5YT-21562-00	C - 11		F - 5
4GB-11610-40	B - 4	3GD-14155-00	B - 11	5DM-14985-00	B - 11	1UY-17251-00	C - 5	5FK-21568-00	F - 4	5YT-2173F-F0	F - 4
5UH-11631-00-CO	B - 4	522-14161-00	B - 11	28V-14988-00	B - 11	1UY-17253-00	C - 6	5FE-21568-01	F - 2	5UH-2177C-10	B - 9
55V-11633-00	B - 5	127-14186-00	B - 10	3GD-15100-03	B - 13	5YT-17261-00	C - 5		F - 3	5YT-21784-20	F - 2
5UH-11636-00	B - 4	5YT-14190-25	B - 10	30X-15351-00	B - 8	1UY-17285-00	C - 6	4WU-21568-10	F - 3		F - 3
5UH-11638-00	B - 4	5LW-14191-00	B - 11	1UY-15362-01	B - 14	1UY-17401-01	C - 5	5FE-21568-11	F - 5		F - 4
1UY-11651-00	B - 4	24W-14193-00	B - 11	3R4-15381-00	B - 13	1UY-17421-02	C - 5	5YT-21570-40	F - 2		F - 5
30X-11681-00	B - 4	5YT-14193-00	B - 10	1UY-15383-00	B - 13	1UY-17431-00	C - 6		F - 3	5YT-2210J-00	C - 15
1UY-12111-01	B - 6	5YT-14194-00	B - 10	3GD-15411-00	B - 14	1UY-17432-01	C - 5		F - 4	5YT-2210K-00	C - 15
1UY-12113-01	B - 6	5YT-14197-00	B - 11	1UY-15421-00	B - 14	1UY-17523-00	C - 6		F - 5	3GD-22110-30	C - 15
1UY-12114-01	B - 6	5YT-14197-10	B - 11	3GD-15431-10	B - 14	1UY-17582-00	C - 6	5YT-2159A-10	F - 2	2K6-22128-01	C - 15
3Y1-12116-00	B - 6	5YT-14197-20	B - 11	5YT-15441-10	B - 13	1UY-18101-01	C - 7		F - 3	5YT-22129-00	C - 15
3Y1-12117-01	B - 6	4KM-14216-00	B - 10	3GD-15451-00	B - 14	5YT-18110-10	C - 7		F - 4	1UY-22141-10	C - 15
1J7-12118-00	B - 6	3G2-14231-14	B - 10	3GD-15461-00	B - 14	1UY-18112-10	C - 8		F - 5	2GU-22151-00	C - 15
1UY-12121-01	B - 6	1HX-14231-33	B - 10	1UY-15512-00	C - 2	5YT-18113-00	C - 8	5YT-21613-00	C - 12	3TB-22178-00	C - 9
M01-12129-00	B - 6	3G2-1423A-79	B - 10	1UY-15517-01	C - 2	1JN-18115-00	C - 8	5YT-21614-00	C - 12	3GD-22184-00	C - 15
3GD-12151-11	B - 6	5YT-14261-00	B - 10	1UY-15521-02	C - 2	4G0-18127-00	C - 7	5LP-21621-00	C - 12	4V4-22184-00	C - 9
4SH-12156-00	B - 6	5YT-14411-00	B - 9	1UY-15590-01	C - 2	1UY-18140-00	C - 7	5D3-2164B-00	F - 2	38W-22199-00	C - 15
31G-12158-00	B - 6	5YT-14412-01	B - 9	21V-15719-00	B - 14	2H9-18154-00	C - 8		F - 3	5YT-2219X-00	D - 2
31G-12159-02	B - 6	5YT-1442F-00	B - 9	3GD-15777-10	C - 2	4SH-18198-00	D - 14		F - 4	5YT-22210-40	D - 3
5UH-12170-10	B - 7	5GH-14436-00	B - 9	3GD-15787-03	B - 14	1UY-18311-00	C - 7		F - 5	5YT-22210-50	D - 3
5YT-12176-00	B - 7	1UY-14451-00	B - 9	1UY-16111-10	C - 3	3GD-18420-00	C - 7	5YT-2164F-00	C - 12	5YT-22210-60	D - 3
31G-12210-01	B - 7	4FU-14452-00	B - 9	2NL-16150-00	C - 3	1YW-18511-00	C - 7	5YT-2164G-00	C - 12	4AA-22259-40	D - 3
3GD-12213-00	B - 7	5YT-14453-00	B - 9	30X-16154-00	C - 3	4GB-18512-00	C - 7	5YT-2164H-00	C - 12	4AA-22259-70	D - 3
31G-12214-00	B - 7	59V-14457-00	B - 9	1UY-16181-00	C - 4	1UY-18513-00	C - 7	5YT-2164J-00	C - 12	4AA-22259-80	D - 3
31G-12222-00	B - 7	1UY-14458-01	B - 9	31A-16321-01	C - 3	2A6-18531-00	C - 7	5YT-2165B-80	F - 2	5YT-23350-10	D - 6

NUMERICAL INDEX

PART NO.	GRID NO.	PART NO.	GRID NO.	PART NO.	GRID NO.	PART NO.	GRID NO.	PART NO.	GRID NO.	PART NO.	GRID NO.
5YT-23391-D0	C - 11	5LP-25390-20	D - 11	5LP-26241-00	D - 14	5YT-82128-00	E - 13	5YT-84751-00	E - 11	90109-08052	C - 9
3GD-23501-00	D - 5	5TG-25438-10	D - 11	4KB-26250-20	D - 14	5YT-82129-00	E - 13	2EK-85111-00	E - 15	90109-08100	C - 9
3GD-23502-00	D - 5	5TG-25689-00	E - 12	1UY-26259-00	E - 2	3TJ-82131-00	C - 9	5YT-85112-00	E - 15		E - 6
5YT-23517-00	D - 5	5YT-25712-00	D - 13	1NV-2625G-01	D - 14	36Y-82151-00	E - 14	449-85131-02	E - 15	90109-081F0	D - 13
3GD-23540-10	D - 5	5TG-25726-00	E - 12	4KB-2628F-20	D - 14	3KJ-82310-10	E - 13	5YT-8553A-00	E - 13	90109-10013	D - 11
3GD-23550-10	D - 5	5TG-25727-00	E - 12	4KB-2628G-00	D - 14	1UY-82370-20	E - 13	5YT-85540-00	E - 13	90110-05201	C - 11
3GD-23570-10	D - 5	5LP-2580T-00	D - 10	1NV-26304-00	D - 14	5YT-82507-00	E - 14	5LP-W0041-00	E - 2	90110-06134	B - 12
3GD-23580-10	D - 5	5LP-2580U-00	D - 10	5YT-26311-00	D - 14	3GD-82509-10	E - 14	5FK-W0042-50	E - 4	90110-06136	B - 8
1UY-23812-00	D - 4	5YT-2580W-00	D - 13	5YT-26331-00	D - 14	5LP-82510-00	E - 13	5LP-W0045-00	D - 10	90113-06055	D - 12
5YT-23813-10	D - 4	3GD-25827-00	D - 10	5YT-26335-00	D - 14	5NF-82530-00	E - 14	5LP-W0046-50	D - 13	90114-10007	D - 9
8K1-23814-00	D - 4	3GD-25828-00	D - 10	5YT-26341-01	D - 14	4KD-82540-00	E - 14	3GD-W0047-00	D - 10	90114-10013	D - 11
3GD-23831-00	D - 4	47X-2582A-50	E - 4	1UY-26372-00	D - 15	3GB-82540-01	E - 13	5LP-W0047-50	D - 13	90116-06503	B - 2
1UY-23841-01	D - 4	3GD-2582T-10	D - 10	31A-26372-00	D - 14	3GD-82540-11	E - 13	1UY-W0048-50	D - 10	90119-05062	E - 15
1UY-23845-00	D - 4	5TG-2582W-00	D - 13	1NV-26398-00	D - 14	5YT-82541-00	E - 14		D - 13	90119-06152	C - 11
5YT-23868-00	D - 4	5MV-25833-00	E - 2	371-27114-00	D - 8	3HN-82569-00	E - 13	3GD-W0057-00	D - 10		C - 12
2GU-23872-00	C - 9	5LP-2583T-01	E - 2	5YT-27211-10	E - 3	3HN-82579-00	E - 13	5LP-W0057-50	D - 13	90123-08046	E - 12
1UY-23894-01	D - 4	5YT-2583V-00	E - 4	4SS-27218-00	E - 4	5YT-82590-00	E - 14	1UY-W1141-00	B - 4	90149-04278	D - 14
5YT-24110-00	D - 7	5LP-25852-01	E - 2	2YK-27222-00	E - 4	5YT-82910-00	E - 12	5YT-W2151-10	C - 11	90149-06011	D - 7
8AC-2414B-01	C - 11	3XP-25852-50	E - 4	5YT-27411-00	E - 3	5YT-82911-00	E - 12	5YT-W215B-10	C - 11	90149-06021	C - 14
5YT-2414H-00	D - 7	2VN-25854-00	E - 4	5YT-27421-00	E - 3	4V4-82913-00	D - 14	5YT-W215C-10	C - 11	90149-06306	C - 11
3ME-2415E-01	F - 4	4LO-25854-00	E - 2	2XK-27400-00	C - 9	5TG-82913-00	E - 12	5YT-W215E-10	C - 11		C - 12
4SH-2416E-00	F - 3	2VN-25855-00	E - 4	1NV-2811A-01	C - 10	5KM-82917-00	E - 12	5YT-W2161-10	C - 12	90149-08268	D - 10
5YT-24311-00	D - 7	2GU-25866-00	E - 2	5LP-2819R-00	F - 2	5GH-83516-00	E - 13	5YT-W216B-10	C - 12	90149-08329	C - 2
5YT-24423-00	B - 10	5LP-25867-00	E - 2	5GT-2836B-10	D - 14	5YT-83530-00	E - 13	5YT-W216C-10	C - 12	90151-05023	B - 14
21V-24500-11	D - 7	5YT-25871-00	E - 2	5YT-2845N-00	E - 6	1UY-83909-00	E - 12	90101-08777	D - 11	90151-06010	B - 8
4X8-24512-00	D - 7	5YT-25872-00	E - 2	5YT-2845R-00	E - 6	2HT-83912-00	E - 12	90101-10303	B - 7	90154-05013	C - 12
3AC-24523-00	D - 7	5YT-25873-00	E - 2	5YT-2845R-10	E - 6	5LP-83922-00	E - 2	90101-10568	B - 4	90154-06014	D - 10
5YT-24524-00	D - 7	5YT-25874-00	E - 4	5YT-2845R-20	E - 6	5TG-83923-00	E - 12	90101-10689	D - 11	90154-06061	C - 12
3AJ-24534-01	D - 7	5YT-25876-00	E - 5	1UY-81175-01	B - 15	437-83936-01	E - 14	90101-12012	D - 3	90159-06123	C - 3
5KM-24610-00	D - 7	5VM-25886-10	D - 6	5NF-81410-00	E - 7	5GH-83941-00	E - 12	90101-12695	D - 11	90170-06228	C - 8
5YT-24665-00	D - 7	5YT-25888-00	E - 4	5NF-81450-01	E - 7	3L4-83943-00	E - 12	90105-08440	D - 13	90170-06289	D - 15
5YT-2470F-20	D - 8	4EW-25894-00	E - 4	5YT-81815-00	E - 8	5LP-83973-01	E - 12	90105-08538	D - 10	90170-10010	D - 4
5YT-24710-20	D - 8	5YT-25895-00	E - 4	1UY-81818-50	E - 8	5LP-83980-00	E - 2	90105-10131	D - 6	90170-16326	B - 5
214-24724-00	D - 8	5MV-2589F-00	E - 2	1UY-81820-51	E - 8	5TG-84110-12	E - 9	90105-10135	D - 6		C - 3
509-24724-00	D - 8	4NK-2589H-00	E - 2	3GD-81826-00	E - 8	5TG-84140-01	E - 9	90105-10323	C - 9	90170-16343	C - 3
22W-24741-00	C - 9	1UY-25917-51	D - 13	8L6-81840-50	E - 8	5TG-84165-01	E - 9	90105-10409	C - 9	90170-33010	D - 12
5YT-24776-00	D - 8	1UY-25924-51	D - 13	4H7-81843-50	E - 8	5TG-84166-01	E - 9	90105-10421	B - 2	90171-10001	D - 4
3GD-25111-01-98	D - 9	3GD-25933-00	D - 10	4H7-81844-50	E - 8	5TG-84310-12	E - 9	90105-10422	B - 2		D - 6
1UY-25117-00	D - 9	1UY-25933-51	D - 13	1UY-81847-50	E - 8	4KB-84314-01	E - 9	90105-10480	C - 9	90171-10046	D - 4
1S3-25127-00	D - 9	1UY-25972-51	D - 13	8L6-81847-50	E - 8	5TG-84340-01	E - 9	90105-12027	C - 15		D - 5
5YT-2514A-00	D - 10	5YT-25977-50	D - 13	1UY-81890-00	E - 8	5LP-84700-00	E - 10	90105-12028	C - 15	90171-14002	D - 9
5LP-25180-20	D - 9	5YT-26111-00	D - 14	1D0-81940-02	E - 14		E - 11		D - 3	90171-14004	D - 11
5YT-25311-00	D - 11	5YT-26124-20	D - 14	3GD-81950-01	E - 13	256-84714-60	E - 10	90105-14003	C - 7	90179-06668	B - 12
5YT-25317-00	D - 11	1NV-26129-00	D - 14	5GT-81960-00	E - 13		E - 11	90109-06060	E - 4	90179-08148	E - 12
5YT-25381-10	D - 12	5YT-26150-00	D - 14	5VY-82100-00	E - 13	4TR-84723-00	E - 10	90109-06172	C - 11	90179-08577	C - 9
1S3-25383-10	D - 11	1UY-26153-00	D - 15	5YT-82115-00	E - 14		E - 11	90109-063F7	C - 7	90179-10247	D - 11
5YT-25386-00	D - 11	1UY-26157-00	D - 15	5YT-82116-00	E - 13	4TR-84733-00	E - 10	90109-06723	E - 13	90179-12588	D - 11
3GD-25388-00	D - 11	3GD-26166-10	D - 15	371-82121-00	E - 13		E - 11	90109-06798	E - 12	90179-20255	C - 6

NUMERICAL INDEX

PART NO.	GRID NO.	PART NO.	GRID NO.	PART NO.	GRID NO.	PART NO.	GRID NO.	PART NO.	GRID NO.	PART NO.	GRID NO.
90183-05008	C - 11	90201-17255	C - 6	90387-12020	D - 3	90501-07629	B - 4	93102-12224	C - 4	93306-27202	C - 5
90183-06036	E - 13	90201-203E7	C - 5	90387-12021	C - 15	90501-10353	C - 7	93102-14209	C - 7	93306-30424	C - 5
90183-06069	C - 14	90201-207G6	B - 5	90387-125N8	C - 15	90501-18576	B - 8	93102-15212	C - 7	93306-30622	B - 4
90185-06153	C - 12	90201-22793	C - 6	90387-127G8	D - 3	90501-22721	B - 4	93102-22216	D - 9	93310-212L6	C - 2
90185-10002	C - 9	90201-244A9	C - 15	90387-150R1	D - 9	90501-231E9	C - 3	93102-25081	C - 9	93310-255N0	C - 2
90185-10011	D - 11	90201-25291	C - 2	90387-16547	B - 3	90506-20380	E - 3	93102-25099	C - 9	93310-633T5	B - 4
90185-10012	D - 6	90201-256E6	C - 5	90387-176R6	D - 4	90508-16022	C - 3	93102-28476	B - 14	93311-41587	C - 6
90185-10115	D - 4	90201-28665	C - 6	90387-257N4	C - 6	90508-23567	D - 8	93102-35393	C - 6	93317-22237	C - 15
90185-12134	D - 3	90206-12001	B - 6	90401-06001	B - 2	90508-25712	C - 7	93104-09025	D - 14	93410-20038	C - 5
90185-16002	C - 15	90209-18208	C - 5	90401-08004	B - 8	90508-32711	C - 7	93104-17094	C - 5	93410-22039	C - 5
90201-03008	F - 2	90209-33253	B - 4	90401-10159	E - 2	90508-35764	D - 14	93104-20068	C - 5	93430-12008	C - 8
	F - 3	90215-06162	B - 2		E - 4	90560-14284	C - 7	93105-26026	D - 9		E - 3
	F - 4	90215-08260	C - 7	90430-06014	B - 13	91317-06020	B - 2	93106-46001	D - 11	93440-12052	B - 2
	F - 5	90215-16156	C - 3		B - 14		B - 8	93108-35004	C - 15	93440-25084	C - 5
90201-05015	B - 12	90215-16222	C - 3	90430-06192	B - 2	91317-06025	B - 2	93109-08050	D - 15	93440-28062	C - 6
90201-06036	D - 15	90215-16258	C - 3	90430-08119	B - 8	91317-06030	B - 3	93109-20076	C - 15	93450-19095	B - 5
90201-06089	C - 11	90215-16270	B - 5	90430-10148	E - 13	91317-08025	B - 9	93112-31011	D - 4	93503-08007	C - 7
90201-06380	B - 14	90215-21239	C - 6	90430-14194	C - 7	91317-08050	B - 2	93210-06422	C - 3	93602-13177	B - 4
90201-063F3	C - 15	90240-07105	B - 4	90430-14240	B - 2	91401-16012	E - 4	93210-07590	C - 7	93603-07073	B - 8
	D - 5	90240-08005	E - 4	90445-084J1	D - 7	91401-20020	D - 4	93210-09165	B - 6	93603-12030	B - 8
90201-06557	E - 9	90267-32004	F - 2	90445-09M32	E - 10		D - 5	93210-14369	B - 14	93604-10011	B - 7
	E - 10		F - 3		E - 11	91401-30025	D - 9	93210-15414	C - 8	93605-10090	B - 4
90201-08054	C - 9		F - 4	90450-52003	B - 9	91401-30030	D - 11	93210-15620	E - 4	93700-06004	C - 15
	D - 2		F - 5	90450-63004	B - 9	91609-40016	D - 15	93210-16290	B - 4		D - 5
90201-08066	E - 4	90269-07076	C - 14	90460-75020	B - 9	91A20-07010	B - 11	93210-17003	B - 7	93834-13030	C - 6
90201-08085	C - 4	90280-05013	B - 8	90464-12089	E - 14	92012-08020	D - 15	93210-18322	B - 3	93900-00022	D - 9
90201-08326	B - 12	90280-05048	B - 4	90464-13073	D - 7	92014-06016	E - 12	93210-19522	B - 14		D - 11
	C - 13	90282-05034	B - 5		E - 14	92017-06014	E - 12	93210-22164	C - 6	94107-10020	D - 9
90201-10037	D - 6	90282-07057	C - 3	90464-15157	E - 14	92017-06025	B - 14	93210-35520	B - 8	94110-09020	D - 11
90201-10118	E - 2	90338-07007	E - 12	90464-15195	D - 7	92017-08030	E - 4	93210-44545	B - 9	94500-02090	B - 7
	E - 4	90338-08226	B - 9		E - 14	92902-04100	B - 11	93210-54175	B - 8	94581-87098	D - 12
90201-10128	B - 2		E - 13	90464-30252	E - 14	92902-10200	D - 9	93210-57634	B - 2	94681-87011	D - 12
90201-10591	B - 7	90338-18122	C - 9	90465-08045	B - 14		D - 11	93210-86509	B - 3	94701-00333	B - 2
90201-106F2	D - 11	90338-23172	C - 9	90465-10098	E - 14	92906-04100	E - 4	93211-06635	B - 2	95027-06008	B - 12
90201-10774	D - 4	90340-14117	B - 14	90465-18147	E - 14	92906-04600	E - 4	93306-00006	C - 3		E - 14
90201-107F8	B - 4	90381-15088	D - 5	90467-10038	D - 7	92907-04600	B - 11	93306-00308	C - 6	95027-06016	B - 14
90201-12016	D - 3	90383-20032	C - 15	90467-11044	E - 4	92907-05100	D - 14	93306-00431	C - 6	95027-06020	B - 14
90201-12163	C - 3	90386-12093	C - 4	90467-14057	E - 4		E - 12	93306-00438	B - 7	95027-06025	B - 7
90201-123K4	C - 2	90387-062E0	C - 12	90467-140A4	B - 13		E - 15	93306-00446	D - 9		B - 14
90201-124G9	D - 3	90387-063E6	E - 10	90467-22080	B - 9	92907-05200	E - 15	93306-00502	B - 7	95027-06030	B - 13
90201-126A7	D - 11		E - 11	90468-15139	E - 14	92907-06100	E - 7	93306-00710	D - 11		B - 14
90201-14021	D - 11	90387-063W7	D - 15	90468-16191	D - 4		E - 13	93306-07801	B - 14		E - 8
90201-14586	D - 9	90387-066J1	D - 7	90480-01400	D - 7	92907-06200	B - 12	93306-20231	D - 9	95027-06040	B - 14
90201-14691	C - 7	90387-07021	D - 7	90480-14102	E - 9	92907-06600	B - 7	93306-20301	C - 5	95027-06045	B - 14
90201-15018	C - 8	90387-07598	E - 9	90480-14555	E - 10		E - 7	93306-20331	C - 9	95027-06050	B - 13
	E - 3	90387-084N8	D - 2		E - 11		E - 13	93306-20401	C - 5	95027-06060	B - 13
90201-150U6	C - 6	90387-090R0	D - 4	90480-15005	B - 9	92907-10100	B - 4	93306-20501	C - 6	95302-06600	E - 8
90201-16018	C - 15	90387-101R3	D - 5	90480-18290	D - 7	93101-25106	B - 5	93306-20532	B - 5	95302-06700	C - 8

NUMERICAL INDEX

PART NO.	GRID NO.	PART NO.	GRID NO.	PART NO.	GRID NO.	PART NO.	GRID NO.	PART NO.	GRID NO.	PART NO.	GRID NO.
95302-10700	D - 4	97706-40620	E - 10								
95307-05600	E - 15		E - 11								
95307-05700	D - 14	97707-60025	B - 9								
95307-06600	E - 10	98501-04014	B - 11								
	E - 11	98506-04012	E - 4								
95307-08600	D - 11	98507-03008	D - 7								
95317-06700	D - 15	98507-04006	B - 11								
95602-06100	E - 12	98507-04008	B - 11								
95602-06200	C - 11		D - 15								
95604-06100	E - 2	98507-04010	B - 10								
95607-05100	D - 14	98507-04012	B - 11								
95607-06200	C - 12	98507-05014	E - 7								
95607-08200	C - 13	98507-05020	D - 14								
95607-12200	C - 15	98507-05030	E - 12								
	D - 3	98507-06012	B - 13								
95702-08500	D - 2		B - 15								
95702-10500	D - 9	98507-06030	E - 7								
	D - 11	98517-05012	E - 12								
95802-06030	D - 7	98707-06016	B - 13								
95802-08040	C - 15	98707-06030	B - 8								
95802-08045	B - 13	98907-06010	B - 12								
95807-06010	E - 14	99001-07600	C - 4								
95807-06020	E - 5	99001-09600	C - 3								
95807-06025	E - 9	99009-12400	C - 2								
95812-06014	C - 11	99530-12016	B - 13								
95812-06035	D - 15		B - 14								
95812-08016	E - 6	99530-14016	B - 2								
95817-08012	C - 9		B - 3								
95817-08016	B - 12										
95817-08055	C - 9										
95817-10025	E - 3										
95822-06010	C - 11										
95822-06016	D - 6										
95822-08012	C - 9										
	C - 12										
95822-08030	D - 4										
95827-06025	E - 2										
95827-08020	C - 13										
95827-08025	C - 13										
97002-05016	E - 12										
97002-08030	D - 2										
97007-06012	B - 2										
97007-06020	E - 13										
97007-06025	E - 13										
97012-06020	C - 8										
97022-08060	D - 4										
97027-06016	B - 7										
97702-60016	E - 13										