



# PARTS CATALOGUE

**YFM35RY** (5YTX) CANADA

**YFM35RY** (5YTY) EUROPE

**YFM35RY** (5YTW) OCEANIA

**YFM350R** (5YTW) JAPAN

YFM35RY/YFM350R  
PARTS CATALOGUE  
©2008 by Yamaha Motor Co., Ltd.  
1st edition, April 2008  
All rights reserved.  
Any reprinting or unauthorized use  
without the written permission of  
Yamaha Motor Co., Ltd.  
is expressly prohibited.

# FOREWORD

This Parts Catalogue is related to the parts for the model(s) on the cover page. When you are ordering replacement parts, please refer to this Parts Catalogue and quote both part numbers and part names correctly.

1. Modifications or additions which have been made after the issue of the Parts Catalogue will be announced in the Parts News.  
It is advisable that you make the necessary corrections to the Parts Catalogue according to the Parts News.

2. Abbreviations

The following abbreviations are used in this Parts Catalogue.

“UR” Use specified parts number.

“UN” Use as many as needed.

“AP” Alternate Parts

“LM” Locally Made (Parts need to be ordered locally)

“F#” Frame No. (Applicable machine No.)

“O/S” Over Size

3. The number of components for assembly

- Parts, which are to be supplied in an assembly, are listed with a dot (.) in front of the part name as shown below.
- The numeral appearing to the right of each component part indicates the quantity of parts for each assembly unit.

PART NO.	DESCRIPTION	Q'TY	REMARKS
2F5-83310-60	FRONT FLASHER LIGHT ASSY	2	
115-83311-60	.BULB (6V-18W)	1	

4. Applicable colours of graphics are represented in the “REMARKS” as shown below.

PART NO.	DESCRIPTION	Q'TY	REMARKS
2N4-24110-00-X5	FUEL TANK COMP.	2	MXR
3J1-24240-10	.GRAPHIC, FUEL TANK	1	FOR MXR

5. Note that the illustrations for reference in finding parts numbers are not to be used for assembling. When assembling, please use the applicable service manual.

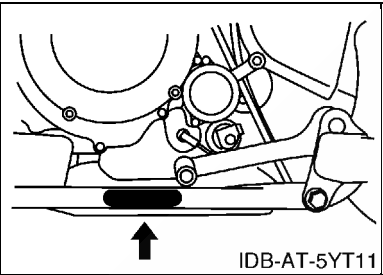
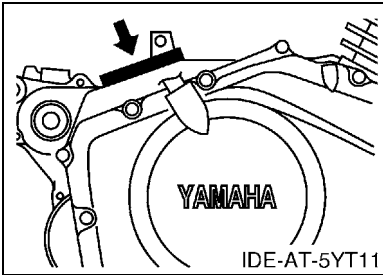
6. The asterisk (\*) before a reference number indicates modified items after the first edition.

# FOREWORD

7. Applicable Serial No.

Engine Serial No.

Frame Serial No.



8. Applicable Colour Code (The (\*) mark shows Model colour.)

Abbreviation	Colour Name	Colour Code
BWS1(*)	BLUISH WHITE SOLID 1	0892
DPBSE(*)	DEEP PURPLISH BLUE SOLID E	0583

9. Quantity Column Information

Column No.	Name Of Q'ty Column	Destination
1	CAN	CANADA
2	EUR	EUROPE
3	OCE	OCEANIA
4	JPN	JAPAN



# CONTENTS

## ENGINE

CYLINDER HEAD .....	1
CYLINDER .....	3
CRANKSHAFT & PISTON .....	4
VALVE .....	6
CAMSHAFT & CHAIN .....	7
OIL PUMP .....	8
INTAKE .....	9
CARBURETOR .....	10
EXHAUST .....	12
CRANKCASE .....	13
CRANKCASE COVER 1 .....	14
STARTER CLUTCH .....	16
CLUTCH .....	17
TRANSMISSION .....	19
SHIFT CAM & FORK .....	21

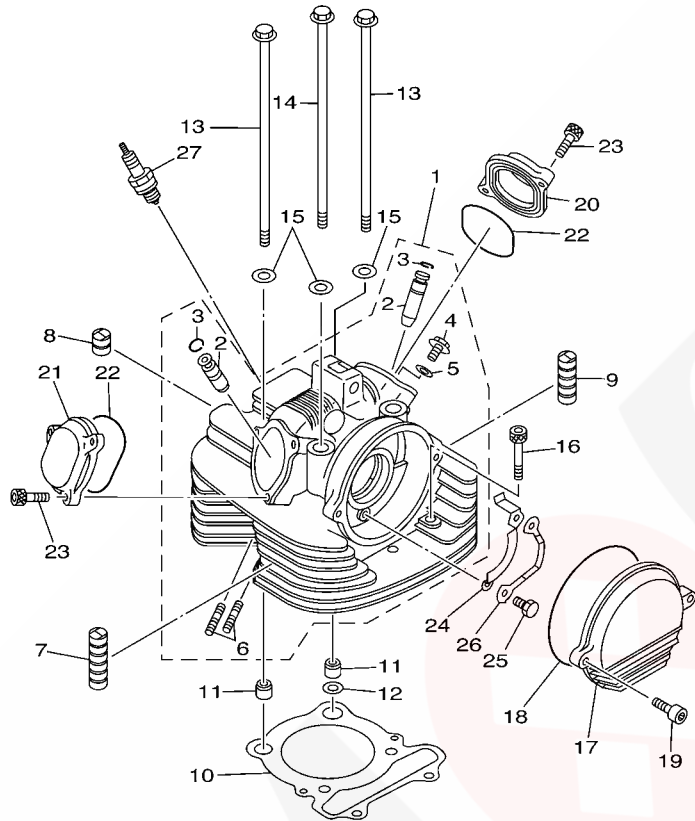
## CHASSIS

FRAME .....	23
FRONT FENDER .....	25
REAR FENDER .....	26
SIDE COVER .....	28
REAR ARM .....	29
REAR SUSPENSION .....	31
STEERING .....	32
FRONT SUSPENSION & WHEEL .....	33
FUEL TANK .....	35
SEAT .....	36
FRONT WHEEL .....	37
FRONT BRAKE CALIPER .....	38
REAR WHEEL .....	39
REAR BRAKE .....	41
STEERING HANDLE & CABLE .....	42
FRONT MASTER CYLINDER .....	44
STAND & FOOTREST .....	45
REAR MASTER CYLINDER .....	46
GUARD .....	48
GENERATOR .....	49
STARTING MOTOR .....	50
HEADLIGHT .....	51
TAILLIGHT .....	52
TAILLIGHT 2 .....	53

HANDLE SWITCH & LEVER .....	54
ELECTRICAL 1 .....	55
ELECTRICAL 2 .....	57
EMBLEM & LABEL 1 .....	58
EMBLEM & LABEL 2 .....	60
EMBLEM & LABEL 3 .....	61
EMBLEM & LABEL 4 .....	62

## INDEX

NUMERICAL INDEX .....	63
-----------------------	----



  
5YTG100-F010

**FIG. 1 CYLINDER HEAD**

REF. NO.	PART NO.	DESCRIPTION	CAN	EUR	OCÉ	JPN	REMARKS
1	5YT-11101-10	CYLINDER HEAD ASSY	1	1	1	1	
2	3Y1-11133-11	.GUIDE, VALVE 1	2	2	2	2	
3	93440-12052	.CIRCLIP	2	2	2	2	
4	90401-06001	.BOLT, UNION	1	1	1	1	
5	90430-06192	.GASKET	1	1	1	1	
6	90116-06041	.BOLT, STUD	2	2	2	2	
7	3Y1-11127-00	ABSORBER 3	8	8	8	8	
8	31G-11161-00	ABSORBER 1	2	2	2	2	
9	31G-11127-00	ABSORBER 3	2	2	2	2	
10	1UY-11181-01	GASKET, CYLINDER HEAD 1	1	1	1	1	
11	99530-14016	PIN, DOWEL	2	2	2	2	
12	90430-14240	GASKET	1	1	1	1	
13	90105-10137	BOLT, FLANGE	2	2	2	2	
14	90105-10136	BOLT, FLANGE	2	2	2	2	
15	90201-10128	WASHER, PLATE	4	4	4	4	
16	91312-08050	BOLT	2	2	2	2	
17	5NF-11185-00	COVER, CYLINDER HEAD SIDE 1	1	1	1	1	
18	93211-06635	O-RING	1	1	1	1	
19	91312-06025	BOLT	2	2	2	2	
20	2NL-11186-12	COVER, CYLINDER HEAD SIDE 2	1	1	1	1	
21	2NL-11187-11	COVER, CYLINDER HEAD SIDE 3	1	1	1	1	
22	93210-57634	O-RING	2	2	2	2	
23	91312-06020	BOLT	5	5	5	5	
24	3Y1-1111F-00	PLATE	1	1	1	1	
25	97002-06012	BOLT	2	2	2	2	
26	90215-06162	WASHER, LOCK	1	1	1	1	
27	94701-00333	PLUG, SPARK (NGK DR8EA)	1	1	1		





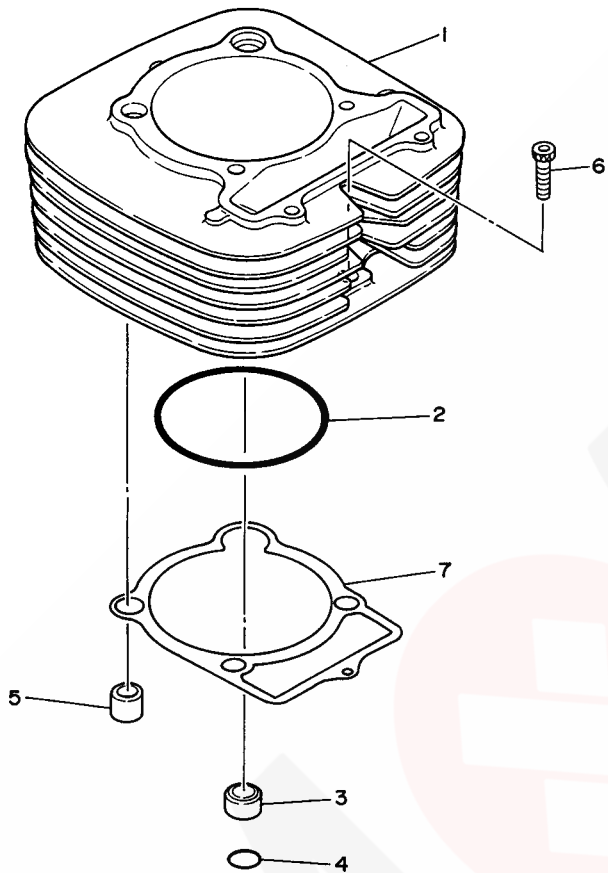


FIG. 2 CYLINDER

REF. NO.	PART NO.	DESCRIPTION	CAN	EUR	OCE	JPN	REMARKS
1	5YT-11310-00	CYLINDER	1	1	1	1	
2	93210-86509	O-RING	1	1	1	1	
3	90387-16547	COLLAR	1	1	1	1	
4	93210-18322	O-RING	1	1	1	1	
5	99530-14016	PIN, DOWEL	1	1	1	1	
6	91312-06030	BOLT	1	1	1	1	
7	4KB-11351-00	GASKET, CYLINDER	1	1	1	1	



IUY110-7020

FIG. 3 CRANKSHAFT & PISTON

REF. NO.	PART NO.	DESCRIPTION	CAN	EUR	OC	JPN	REMARKS
1	1UY-11400-00	CRANKSHAFT ASSY	1	1	1	1	
2	1UY-W1141-00	.CRANK SUB ASSY 1	1	1	1	1	
3	1UY-11422-00	.CRANK 2	1	1	1	1	
4	90240-07105	.PIN, CLEVIS	1	1	1	1	
5	90501-07629	.SPRING, COMPRESSION	1	1	1	1	
6	93602-13177	.PIN, DOWEL	1	1	1	1	
7	30X-11681-00	.PIN, CRANK 1	1	1	1	1	
8	93310-633T5	.BEARING	1	1	1	1	
9	1UY-11651-00	.ROD, CONNECTING	1	1	1	1	
10	90209-33253	.WASHER	2	2	2	2	
11	93306-30622	BEARING	1	1	1	1	
12	30X-11496-00	BOSS, BUFFER	1	1	1	1	
13	90501-22721	SPRING, COMPRESSION	6	6	6	6	
14	93605-10090	PIN, DOWEL	3	3	3	3	
15	3Y1-11531-02	GEAR, BALANCE WEIGHT	1	1	1	1	
16	30X-11565-00	WASHER, BEARING COVER	2	2	2	2	
17	90101-10017	BOLT	1	1	1	1	
18	92902-10100	WASHER, SPRING	1	1	1	1	
19	93210-16290	O-RING	1	1	1	1	
20	90201-10058	WASHER, PLATE	1	1	1	1	
21	90280-05048	KEY, WOODRUFF	1	1	1	1	
22	5UH-11631-00-C0	PISTON (STD)	1	1	1	1	
	5UH-11636-00	PISTON (0.50MM O/S)	1	1	1	1	AP
	5UH-11638-00	PISTON (1.00MM O/S)	1	1	1	1	AP
23	4GB-11610-00	PISTON RING SET (STD)	1	1	1	1	
	4GB-11610-20	PISTON RING SET (0.50MM O/S)	1	1	1	1	AP
	4GB-11610-40	PISTON RING SET (1.00MM O/S)	1	1	1	1	AP

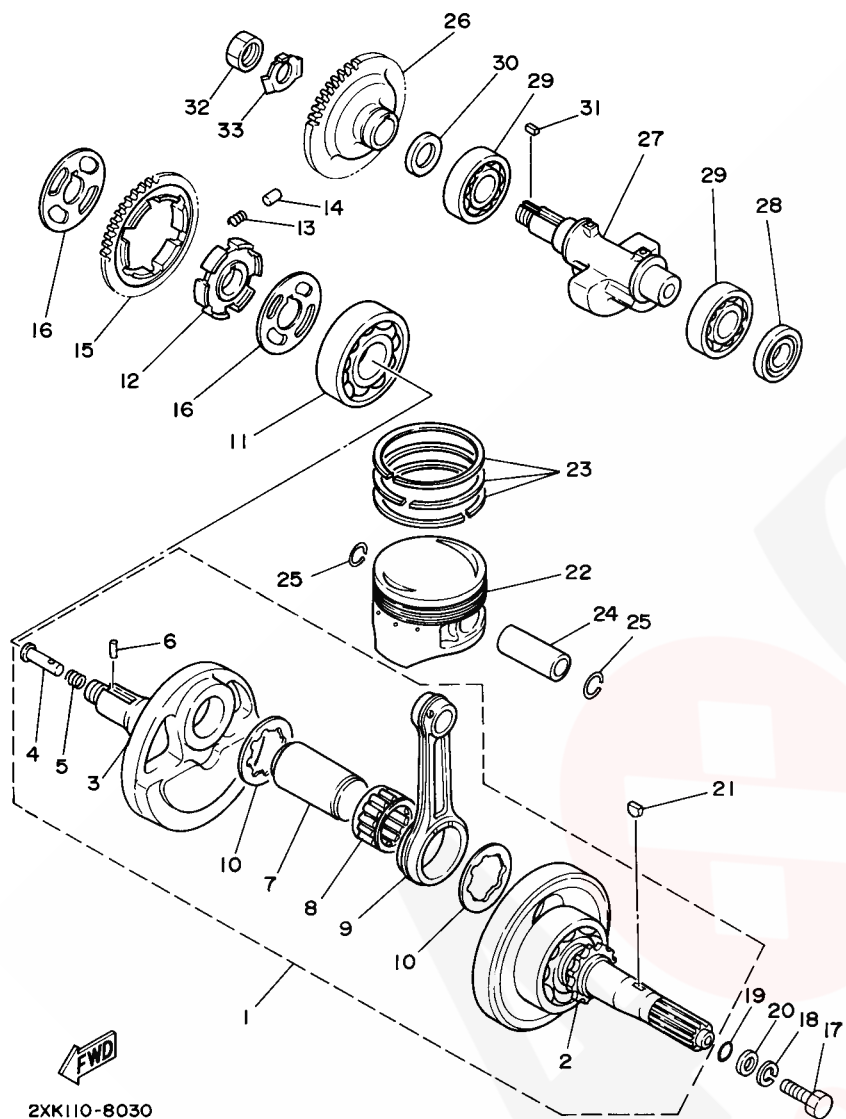
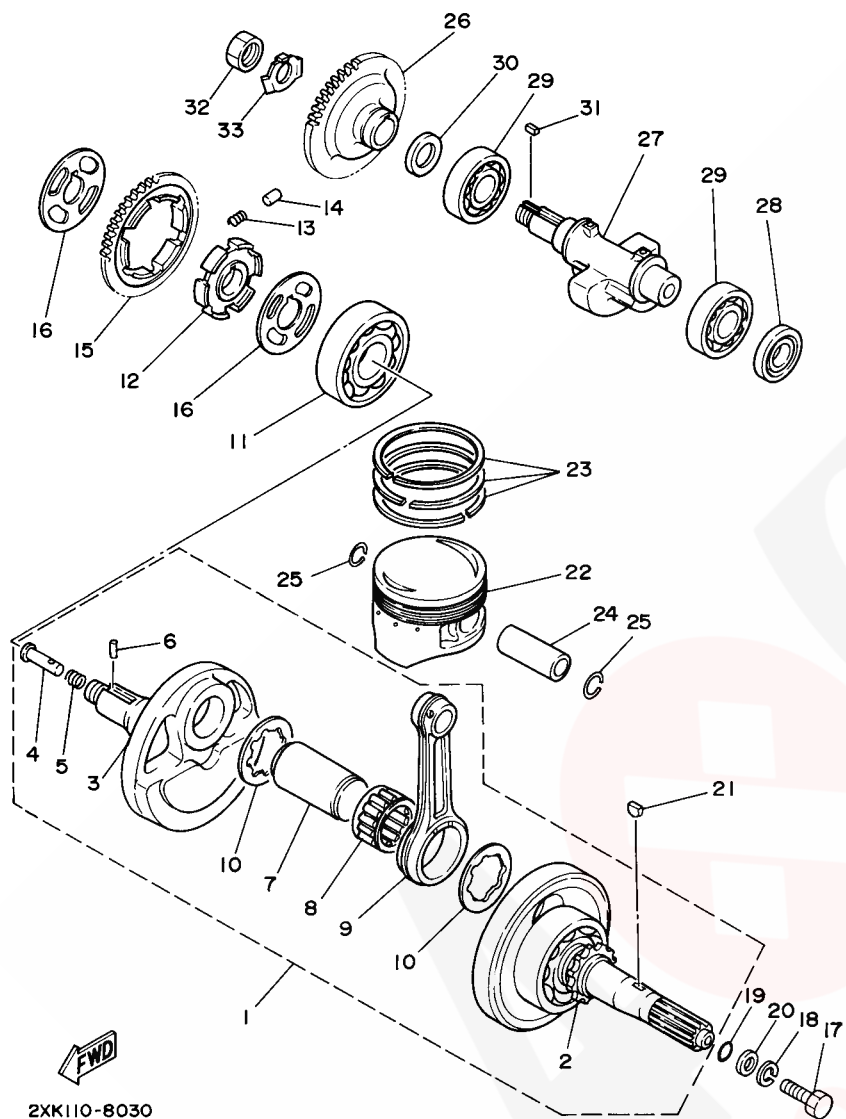
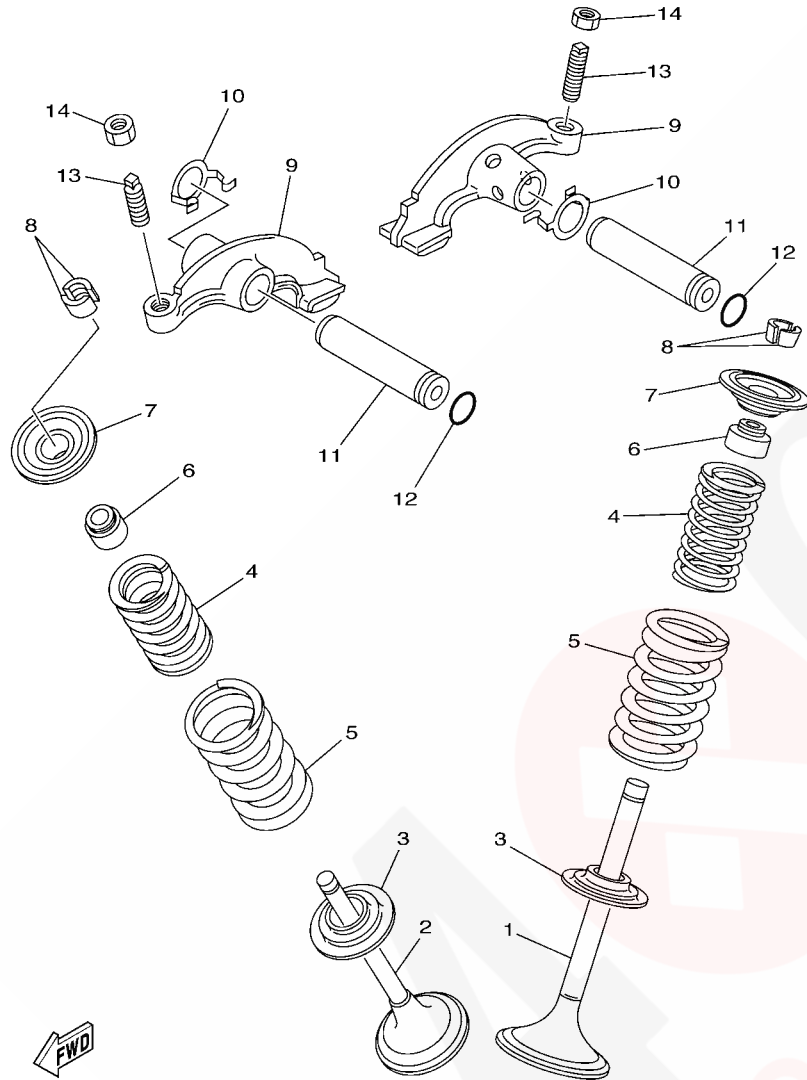


FIG. 3 CRANKSHAFT & PISTON

REF. NO.	PART NO.	DESCRIPTION	CAN	EUR	OCE	JPN	REMARKS
24	55V-11633-00	PIN, PISTON	1	1	1	1	
25	93450-19095	CIRCLIP	2	2	2	2	
26	1UY-11536-01	GEAR, DRIVE	1	1	1	1	
27	1UY-11454-00	WEIGHT 1	1	1	1	1	
28	93101-25106	OIL SEAL	1	1	1	1	
29	93306-20532	BEARING	2	2	2	2	
30	90201-207G6	WASHER, PLATE	1	1	1	1	
31	90282-05034	KEY, STRAIGHT	1	1	1	1	
32	90170-16326	NUT	1	1	1	1	
33	90215-16270	WASHER, LOCK	1	1	1	1	





4KBM100-1040

FIG. 4 VALVE

REF. NO.	PART NO.	DESCRIPTION	CAN	EUR	OCE	JPN	REMARKS
1	1UY-12111-01	VALVE, INTAKE	1	1	1	1	
2	1UY-12121-01	VALVE, EXHAUST	1	1	1	1	
3	3Y1-12116-00	SEAT, VALVE SPRING	2	2	2	2	
4	1UY-12113-01	SPRING, VALVE INNER	2	2	2	2	
5	1UY-12114-01	SPRING, VALVE OUTER	2	2	2	2	
6	M01-12129-00	SEAL, VALVE STEM	2	2	2	2	
7	3Y1-12117-01	RETAINER, VALVE SPRING	2	2	2	2	
8	1J7-12118-00	COTTER, VALVE	4	4	4	4	
9	3GD-12151-11	ARM, VALVE ROCKER	2	2	2	2	
10	90206-12001	WASHER, WAVE	2	2	2	2	
11	4SH-12156-00	SHAFT, ROCKER 2	2	2	2	2	
12	93210-09165	O-RING	2	2	2	2	
13	31G-12159-02	SCREW, VALVE ADJUSTING	2	2	2	2	
14	31G-12158-00	NUT, LOCK	2	2	2	2	

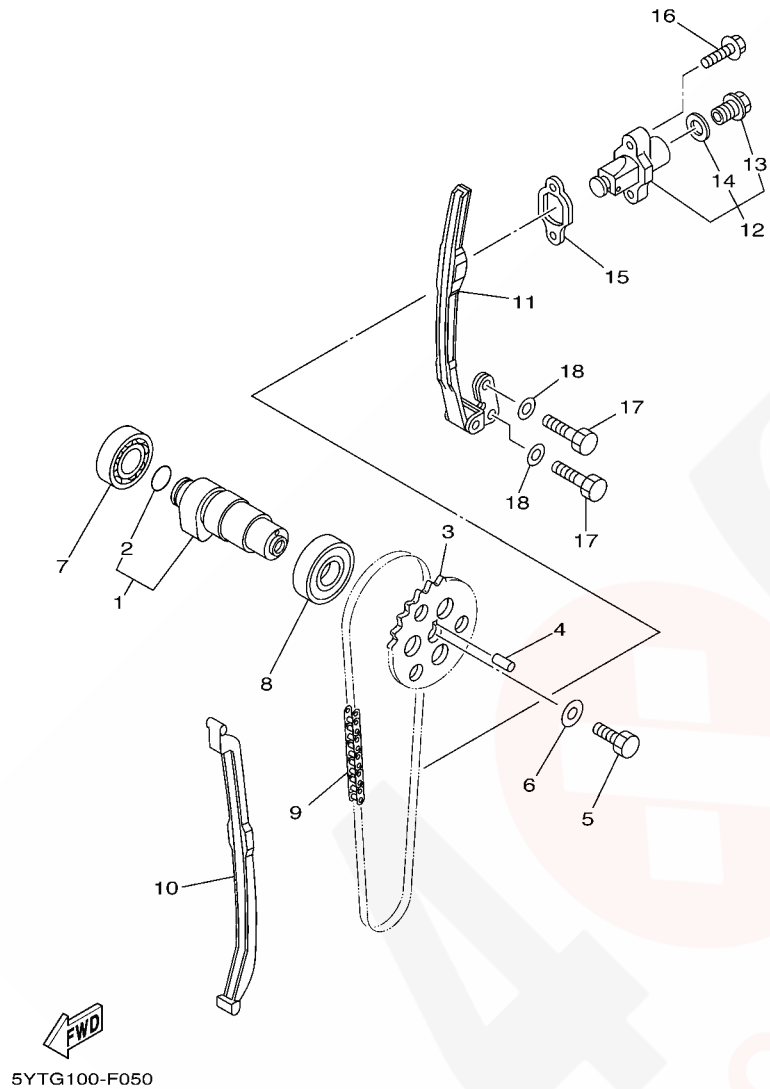
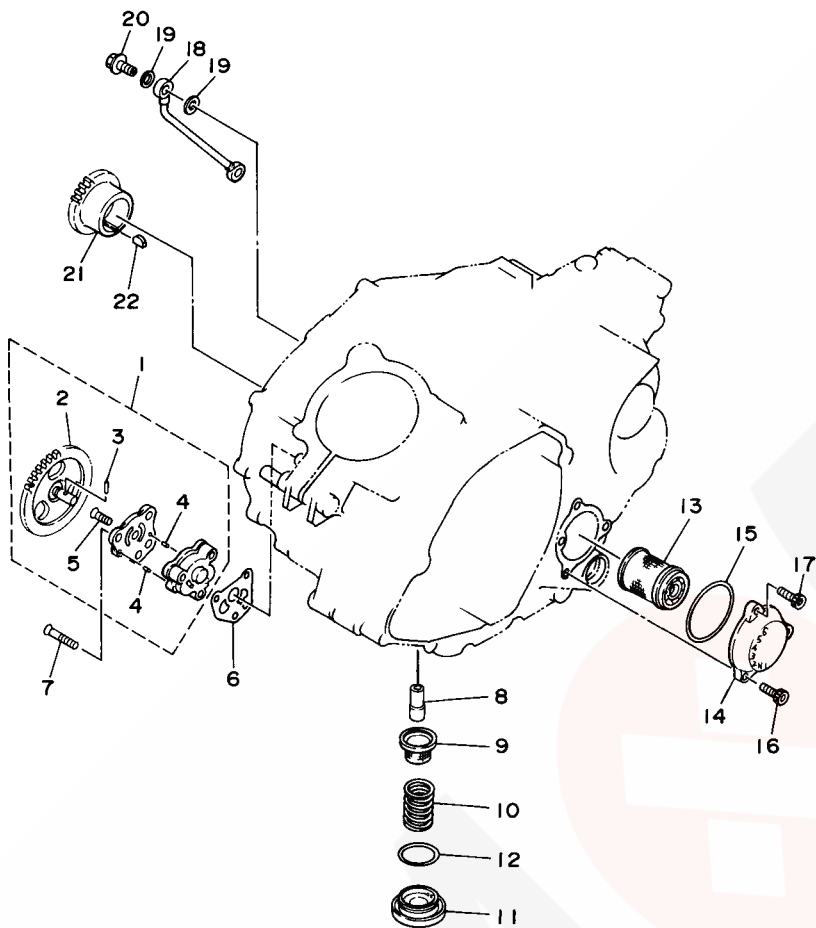


FIG. 5 CAMSHAFT & CHAIN

REF. NO.	PART NO.	DESCRIPTION	CAN	EUR	OCE	JPN	REMARKS
1	5UH-12170-10	CAMSHAFT ASSY 1	1	1	1	1	
2	93210-17003	.O-RING	1	1	1	1	
3	5YT-12176-00	SPROCKET, CAM CHAIN	1	1	1	1	
4	93604-10011	PIN, DOWEL	1	1	1	1	
5	90101-10016	BOLT	1	1	1	1	
6	90201-10591	WASHER, PLATE	1	1	1	1	
7	93306-00438	BEARING	1	1	1	1	NIHONSEIKO
8	93306-00502	BEARING	1	1	1	1	
9	94500-02090	CHAIN (BF05M 90L)	1	1	1	1	
10	3Y1-12231-01	GUIDE, STOPPER 1	1	1	1	1	
11	1UY-12241-00	GUIDE, STOPPER 2	1	1	1	1	
12	31G-12210-01	TENSIONER ASSY, CAM CHAIN	1	1	1	1	
13	31G-12222-00	.PLUG	1	1	1	1	
14	31G-12214-00	.GASKET	1	1	1	1	
15	3GD-12213-00	GASKET, TENSIONER CASE	1	1	1	1	
16	95022-06025	BOLT, FLANGE	2	2	2	2	
17	97022-06016	BOLT	2	2	2	2	
18	92902-06600	WASHER, PLATE	2	2	2	2	

FIG. 6 OIL PUMP

REF. NO.	PART NO.	DESCRIPTION	CAN	EUR	OC	JPN	REMARKS
1	1UY-13300-00	OIL PUMP ASSY	1	1	1	1	
2	1UY-13326-00	.GEAR, PUMP DRIVEN 2	1	1	1	1	
3	93603-12030	.PIN, DOWEL	1	1	1	1	
4	93603-07073	.PIN, DOWEL	2	2	2	2	
5	90151-06010	.SCREW, COUNTERSUNK	1	1	1	1	
6	3GD-13329-00	GASKET, PUMP COVER	1	1	1	1	
7	98702-06030	SCREW, FLAT HEAD	3	3	3	3	
8	2XK-13416-00	PIPE, OIL 1	1	1	1	1	
9	51Y-13411-00	STRAINER, OIL	1	1	1	1	
10	90501-18576	SPRING, COMPRESSION	1	1	1	1	
11	30X-15351-00	PLUG, DRAIN	1	1	1	1	
12	93210-35520	O-RING	1	1	1	1	
13	1UY-13440-02	ELEMENT ASSY, OIL CLEANER	1	1	1	1	
14	3GD-13447-00	COVER, OIL ELEMENT	1	1	1	1	
15	93210-54175	O-RING	1	1	1	1	
16	91312-06020	BOLT	2	2	2	2	
17	90110-06189	BOLT, HEXAGON SOCKET HEAD	1	1	1	1	
18	1UY-13161-01	PIPE, DELIVERY 1	1	1	1	1	
19	90430-08119	GASKET	4	4	4	4	
20	90401-08004	BOLT, UNION	2	2	2	2	
21	1UY-13324-00	GEAR, PUMP DRIVE	1	1	1	1	
22	90280-05013	KEY, WOODRUFF	1	1	1	1	



3GD1110-9060

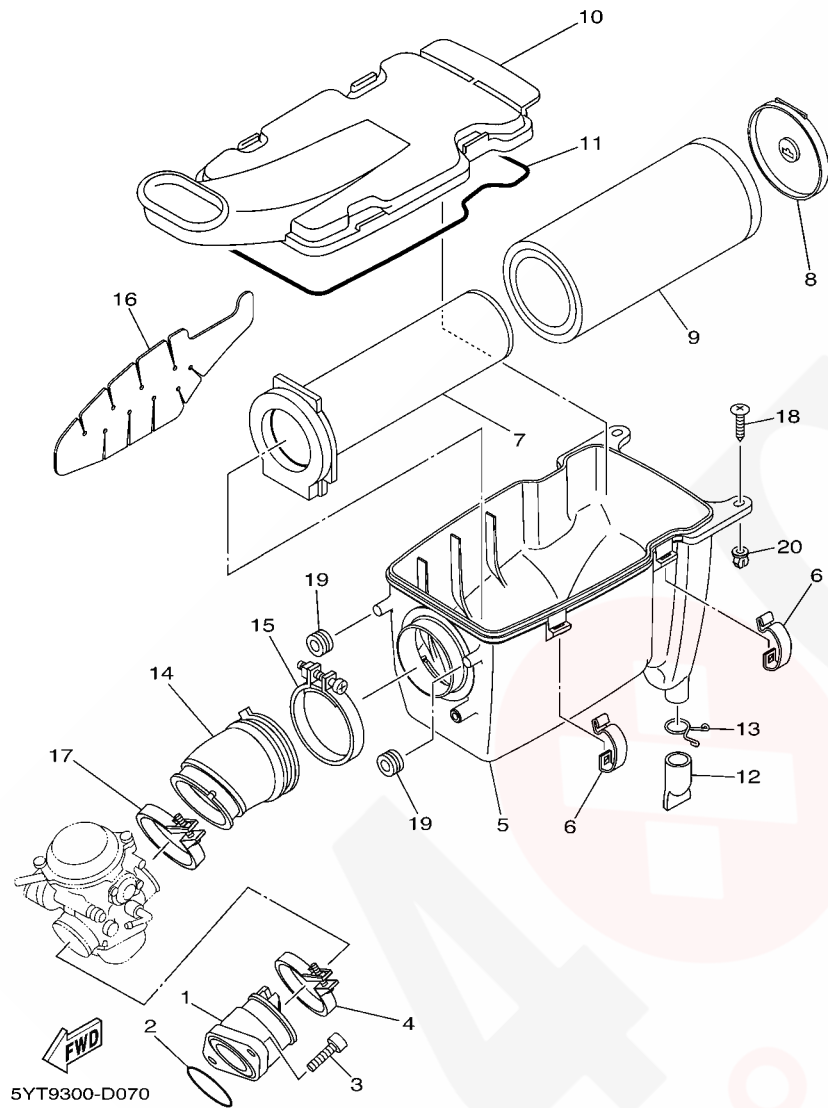


FIG. 7 INTAKE

REF. NO.	PART NO.	DESCRIPTION	CAN	EUR	OC	JPN	REMARKS
1	5YT-13586-00	JOINT, CARBURETOR 1	1	1	1	1	
2	93210-44545	O-RING	1	1	1	1	
3	91312-08025	BOLT	2	2	2	2	
4	90450-52003	HOSE CLAMP ASSY	1	1	1	1	
5	5YT-14411-00	CASE, AIR CLEANER 1	1	1	1	1	
6	5GH-14436-00	HOOK	4	4	4	4	
7	1UY-14458-01	GUIDE	1	1	1	1	
8	1UY-14468-00	PLATE,ELEMENT FITTING	1	1	1	1	
9	1UY-14451-00	ELEMENT, AIR CLEANER	1	1	1	1	
10	5YT-14412-01	CAP, CLEANER CASE 1	1	1	1	1	
11	4FU-14452-00	SEAL	1	1	1	1	
12	59V-14457-00	SEAL	1	1	1	1	
13	90467-220A1	CLIP	1	1	1	1	
14	5YT-14453-00	JOINT, AIR CLEANER 1	1	1	1	1	
15	90460-75020	CLAMP, HOSE	1	1	1	1	
16	5YT-1442F-00	PROTECTOR	1	1	1	1	
17	90450-63004	HOSE CLAMP ASSY	1	1	1	1	
18	97702-60025	SCREW, TAPPING	2	2	2	2	
19	90480-15005	GROMMET	2	2	2	2	
20	90338-08226	PLUG	2	2	2	2	

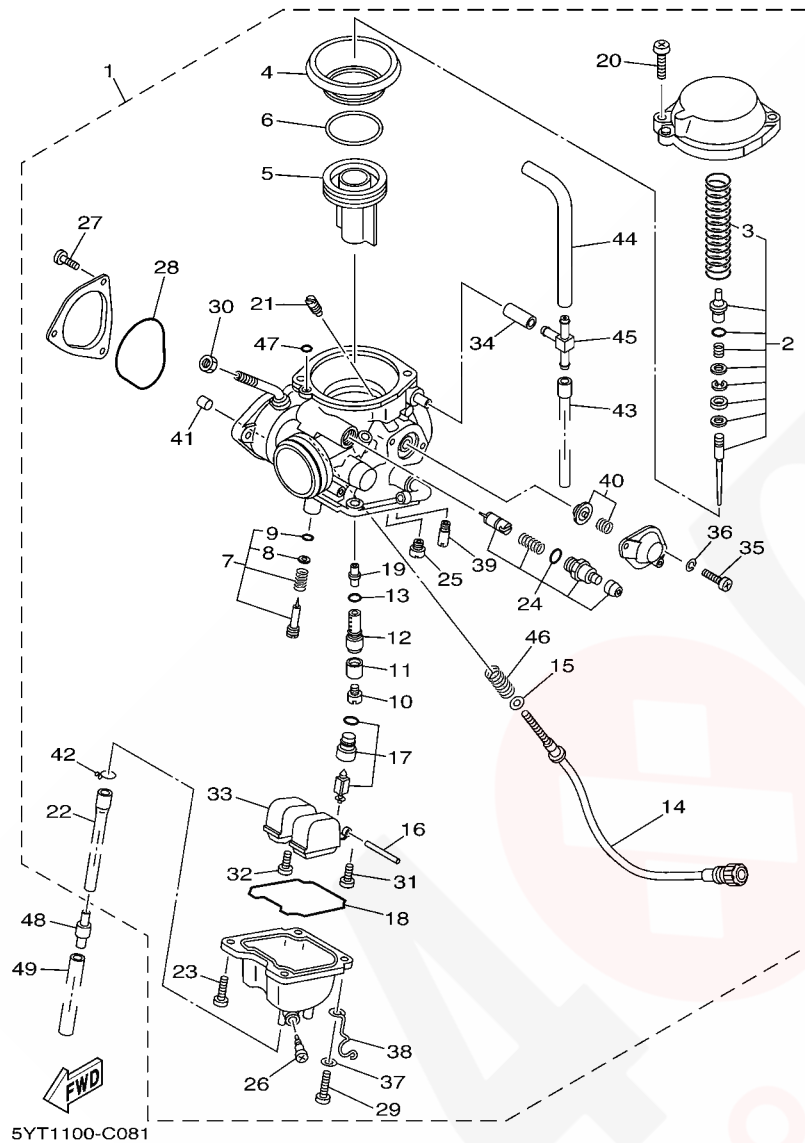


FIG. 8 CARBURETOR

REF. NO.	PART NO.	DESCRIPTION	CAN	EUR	OC	JPN	REMARKS
1	5YT-14901-10	CARBURETOR ASSY 1	1				
	5YT-14901-00	CARBURETOR ASSY 1		1	1	1	
2	5YT-1490J-10	.NEEDLE SET	1				
	5YT-1490J-00	.NEEDLE SET		1	1	1	
3	5YT-24423-00	..SPRING, DIAPHRAGM	1	1	1	1	
4	8FA-14940-00	.DIAPHRAGM ASSY	1	1	1	1	
5	5YT-14112-00	.VALVE, THROTTLE 1	1	1	1	1	
6	5YT-14194-00	.RING	1	1	1	1	
7	5MP-14105-00	.PILOT SCREW SET	1	1	1	1	
8	3H1-14962-00	..WASHER	1	1	1	1	
9	3H1-14147-00	..O-RING	1	1	1	1	
10	3G2-1423A-79	.JET, MAIN (#142.5)	1	1	1	1	
11	5GH-14918-00	.RING	1	1	1	1	
12	5YT-14261-00	.HOLDER	1	1	1	1	
13	583-14561-00	.O-RING	1	1	1	1	
14	5YT-14123-00	.SCREW, AIR ADJUSTING	1	1	1	1	
15	5FU-14962-00	.WASHER	1	1	1	1	
16	127-14186-00	.PIN, FLOAT	1	1	1	1	
17	5YT-14190-25	.NEEDLE VALVE ASSY	1	1	1	1	
18	5DM-14561-00	.O-RING	1	1	1	1	
19	5YT-14141-40	.NOZZLE, MAIN	1	1	1	1	
20	4KM-14216-00	.SCREW	2	2	2	2	
21	1HX-14231-33	.JET, MAIN (#165)	1	1	1	1	
22	5YT-14193-00	.PIPE	1	1	1	1	
23	98507-04010	.SCREW, PAN HEAD	3	3	3	3	
24	5YT-1410A-00	.STARTER SET	1	1	1	1	
25	3G2-14231-14	.JET,PILOT AIR(#70)	1	1	1	1	



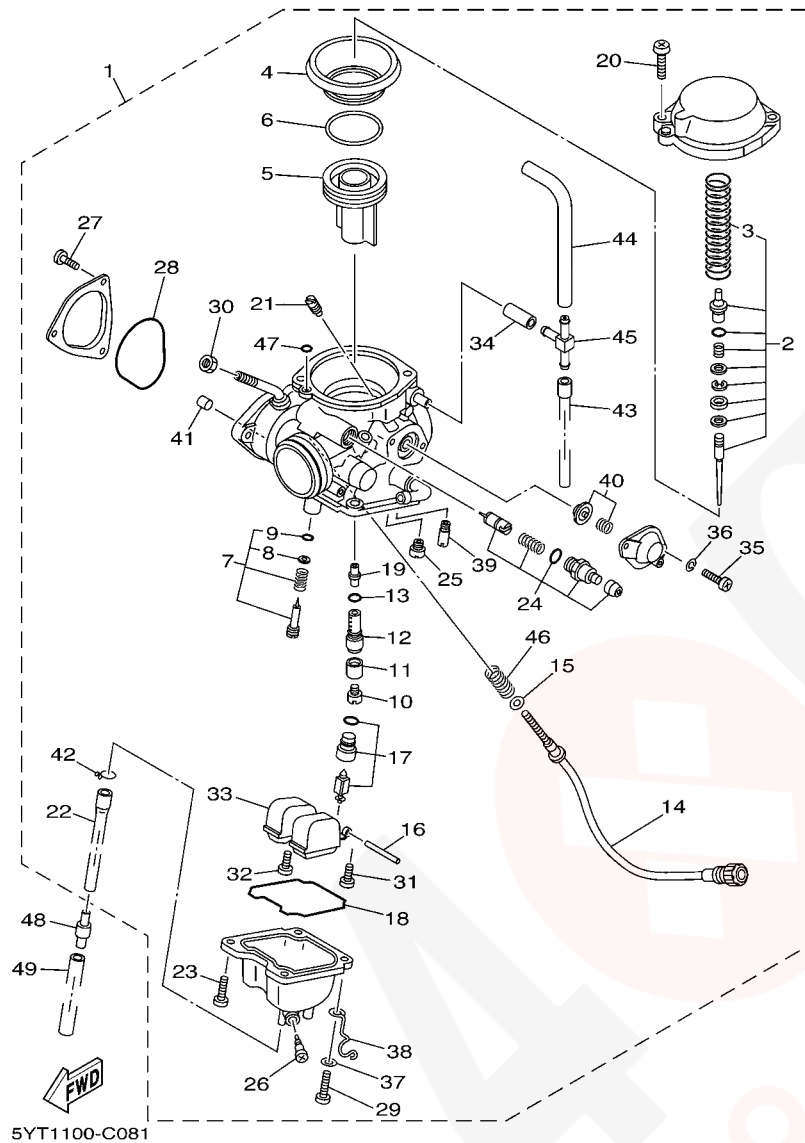


FIG. 8 CARBURETOR

REF. NO.	PART NO.	DESCRIPTION	CAN	EUR	OCE	JPN	REMARKS
26	5LW-14191-00	.PLUG, DRAIN	1	1	1	1	
27	98507-04006	.SCREW, PAN HEAD	3	3	3	3	
28	5LP-14147-00	.O-RING	1	1	1	1	
29	98507-04012	.SCREW, PAN HEAD	1	1	1	1	
30	522-14161-00	.NUT, CABLE ADJUSTING	1	1	1	1	
31	98507-04008	.SCREW, PAN HEAD	1	1	1	1	
32	1FN-14565-00	.SCREW	1	1	1	1	
33	5DM-14985-00	.FLOAT	1	1	1	1	
34	5YT-14197-00	.PIPE	1	1	1	1	
35	98501-04014	.SCREW, PAN HEAD	2	2	2	2	
36	92902-04100	.WASHER, SPRING	2	2	2	2	
37	92907-04600	.WASHER	1	1	1	1	
38	5KM-14937-00	.CLIP	1	1	1	1	
39	4KM-14142-22	.JET, PILOT (# 22.5)	1	1	1	1	
40	5YT-1490H-00	.DIAPHRAGM SET 5	1	1	1	1	
41	3GD-14155-00	.GUIDE, CABLE	1	1	1	1	
42	80N-14139-00	.CLIP, PIPE	1	1	1	1	
43	5YT-14197-20	.PIPE	1	1	1	1	
44	5YT-14197-10	.PIPE	1	1	1	1	
45	28V-14988-00	.PIPE, STARTER CONNECTING	1	1	1	1	
46	137-14133-00	.SPRING, THROTTLE STOP	1	1	1	1	
47	354-14147-00	.O-RING	1	1	1	1	
48	24W-14193-00	PIPE	1	1	1	1	
49	91A20-07010	TUBE, FLEXIBLE VINYL	1	1	1	1	

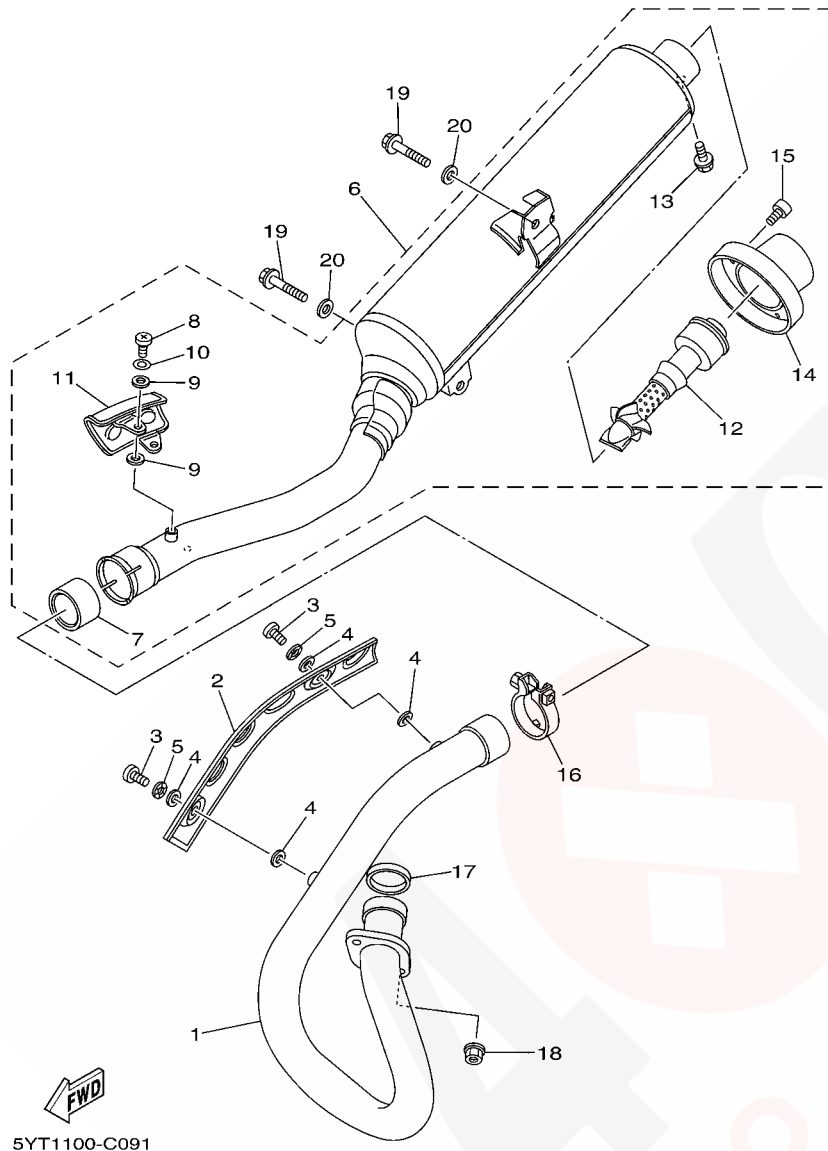
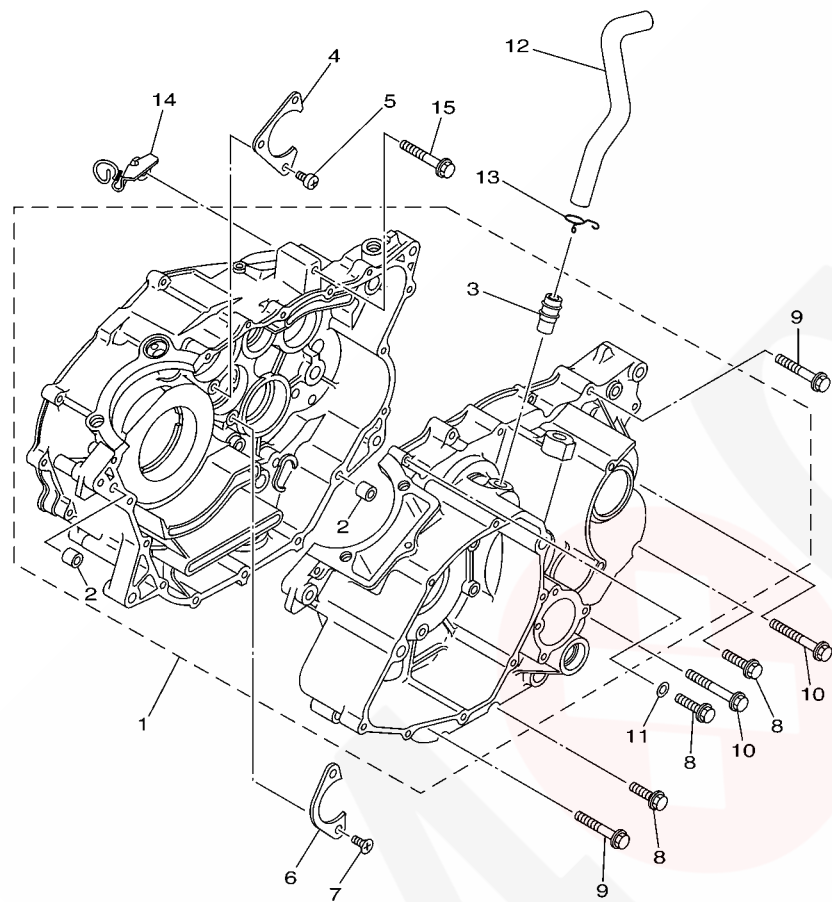


FIG. 9 EXHAUST

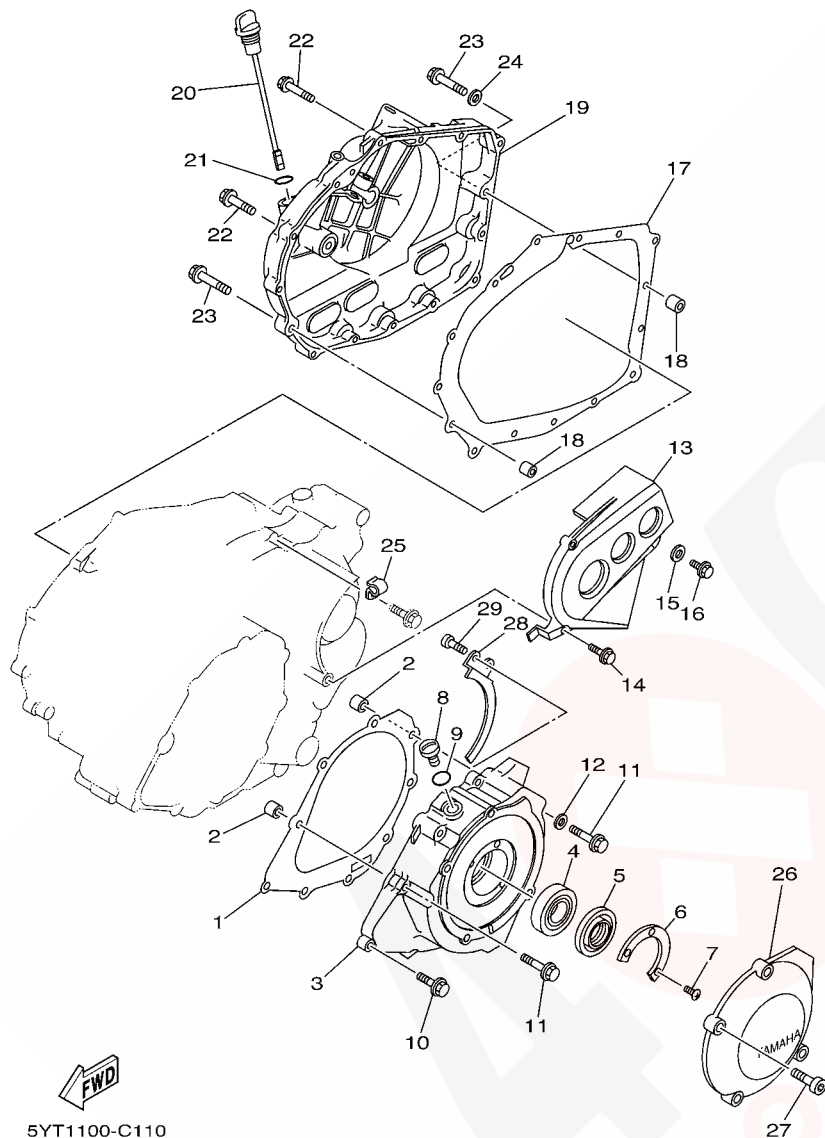
REF. NO.	PART NO.	DESCRIPTION	CAN	EUR	OC	JPN	REMARKS
1	1UY-14611-02	PIPE, EXHAUST 1	1	1	1	1	
2	5YT-14628-00	PROTECTOR, EXHAUST PIPE	1	1	1	1	
3	98902-06010	SCREW, BIND	2	2	2	2	
4	90201-05015	WASHER, PLATE	4	4	4	4	
5	92902-06200	WASHER	2	2	2	2	
6	5YT-14710-00	MUFFLER ASSY 1	1	1	1	1	
7	4WM-14755-00	.GASKET, SILENCER	1	1	1	1	
8	98902-06010	.SCREW, BIND	2	2	2	2	
9	90201-05015	.WASHER, PLATE	4	4	4	4	
10	92902-06200	.WASHER	2	2	2	2	
11	5YT-14708-01	.PROTECTOR ASSY	1	1	1	1	
12	5TG-14752-00	.PIPE, OUTLET	1	1	1	1	
13	95022-06008	.BOLT, FLANGE	1	1	1	1	
14	5YT-14787-00	.CAP, SILENCER	1	1	1	1	
15	90110-06134	.BOLT, HEXAGON SOCKET HEAD	3	3	3	3	
16	5YT-14788-00	BAND, SILENCER	1	1	1	1	
17	3GD-14613-00	GASKET, EXHAUST PIPE	1	1	1	1	
18	90179-06668	NUT	2	2	2	2	
19	95812-08016	BOLT, FLANGE	2	2	2	2	
20	90201-08048	WASHER, PLATE	2	2	2	2	



5YT1100-C100

FIG. 10 CRANKCASE

REF. NO.	PART NO.	DESCRIPTION	CAN	EUR	OC	JPN	REMARKS
1	3GD-15100-03	CRANKCASE ASSY	1	1	1	1	
2	99530-12016	.PIN, DOWEL	2	2	2	2	
3	371-11167-01	.PIPE, BREATHER 2	1	1	1	1	
4	3R4-15381-00	PLATE, BEARING COVER	1	1	1	1	
5	98502-06012	SCREW, PAN HEAD	3	3	3	3	
6	1UY-15383-00	PLATE, BEARING COVER	1	1	1	1	
7	98702-06016	SCREW, FLAT HEAD	2	2	2	2	
8	95022-06030	BOLT, FLANGE	8	8	8	8	
9	95022-06050	BOLT, FLANGE	6	6	6	6	
10	95022-06060	BOLT, FLANGE	2	2	2	2	
11	90430-06014	GASKET	1	1	1	1	
12	5YT-11166-00	PIPE, BREATHER 1	1	1	1	1	
13	90467-140A4	CLIP	1	1	1	1	
14	5YT-15441-10	HOLDER, CLUTCH CABLE	1	1	1	1	
15	95802-08045	BOLT, FLANGE	1	1	1	1	



5YT1100-C110

FIG. 11 CRANKCASE COVER 1

REF. NO.	PART NO.	DESCRIPTION	CAN	EUR	OC	JPN	REMARKS
1	3GD-15451-00	GASKET, CRANKCASE COVER 1	1	1	1	1	
2	99530-12016	PIN, DOWEL	2	2	2	2	
3	3GD-15787-03	ADAPTOR	1	1	1	1	
4	93306-07801	BEARING	1	1	1	1	
5	93102-28476	OIL SEAL	1	1	1	1	
6	21V-15719-00	WASHER, THRUST	1	1	1	1	
7	90151-05023	SCREW, COUNTERSUNK	2	2	2	2	
8	90340-14117	PLUG, STRAIGHT SCREW	1	1	1	1	
9	93210-14369	O-RING	1	1	1	1	
10	95022-06025	BOLT, FLANGE	4	4	4	4	
11	95022-06045	BOLT, FLANGE	5	5	5	5	
12	90430-06014	GASKET	1	1	1	1	
13	1UY-15421-00	COVER, CRANKCASE 2	1	1	1	1	
14	95022-06020	BOLT, FLANGE	2	2	2	2	
15	90201-06085	WASHER, PLATE	1	1	1	1	
16	95022-06016	BOLT, FLANGE	1	1	1	1	
17	3GD-15461-00	GASKET, CRANKCASE COVER 2	1	1	1	1	
18	99530-12016	PIN, DOWEL	2	2	2	2	
19	3GD-15431-10	COVER, CRANKCASE 3	1	1	1	1	
20	1UY-15362-01	PLUG, OIL LEVEL	1	1	1	1	
21	93210-19522	O-RING	1	1	1	1	
22	95022-06030	BOLT, FLANGE	13	13	13	13	
23	95022-06040	BOLT, FLANGE	2	2	2	2	
24	90430-06014	GASKET	1	1	1	1	
25	90465-08045	CLAMP	1	1	1	1	
26	3GD-15411-00	COVER, CRANKCASE 1	1	1	1	1	
27	92012-06025	BOLT, BUTTON HEAD	4	4	4	4	

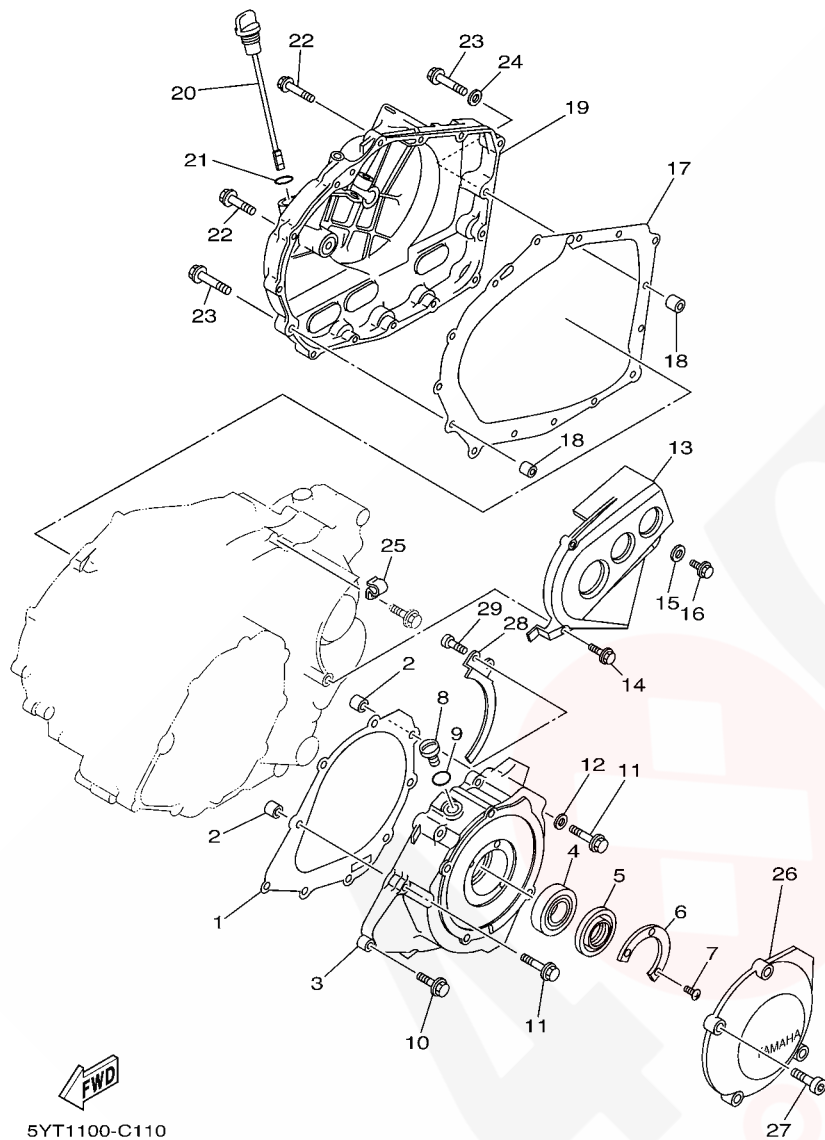


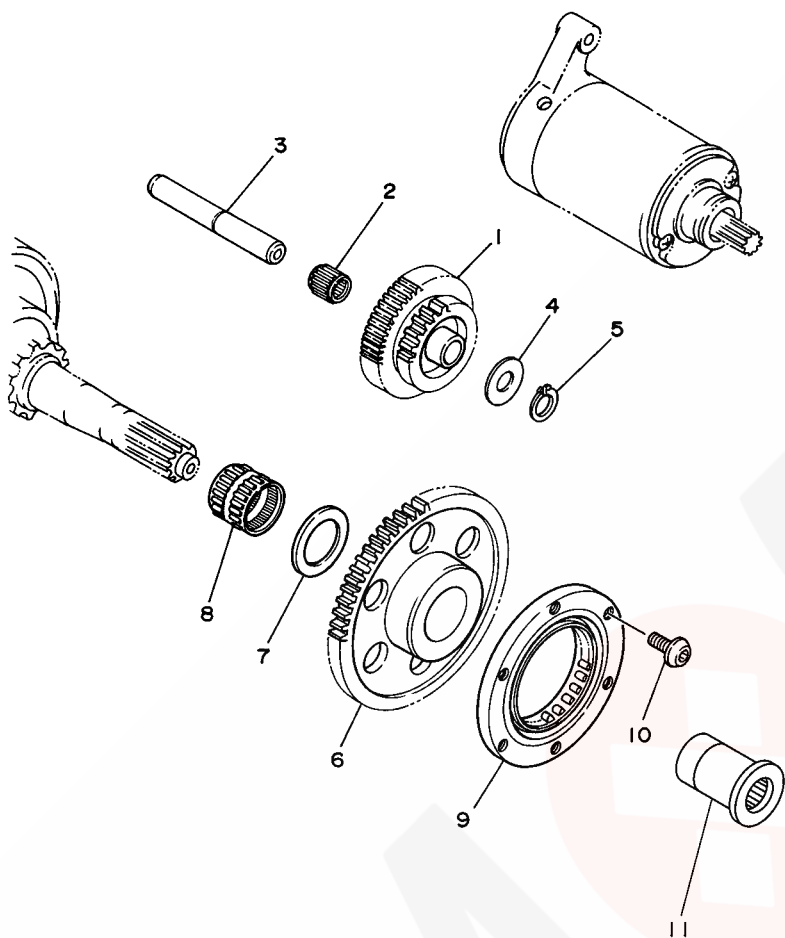
FIG. 11 CRANKCASE COVER 1

REF. NO.	PART NO.	DESCRIPTION	CAN	EUR	OCE	JPN	REMARKS
28	1UY-81175-01	STOPPER 1	1	1	1	1	
29	98502-06012	SCREW, PAN HEAD	2	2	2	2	

5YT1100-C110

FIG. 12 STARTER CLUTCH

REF. NO.	PART NO.	DESCRIPTION	CAN	EUR	OC	JPN	REMARKS
1	1UY-15512-00	GEAR, IDLER 1	1	1	1	1	
2	93310-212L6	BEARING	2	2	2	2	
3	1UY-15521-02	SHAFT 1	1	1	1	1	
4	90201-123K4	WASHER, PLATE	1	1	1	1	
5	99009-12400	CIRCLIP	1	1	1	1	
6	1UY-15517-01	GEAR, IDLER 2 (65T)	1	1	1	1	
7	90201-25291	WASHER, PLATE	1	1	1	1	
8	93310-225N0	BEARING	1	1	1	1	
9	1UY-15590-01	STARTER ONE-WAY ASSY	1	1	1	1	
10	90149-08016	SCREW	6	6	6	6	
11	3GD-15777-10	BOSS, STARTER PULLEY	1	1	1	1	



5YT1100-C120

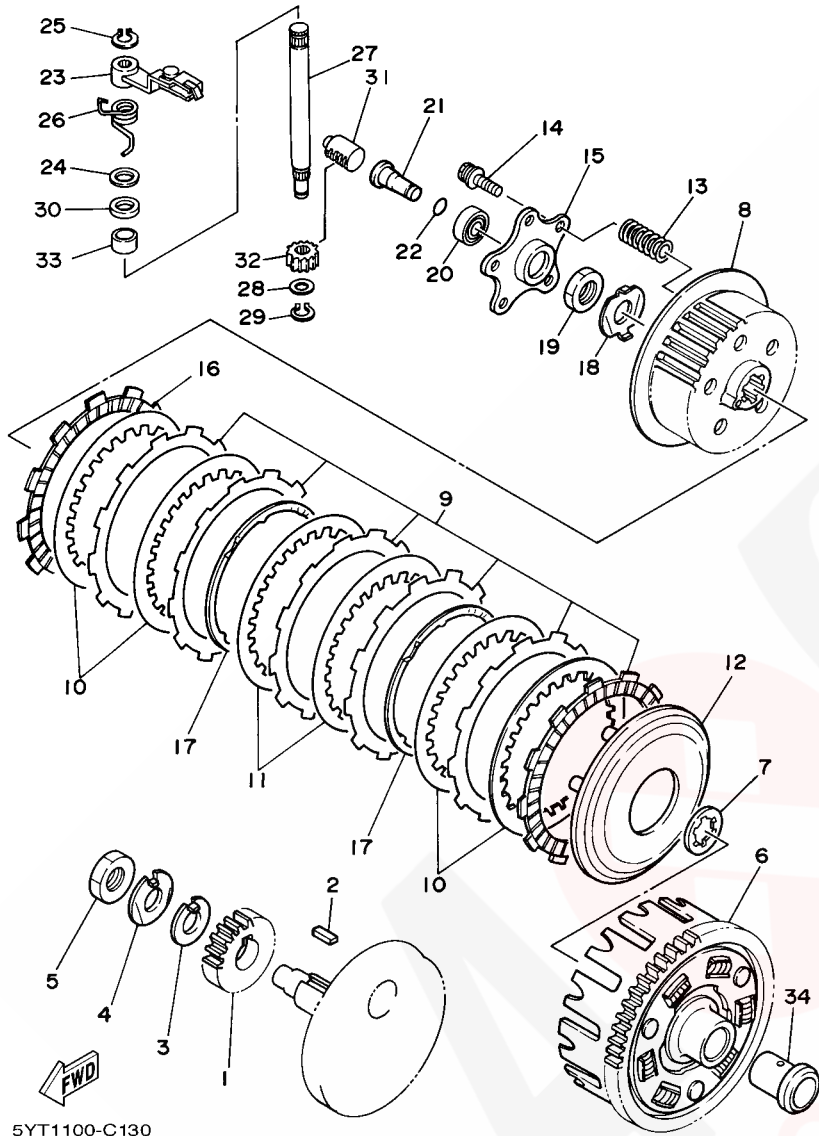
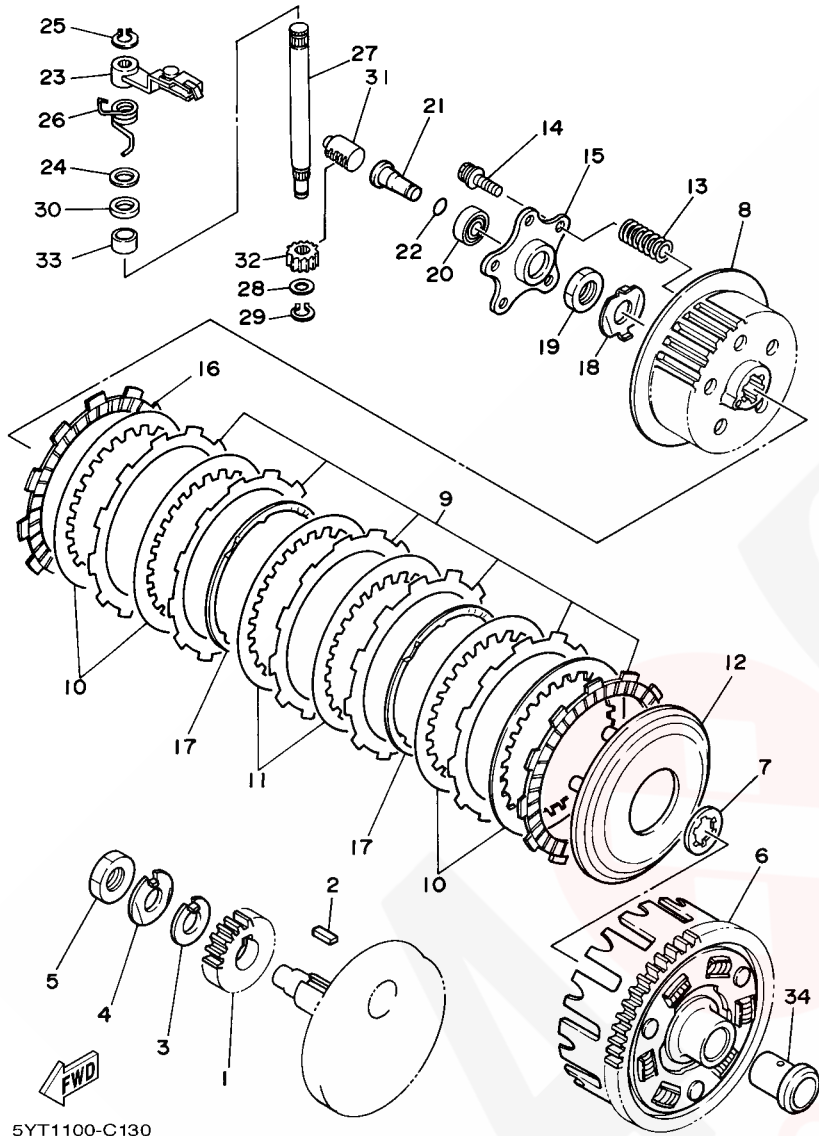


FIG. 13 CLUTCH

REF. NO.	PART NO.	DESCRIPTION	CAN	EUR	OC	JPN	REMARKS
1	1UY-16111-10	GEAR, PRIMARY DRIVE	1	1	1	1	
2	90282-07057	KEY, STRAIGHT	1	1	1	1	
3	90215-16156	WASHER, LOCK	1	1	1	1	
4	90215-16222	WASHER, LOCK	1	1	1	1	
5	90170-16343	NUT	1	1	1	1	
6	2NL-16150-00	PRIMARY DRIVEN GEAR COMP.(76T)	1	1	1	1	
7	30X-16154-00	PLATE, THRUST 1	1	1	1	1	
8	1UY-16371-02	BOSS, CLUTCH	1	1	1	1	
9	5Y1-16331-01	PLATE, FRICTION 2	6	6	6	6	
10	168-16325-00	PLATE, CLUTCH 2 (T=1.6)	4	4	4	4	
11	3J2-16324-00	PLATE, CLUTCH 1 (T=2.0)	2	2	2	2	
12	1UY-16351-00	PLATE, PRESSURE 1	1	1	1	1	
13	90501-231E9	SPRING, COMPRESSION	5	5	5	5	
14	90159-06029	SCREW, WITH WASHER	5	5	5	5	
15	1UY-16352-00	PLATE, PRESSURE 2	1	1	1	1	
16	31A-16321-01	PLATE, FRICTION	1	1	1	1	
17	5Y1-16383-00	SPRING, CLUTCH BOSS	2	2	2	2	
18	90215-16258	WASHER, LOCK	1	1	1	1	
19	90170-16326	NUT	1	1	1	1	
20	93306-00006	BEARING	1	1	1	1	
21	1UY-16358-00	PLATE, PUSH	1	1	1	1	
22	93210-06422	O-RING	1	1	1	1	
23	5YT-16340-00	PUSH LEVER ASSY	1	1	1	1	
24	90201-12163	WASHER, PLATE	1	1	1	1	
25	99001-09600	CIRCLIP	1	1	1	1	
26	90508-16022	SPRING, TORSION	1	1	1	1	
27	1UY-16382-00	AXLE, PUSH LEVER	1	1	1	1	



5YT1100-C130

FIG. 13 CLUTCH

REF. NO.	PART NO.	DESCRIPTION	CAN	EUR	OCE	JPN	REMARKS
28	90201-08070	WASHER, PLATE	1	1	1	1	
29	99001-07600	CIRCLIP	1	1	1	1	
30	93102-12224	OIL SEAL	1	1	1	1	
31	1UY-16356-00	ROD, PUSH 1	1	1	1	1	
32	3LD-16398-00	PINION, RELEAS	1	1	1	1	
33	90386-12093	BUSH	1	1	1	1	
34	1UY-16181-00	SPACER 1	1	1	1	1	



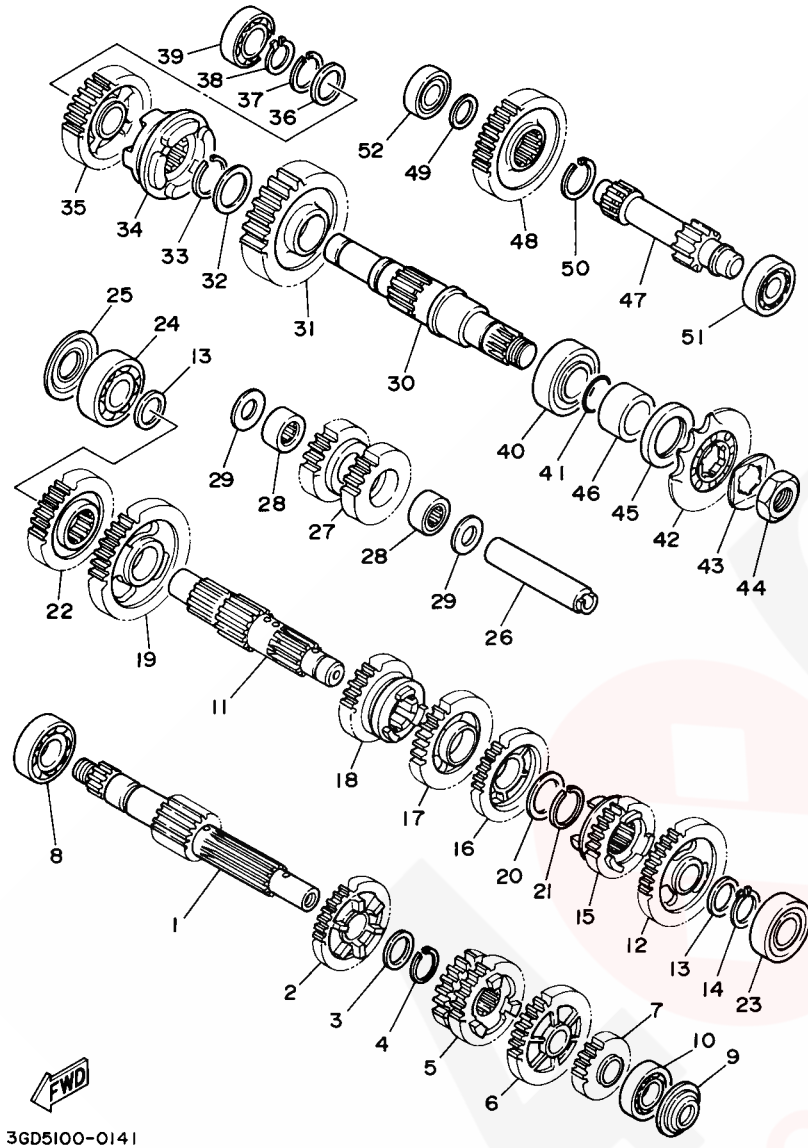
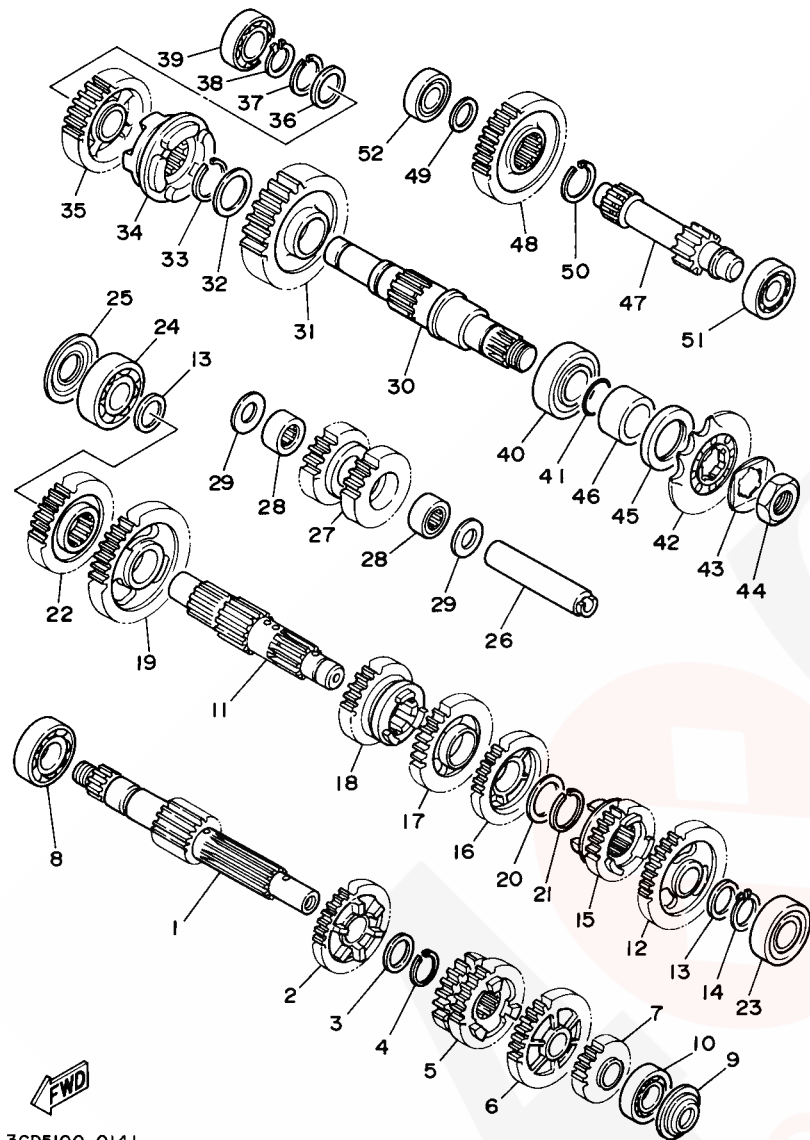


FIG. 14 TRANSMISSION

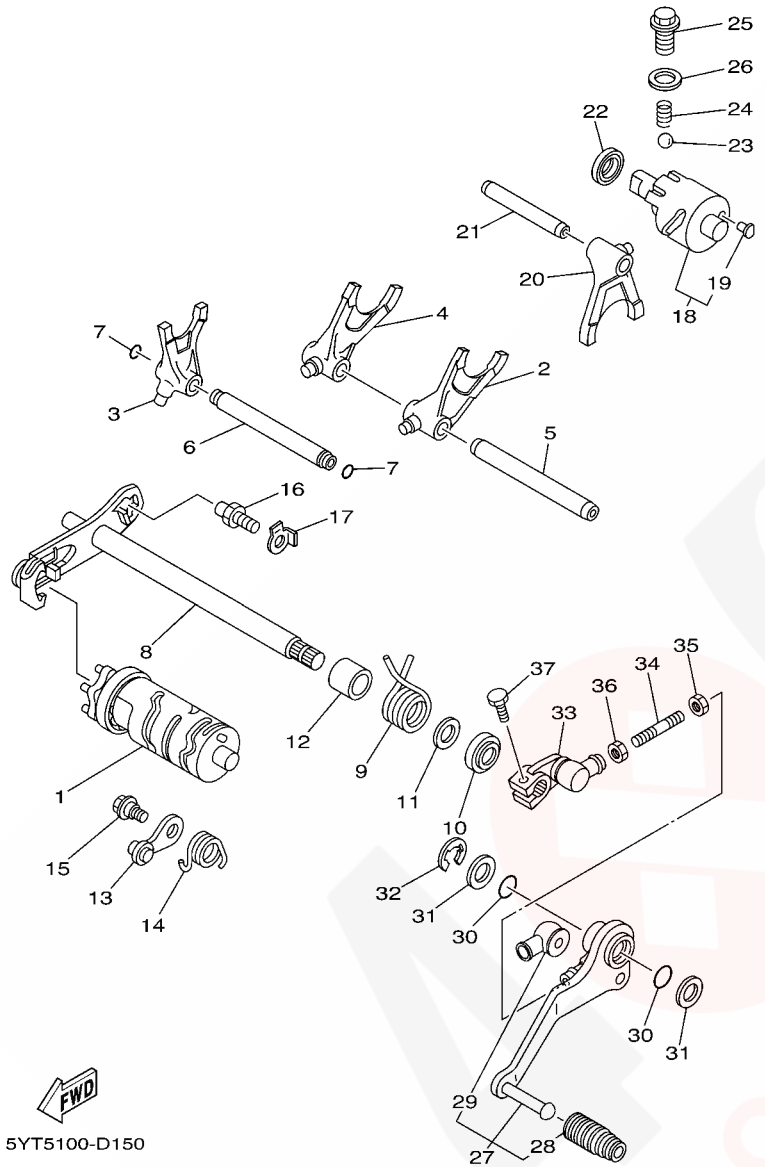
REF. NO.	PART NO.	DESCRIPTION	CAN	EUR	OC	JPN	REMARKS
1	1UY-17401-01	MAIN AXLE ASSY	1	1	1	1	
2	1UY-17151-00	GEAR, 5TH PINION (28T)	1	1	1	1	
3	90209-18208	WASHER	1	1	1	1	
4	93410-22039	CIRCLIP	1	1	1	1	
5	1UY-17131-00	GEAR, 3RD PINION (23T/26T)	1	1	1	1	
6	1UY-17161-01	GEAR, 6TH PINION (29T)	1	1	1	1	
7	1UY-17121-00	GEAR, 2ND PINION (20T)	1	1	1	1	
8	93306-27202	BEARING	1	1	1	1	
9	93104-17094	OIL SEAL	1	1	1	1	
10	93306-20301	BEARING	1	1	1	1	
11	1UY-17421-02	AXLE, DRIVE	1	1	1	1	
12	5YT-17221-00	GEAR, 2ND WHEEL (33T)	1	1	1	1	
13	90201-203E7	WASHER, PLATE	2	2	2	2	
14	93410-20038	CIRCLIP	1	1	1	1	
15	5YT-17261-00	GEAR, 6TH WHEEL (23T)	1	1	1	1	
16	1UY-17241-00	GEAR, 4TH WHEEL (27T)	1	1	1	1	
17	1UY-17231-01	GEAR, 3RD WHEEL (29T)	1	1	1	1	
18	1UY-17251-00	GEAR, 5TH WHEEL (25T)	1	1	1	1	
19	1UY-17211-00	GEAR, 1ST WHEEL (36T)	1	1	1	1	
20	90201-256E6	WASHER, PLATE (T=0.9)	1	1	1	1	
21	93440-25084	CIRCLIP	1	1	1	1	
22	1UY-17123-00	GEAR, HIGH PINION (27T)	1	1	1	1	
23	93306-20401	BEARING	1	1	1	1	
24	93306-30424	BEARING	1	1	1	1	
25	93104-20068	OIL SEAL	1	1	1	1	
26	1UY-17432-01	AXLE, IDLE	1	1	1	1	
27	1UY-17223-02	GEAR, HIGH WHEEL (18T/20T)	1	1	1	1	



3GD5100-0141

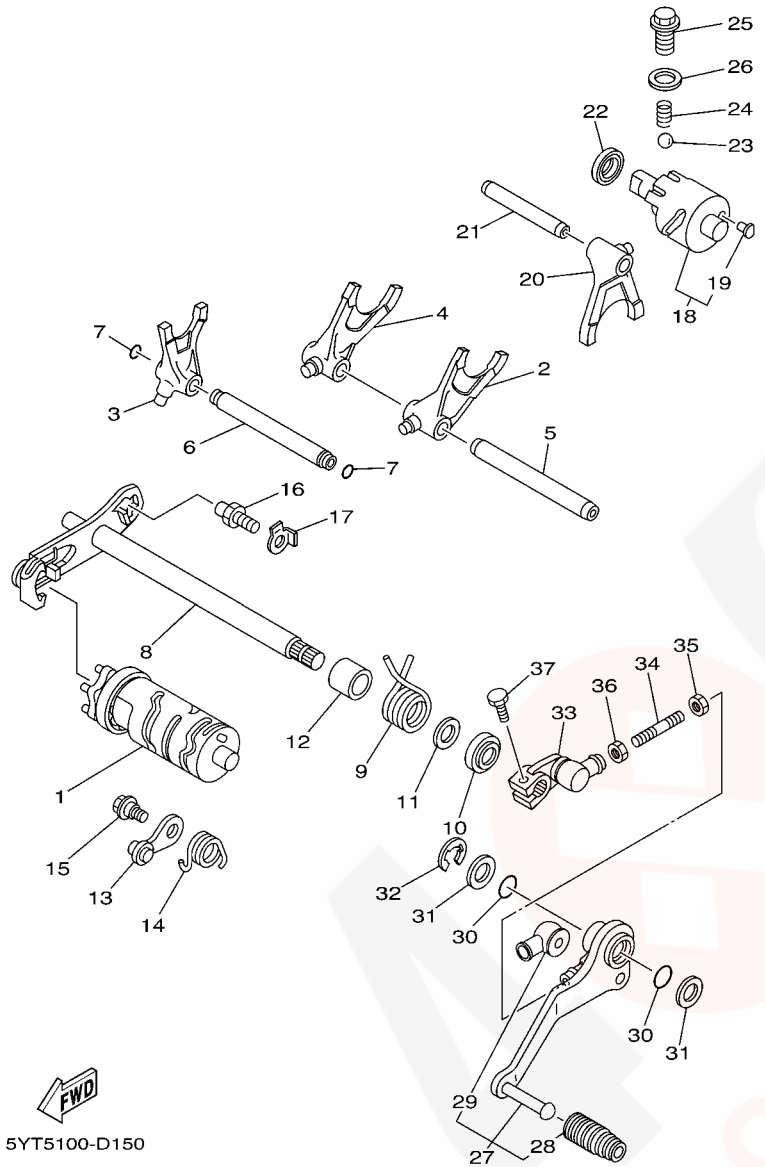
FIG. 14 TRANSMISSION

REF. NO.	PART NO.	DESCRIPTION	CAN	EUR	OCE	JPN	REMARKS
28	93311-41587	BEARING	2	2	2	2	
29	90201-150U6	WASHER, PLATE	2	2	2	2	
30	1UY-17523-00	SHAFT	1	1	1	1	
31	1UY-17253-00	GEAR, REVERSE WHEEL 2 (33T)	1	1	1	1	
32	90201-28665	WASHER, PLATE	1	1	1	1	
33	93440-28062	CIRCLIP	1	1	1	1	
34	1UY-17285-00	CLUTCH, DOG	1	1	1	1	
35	1UY-17582-00	GEAR, MIDDLE DRIVE (29T)	1	1	1	1	
36	90201-22793	WASHER, PLATE	1	1	1	1	
37	93410-22039	CIRCLIP	1	1	1	1	
38	93410-20038	CIRCLIP	1	1	1	1	
39	93306-00431	BEARING	1	1	1	1	
40	93306-20501	BEARING	1	1	1	1	
41	93210-22164	O-RING	1	1	1	1	
42	93834-13030	SPROCKET, DRIVE 13T(23X1746130)	1	1	1	1	
43	90215-21239	WASHER, LOCK	1	1	1	1	
44	90179-20255	NUT	1	1	1	1	
45	93102-35393	OIL SEAL	1	1	1	1	
46	90387-257N4	COLLAR	1	1	1	1	
47	1UY-17431-00	AXLE, COUNTER	1	1	1	1	
48	1UY-17243-00	GEAR, REVERSE WHEEL 1 (33T)	1	1	1	1	
49	90201-17255	WASHER, PLATE	1	1	1	1	
50	93440-25084	CIRCLIP	1	1	1	1	
51	93306-20301	BEARING	1	1	1	1	
52	93306-00308	BEARING	1	1	1	1	



**FIG. 15 SHIFT CAM & FORK**

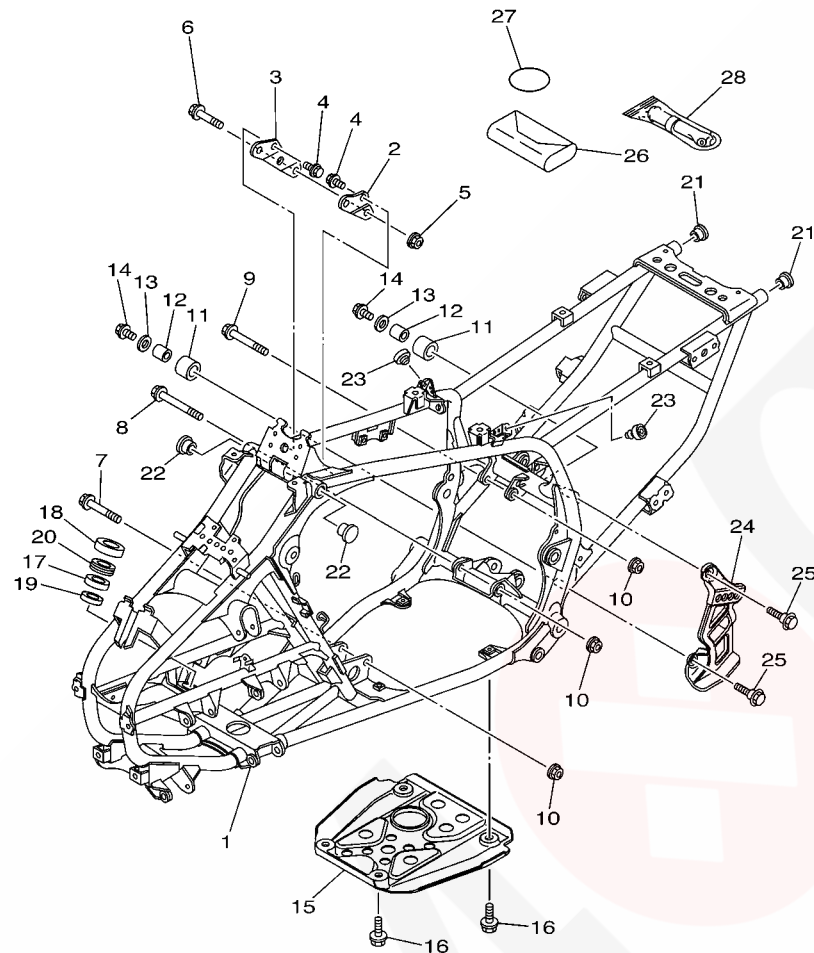
REF. NO.	PART NO.	DESCRIPTION	CAN	EUR	OC	JPN	REMARKS
1	5YT-18540-00	SHIFT CAM ASSY	1	1	1	1	
2	1YW-18511-00	FORK, SHIFT 1	1	1	1	1	
3	4GB-18512-00	FORK, SHIFT 2	1	1	1	1	
4	1UY-18513-00	FORK, SHIFT 3	1	1	1	1	
5	22U-18535-00	BAR, SHIFT FORK GUIDE 2	1	1	1	1	
6	4GB-18531-00	BAR, SHIFT FORK GUIDE 1	1	1	1	1	
7	93210-07590	O-RING	2	2	2	2	
8	1UY-18101-01	SHIFT SHAFT ASSY	1	1	1	1	
9	90508-32711	SPRING, TORSION	1	1	1	1	
10	93102-14209	OIL SEAL	1	1	1	1	
11	90201-14691	WASHER, PLATE	1	1	1	1	
12	90560-14284	SPACER	1	1	1	1	
13	1UY-18140-00	STOPPER LEVER ASSY	1	1	1	1	
14	90508-25712	SPRING, TORSION	1	1	1	1	
15	90109-06189	BOLT	1	1	1	1	
16	4G0-18127-00	STOPPER, SCREW	1	1	1	1	
17	90215-08260	WASHER, LOCK	1	1	1	1	
18	3GD-18420-00	SHIFTER ASSY	1	1	1	1	
19	3GH-18542-00	.POINT, NEUTRAL	1	1	1	1	
20	1UY-18311-00	FORK, SHIFT 1	1	1	1	1	
21	2A6-18531-00	BAR, SHIFT FORK GUIDE 1	1	1	1	1	
22	93102-15212	OIL SEAL	1	1	1	1	
23	93503-08007	BALL	1	1	1	1	
24	90501-10353	SPRING, COMPRESSION	1	1	1	1	
25	90105-14003	BOLT, FLANGE	1	1	1	1	
26	90430-14194	GASKET	1	1	1	1	
27	5YT-18110-10	SHIFT PEDAL ASSY	1	1	1	1	



5YT5100-D150

FIG. 15 SHIFT CAM & FORK

REF. NO.	PART NO.	DESCRIPTION	CAN	EUR	OCE	JPN	REMARKS
28	5YT-18113-00	.COVER, SHIFT PEDAL	1	1	1	1	
29	2H9-18154-00	.COVER, DUST	1	1	1	1	
30	93210-15414	O-RING	2	2	2	2	
31	90201-15018	WASHER, PLATE	2	2	2	2	
32	93430-12008	CIRCLIP	1	1	1	1	
33	1UY-18112-10	ARM, SHIFT	1	1	1	1	
34	1JN-18115-00	ROD, SHIFT	1	1	1	1	
35	90170-06228	NUT(COUNTER CLOCKWISE)	1	1	1	1	
36	95302-06700	NUT	1	1	1	1	
37	97012-06020	BOLT	1	1	1	1	

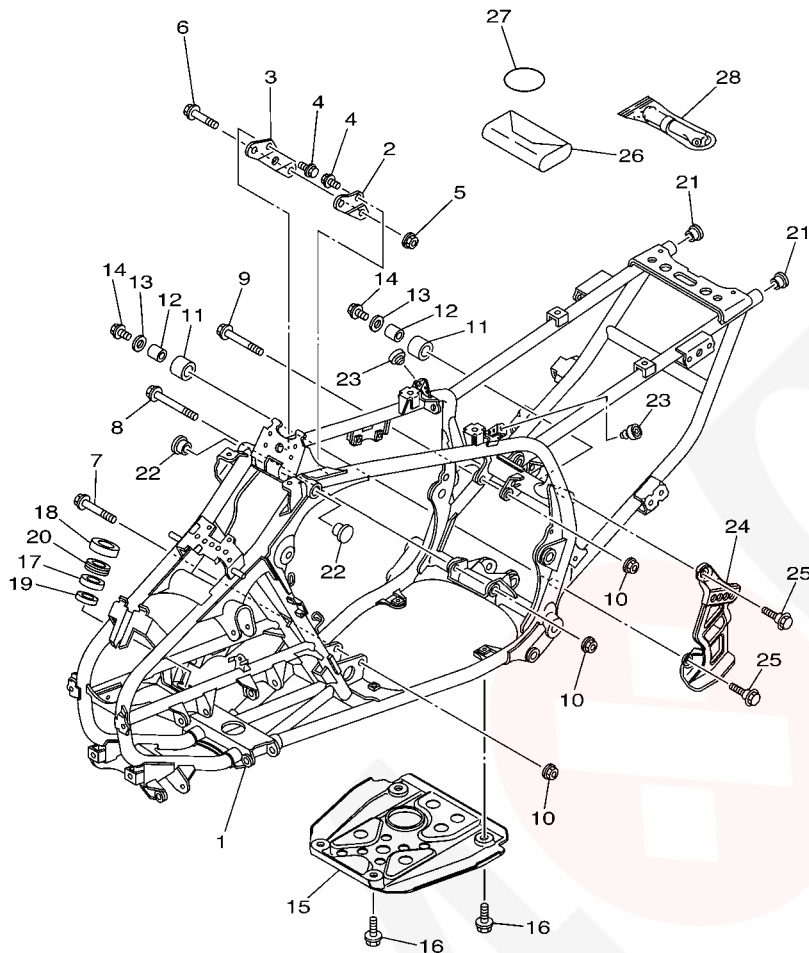


FWD  
5YT1100-C160

FIG. 16 FRAME

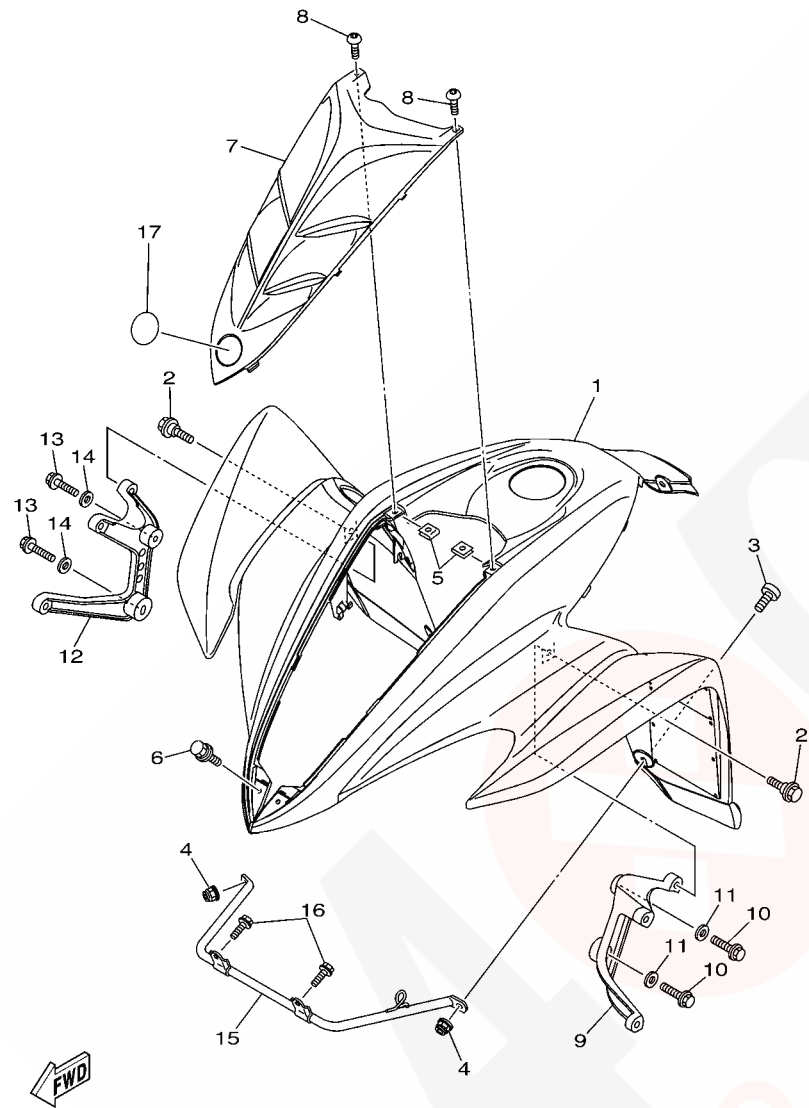
REF. NO.	PART NO.	DESCRIPTION	CAN	EUR	OC	JPN	REMARKS
1	5YT-21110-00	FRAME COMP.	1	1	1	1	UR FOR DPBSE
	5YT-21110-10	FRAME COMP.	1	1	1		UR FOR BWS1
2	1UY-21315-20	STAY, ENGINE 2	1	1	1	1	
3	1UY-21316-20	STAY, ENGINE 3	1	1	1	1	
4	95812-08012	BOLT, FLANGE	4	4	4	4	
5	90185-08017	NUT, SELF-LOCKING	1	1	1	1	
6	95812-08055	BOLT, FLANGE	1	1	1	1	
7	90105-10211	BOLT, FLANGE	1	1	1	1	
8	90105-10277	BOLT, FLANGE	1	1	1	1	
9	90105-10185	BOLT, FLANGE	1	1	1	1	
10	90185-10011	NUT, SELF-LOCKING	3	3	3	3	
11	3TB-22178-00	TENSIONER	2	2	2	2	
12	4V4-22184-00	BUSH	2	2	2	2	
13	90201-08054	WASHER, PLATE	2	2	2	2	
14	95822-08012	BOLT, FLANGE	2	2	2	2	
15	5YT-21471-00	PROTECTOR, ENGINE	1	1	1	1	
16	90109-08100	BOLT	4	4	4	4	
17	93306-20331	BEARING	1	1	1	1	
18	93102-25081	OIL SEAL	1	1	1	1	
19	93102-25099	OIL SEAL	1	1	1	1	
20	2GU-23872-00	HOLDER, BEARING	1	1	1	1	
21	90338-18122	PLUG	2	2	2	2	
22	90338-23172	PLUG	2	2	2	2	
23	22W-24741-00	PAD, SEAT	2	2	2	2	
24	5YT-2117G-00	PROTECTOR	1	1	1	1	
25	90109-08100	BOLT	2	2	2	2	
26	2XK-28100-00	TOOL KIT	1	1	1	1	

FIG. 16 FRAME



**FWD**  
5YT1100-C160

REF. NO.	PART NO.	DESCRIPTION	CAN	EUR	OCE	JPN	REMARKS
27	3TJ-82131-00	BAND, BATTERY	1	1	1	1	
28	1NV-2811A-01	GAUGE, AIR	1	1	1	1	



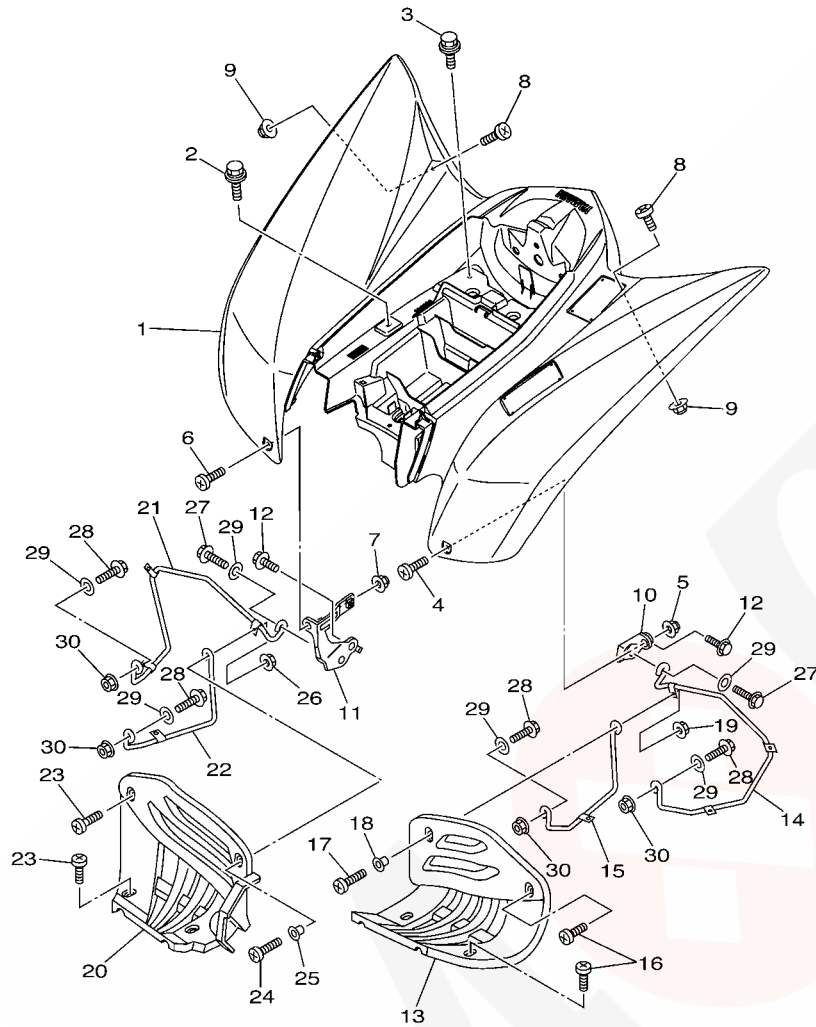
5YT1100-C170

FIG. 17 FRONT FENDER

REF. NO.	PART NO.	DESCRIPTION	CAN	EUR	OCE	JPN	REMARKS
1	5YT-W215C-02	FRONT FENDER COMP.2	1				UR FOR DPBSE
	5YT-W215C-12	FRONT FENDER COMP.2	1				UR FOR BWS1
	5YT-W215B-00	FRONT FENDER COMP. 2		1			UR FOR DPBSE
	5YT-W215B-10	FRONT FENDER COMP. 2		1			UR FOR BWS1
	5YT-W215E-01	FRONT FENDER COMP.			1	1	UR FOR DPBSE
	5YT-W215E-11	FRONT FENDER COMP.			1		UR FOR BWS1
2	90109-06172	BOLT	2	2	2	2	
3	90149-06306	SCREW	2	2	2	2	
4	95602-06200	NUT, SELF-LOCKING	2	2	2	2	
5	90183-05008	NUT, SPRING	2	2	2	2	
6	90119-06152	BOLT, WITH WASHER	2	2	2	2	
7	5YT-23391-40	PANEL, FRONT	1	1	1	1	
8	90110-05201	BOLT, HEXAGON SOCKET HEAD	2	2	2	2	
9	5YT-21513-00	STAY, FENDER 1	1	1	1	1	
10	95812-06014	BOLT, FLANGE	2	2	2	2	
11	90201-06089	WASHER, PLATE	2	2	2	2	
12	5YT-21514-00	STAY, FENDER 2	1	1	1	1	
13	95812-06014	BOLT, FLANGE	2	2	2	2	
14	90201-06089	WASHER, PLATE	2	2	2	2	
15	5YT-21562-00	STAY, FENDER 3	1	1	1	1	
16	95822-06010	BOLT, FLANGE	2	2	2	2	
17	8AC-2414B-01	EMBLEM	1	1	1	1	



FIG. 18 REAR FENDER



5YT1100-C180

REF. NO.	PART NO.	DESCRIPTION	CAN	EUR	OCÉ	JPN	REMARKS
1	5YT-W216C-01	REAR FENDER COMP.2	1				UR FOR DPBSE
	5YT-W216C-11	REAR FENDER COMP.2	1				UR FOR BWS1
	5YT-W216B-00	REAR FENDER COMP.2		1			UR FOR DPBSE
	5YT-W216B-10	REAR FENDER COMP.2		1			UR FOR BWS1
	5YT-W216E-00	REAR FENDER COMP.			1	1	UR FOR DPBSE
	5YT-W216E-10	REAR FENDER COMP.			1		UR FOR BWS1
2	90119-06152	BOLT, WITH WASHER	2	2	2	2	
3	90119-06152	BOLT, WITH WASHER	2	2	2	2	
4	90149-06306	SCREW	1	1	1	1	
5	95602-06200	NUT, SELF-LOCKING	1	1	1	1	
6	90149-06306	SCREW	1	1	1	1	
7	95602-06200	NUT, SELF-LOCKING	1	1	1	1	
8	90149-06306	SCREW	2	2	2	2	
9	95602-06200	NUT, SELF-LOCKING	2	2	2	2	
10	5YT-21613-10	STAY, FENDER 1	1	1	1	1	
11	5YT-21614-10	STAY, FENDER 2	1	1	1	1	
12	95822-08012	BOLT, FLANGE	2	2	2	2	
13	5LP-21621-00	FLAP	1	1	1	1	
14	5YT-2164F-10	STAY 1	1	1	1	1	
15	5YT-2164H-10	STAY 3	1	1	1	1	
16	90154-05013	SCREW, BINDING	3	3	3	3	
17	90154-06061	SCREW, BINDING	1	1	1	1	
18	90387-062E0	COLLAR	1	1	1	1	
19	95602-06200	NUT, SELF-LOCKING	1	1	1	1	
20	5LP-21691-00	FLAP	1	1	1	1	
21	5YT-2164G-10	STAY 2	1	1	1	1	
22	5YT-2164J-10	STAY 4	1	1	1	1	







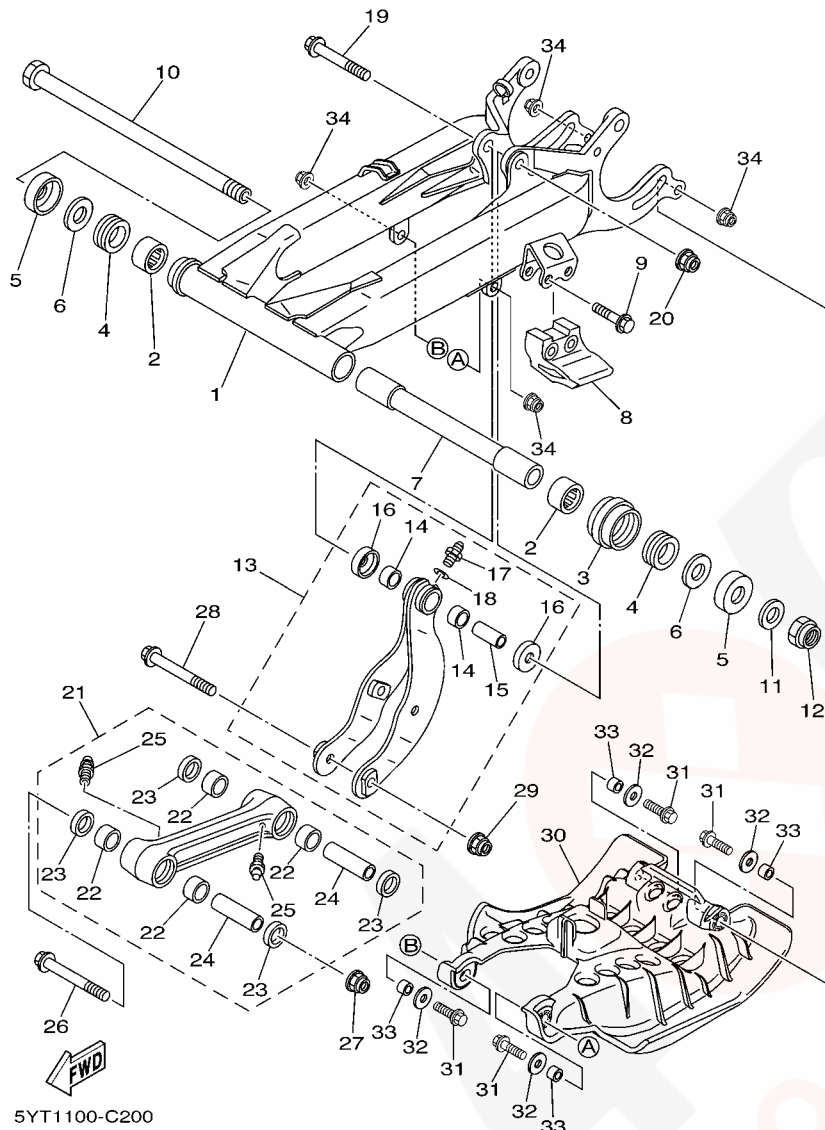
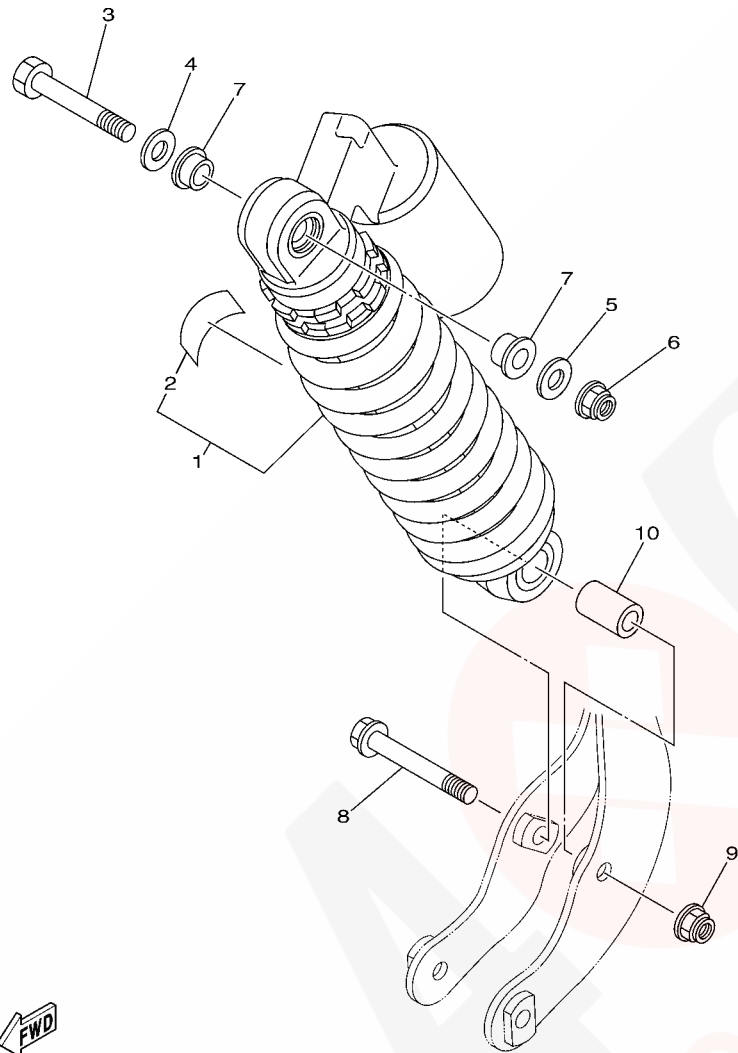


FIG. 20 REAR ARM

REF. NO.	PART NO.	DESCRIPTION	CAN	EUR	OC	JPN	REMARKS
1	3GD-22110-30	REAR ARM COMP.	1	1	1	1	
2	93317-22237	BEARING	2	2	2	2	
3	2GU-22151-00	SEAL, GUARD	1	1	1	1	
4	93108-35004	OIL SEAL (35-41-8)	2	2	2	2	
5	2K6-22128-01	COVER, THRUST 1	2	2	2	2	
6	90201-244A9	WASHER, PLATE (2.05T)	2	2	2	2	
7	3GD-22184-00	BUSH	1	1	1	1	
8	38W-22199-00	SUPPORT, CHAIN	1	1	1	1	
9	95802-08040	BOLT, FLANGE	2	2	2	2	
10	1UY-22141-10	SHAFT, PIVOT	1	1	1	1	
11	90201-16018	WASHER, PLATE	1	1	1	1	
12	90185-16002	NUT, SELF-LOCKING	1	1	1	1	
13	5YT-2210J-00	RELAY ARM SUB ASSY	1	1	1	1	
14	90383-20032	.BUSH, FORMED	2	2	2	2	
15	90387-125N8	.COLLAR	1	1	1	1	
16	5YT-22129-00	.COVER, THRUST 2	2	2	2	2	
17	93700-06004	.NIPPLE, GREASE	1	1	1	1	
18	90201-063F3	.WASHER, PLATE	1	1	1	1	
19	90105-12050	BOLT, FLANGE	1	1	1	1	
20	95602-12200	NUT, SELF-LOCKING	1	1	1	1	
21	5YT-2210K-00	CONNECTING ROD SUB ASSY	1	1	1	1	
22	90383-20032	.BUSH, FORMED	4	4	4	4	
23	93109-20076	.OIL SEAL	4	4	4	4	
24	90387-12021	.COLLAR	2	2	2	2	
25	93700-06004	.NIPPLE, GREASE	2	2	2	2	
26	90105-12061	BOLT, FLANGE	1	1	1	1	
27	95602-12200	NUT, SELF-LOCKING	1	1	1	1	

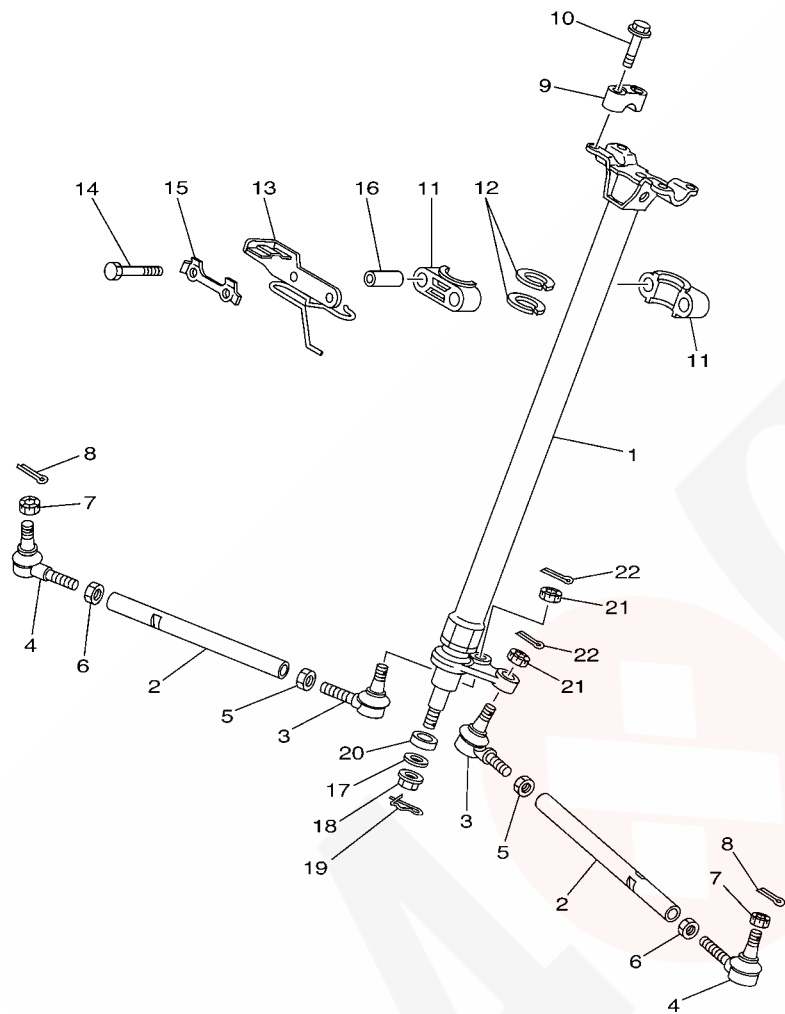




  
 5YT1100-C211

**FIG. 21 REAR SUSPENSION**

REF. NO.	PART NO.	DESCRIPTION	CAN	EUR	OCE	JPN	REMARKS
1	5YT-22210-A0	SHOCK ABSORBER ASSY, REAR	1				
	5YT-22210-B0	SHOCK ABSORBER ASSY, REAR		1	1		
	5YT-22210-C0	SHOCK ABSORBER ASSY, REAR				1	
2	4AA-22259-70	.LABEL, WARNING	1				
	4AA-22259-40	.LABEL, WARNING		1	1		
	4AA-22259-50	.LABEL, WARNING				1	
3	90101-12012	BOLT	1	1	1	1	
4	90201-12033	WASHER, PLATE	1	1	1	1	
5	90201-12032	WASHER, PLATE	1	1	1	1	
6	90185-12007	NUT, SELF-LOCKING	1	1	1	1	
7	90387-127G8	COLLAR	2	2	2	2	
8	90105-12050	BOLT, FLANGE	1	1	1	1	
9	95602-12200	NUT, SELF-LOCKING	1	1	1	1	
10	90387-12020	COLLAR	1	1	1	1	

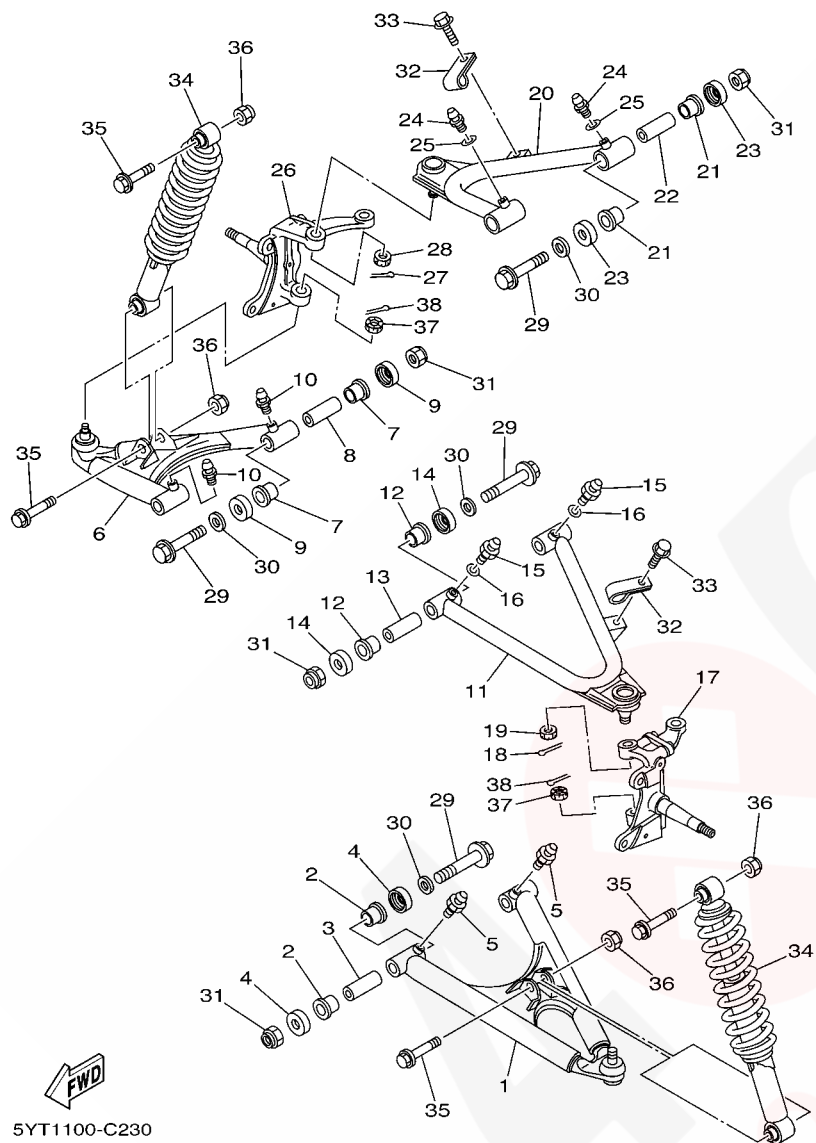


5YT1100-C220

FIG. 22 STEERING

REF. NO.	PART NO.	DESCRIPTION	CAN	EUR	OCE	JPN	REMARKS
1	5YT-23813-20	COLUMN, STEERING 2	1	1	1	1	
2	3GD-23831-00	ROD, TIE	2	2	2	2	
3	1UY-23841-01	JOINT, UNIVERSAL 1	2	2	2	2	
4	1UY-23845-01	JOINT, UNIVERSAL 2	2	2	2	2	
5	95302-10700	NUT	2	2	2	2	
6	90170-10010	NUT	2	2	2	2	(L.H. THREAD)
7	90171-10001	NUT, CASTLE	2	2	2	2	
8	91401-20020	PIN, COTTER	2	2	2	2	
9	8K1-23814-00	HOLDER, HANDLE	2	2	2	2	
10	95822-08030	BOLT, FLANGE	4	4	4	4	
11	1UY-23812-00	PLANE BEARING, STEERING	2	2	2	2	
12	93112-31011	OIL SEAL	2	2	2	2	
13	5YT-23868-00	BRACKET, STEERING LOWER	1	1	1	1	
14	97022-08060	BOLT	2	2	2	2	
15	1UY-23894-01	WASHER, LOCK 1	1	1	1	1	
16	90387-090R0	COLLAR	2	2	2	2	
17	90201-10036	WASHER, PLATE	1	1	1	1	
18	90185-10019	NUT, SELF-LOCKING	1	1	1	1	
19	91401-20020	PIN, COTTER	1	1	1	1	
20	90387-176R6	COLLAR	1	1	1	1	
21	90171-10001	NUT, CASTLE	2	2	2	2	
22	91401-20020	PIN, COTTER	2	2	2	2	

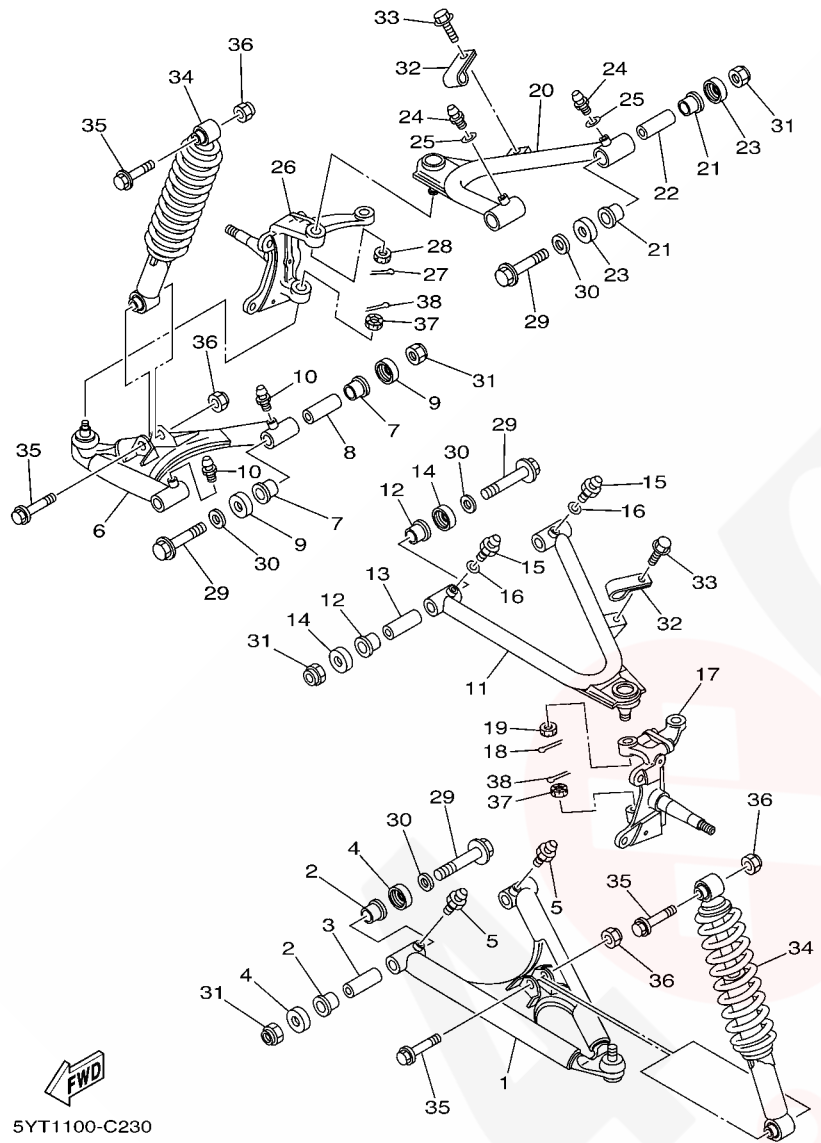
**FIG. 23 FRONT SUSPENSION & WHEEL**



5YT1100-C230

REF. NO.	PART NO.	DESCRIPTION	CAN	EUR	OC	JPN	REMARKS
1	3GD-23570-10	FRONT LOWER ARM COMP. (LEFT)	1	1	1	1	
2	90381-15088	BUSH, SOLID	4	4	4	4	
3	90387-101R3	COLLAR	2	2	2	2	
4	5YT-23517-00	COVER, THRUST 1	4	4	4	4	
5	93700-06004	NIPPLE, GREASE	2	2	2	2	
6	3GD-23580-10	FRONT LOWER ARM COMP. (RIGHT)	1	1	1	1	
7	90381-15088	BUSH, SOLID	4	4	4	4	
8	90387-101R3	COLLAR	2	2	2	2	
9	5YT-23517-00	COVER, THRUST 1	4	4	4	4	
10	93700-06004	NIPPLE, GREASE	2	2	2	2	
11	3GD-23540-10	FRONT UPPER ARM COMP. (LEFT)	1	1	1	1	
12	90381-15088	BUSH, SOLID	4	4	4	4	
13	90387-101R3	COLLAR	2	2	2	2	
14	5YT-23517-00	COVER, THRUST 1	4	4	4	4	
15	93700-06004	NIPPLE, GREASE	2	2	2	2	
16	90201-063F3	WASHER, PLATE	2	2	2	2	
17	3GD-23501-10	STEERING KNUCKLE ASSY (LEFT)	1	1	1	1	
18	91401-20020	PIN, COTTER	1	1	1	1	
19	90171-10001	NUT, CASTLE	1	1	1	1	
20	3GD-23550-10	FRONT UPPER ARM COMP. (RIGHT)	1	1	1	1	
21	90381-15088	BUSH, SOLID	4	4	4	4	
22	90387-101R3	COLLAR	2	2	2	2	
23	5YT-23517-00	COVER, THRUST 1	4	4	4	4	
24	93700-06004	NIPPLE, GREASE	2	2	2	2	
25	90201-063F3	WASHER, PLATE	2	2	2	2	
26	3GD-23502-10	STEERING KNUCKLE ASSY (RIGHT)	1	1	1	1	
27	91401-20020	PIN, COTTER	1	1	1	1	

**FIG. 23 FRONT SUSPENSION & WHEEL**



5YT1100-C230

REF. NO.	PART NO.	DESCRIPTION	CAN	EUR	OC	JPN	REMARKS
28	90171-10001	NUT, CASTLE	1	1	1	1	
29	90105-10135	BOLT, FLANGE	8	8	8	8	
30	90201-10037	WASHER, PLATE	8	8	8	8	
31	90185-10012	NUT, SELF-LOCKING	8	8	8	8	
32	5VM-25886-10	HOLDER, BRAKE HOSE	2	2	2	2	
33	95822-06016	BOLT, FLANGE	2	2	2	2	
34	5YT-23350-30	SHOCK ABSORBER ASSY	2	2	2	2	
35	90105-10131	BOLT, FLANGE	4	4	4	4	
36	90185-10012	NUT, SELF-LOCKING	4	4	4	4	
37	90171-10001	NUT, CASTLE	2	2	2	2	
38	91401-20020	PIN, COTTER	2	2	2	2	



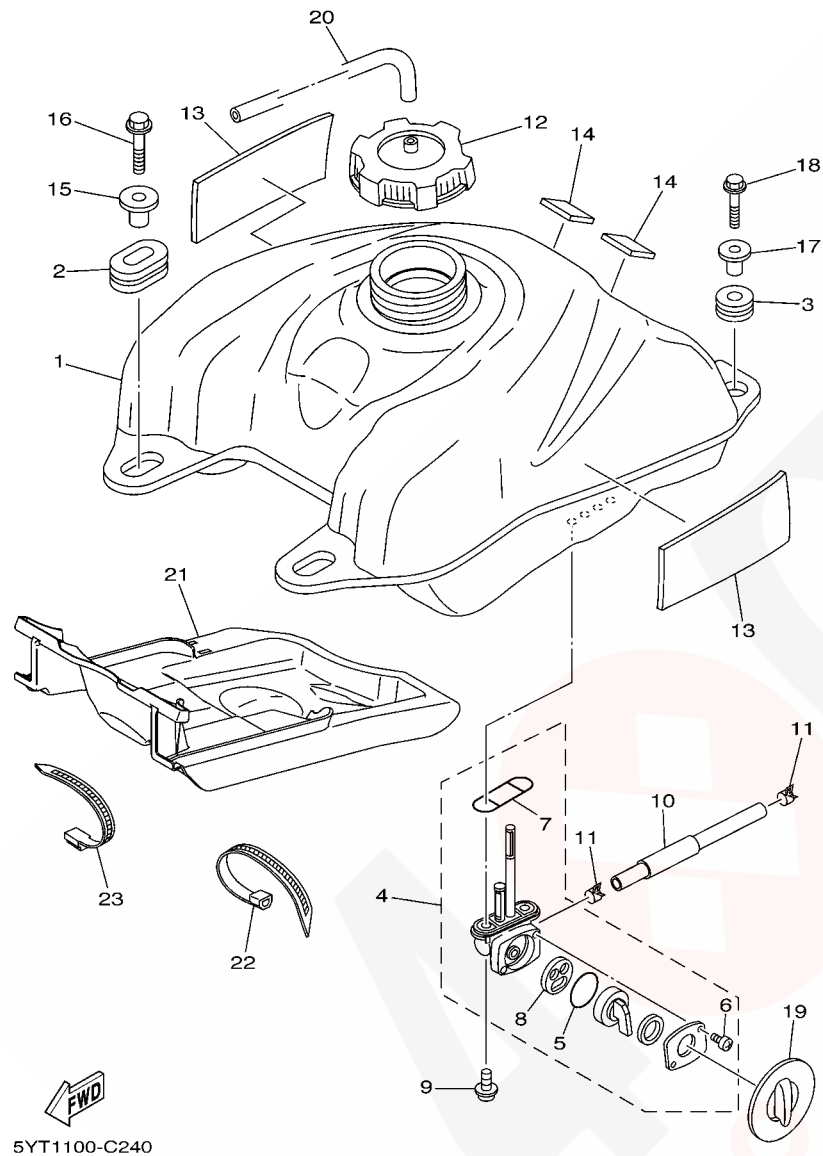
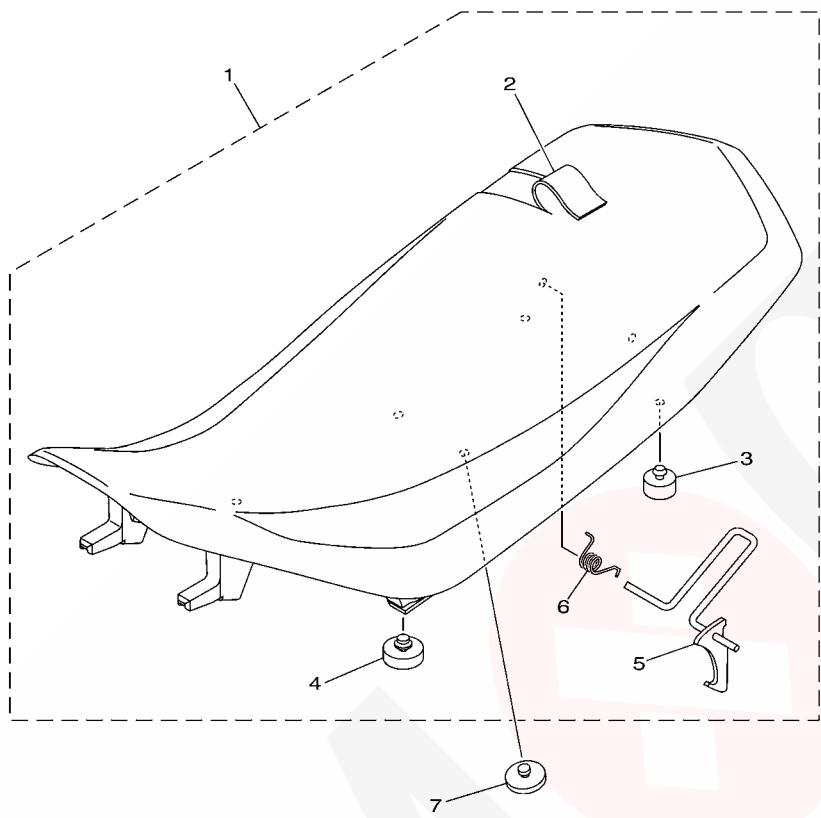


FIG. 24 FUEL TANK

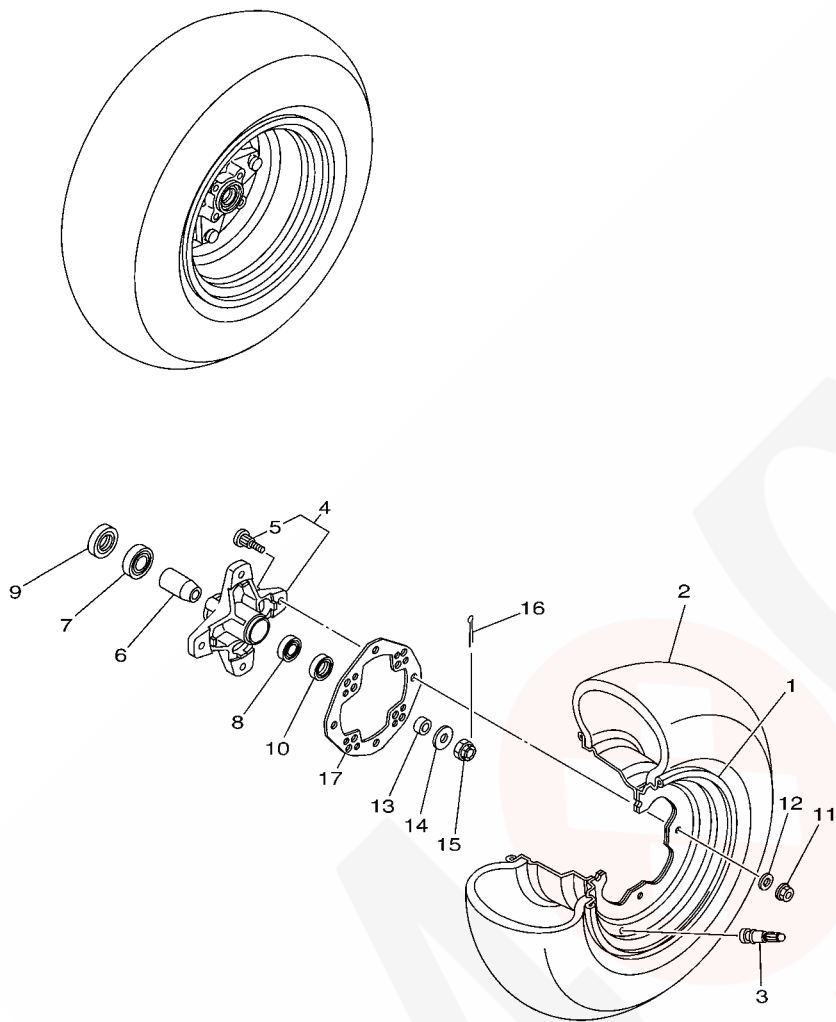
REF. NO.	PART NO.	DESCRIPTION	CAN	EUR	OC	JPN	REMARKS
1	5YT-24110-10	FUEL TANK COMP.	1				
	5YT-24110-00	FUEL TANK COMP.		1	1	1	
2	90480-01400	GROMMET	2	2	2	2	
3	90480-18290	GROMMET	2	2	2	2	
4	21V-24500-11	FUEL COCK ASSY 1	1	1	1	1	
5	3AJ-24534-01	.SEAL, COCK	1	1	1	1	
6	98507-03008	.SCREW, PAN HEAD	2	2	2	2	
7	4X8-24512-00	.O-RING	1	1	1	1	
8	3AC-24523-00	.VALVE PACKING	1	1	1	1	
9	90149-06108	SCREW	2	2	2	2	
10	5YT-24311-10	PIPE, FUEL 1	1				
	5YT-24311-00	PIPE, FUEL 1		1	1	1	
11	90467-10038	CLIP	2	2	2	2	
12	5KM-24610-00	CAP ASSY	1	1	1	1	
13	5TG-21541-00	DAMPER 1	2	2	2	2	
14	5YT-24665-00	DAMPER	2	2	2	2	
15	90387-07021	COLLAR	2	2	2	2	
16	95802-06030	BOLT, FLANGE	2	2	2	2	
17	90387-066J1	COLLAR	2	2	2	2	
18	95802-06030	BOLT, FLANGE	2	2	2	2	
19	5YT-24524-00	LEVER, COCK	1	1	1	1	
20	90445-084J1	HOSE (L420)	1	1	1	1	
21	5YT-2414H-00	DAMPER, PLATE 1	1	1	1	1	
22	90464-15195	CLAMP	1	1	1	1	
23	90464-13073	CLAMP	1	1	1	1	

FIG. 25 SEAT



REF. NO.	PART NO.	DESCRIPTION	CAN	EUR	OCE	JPN	REMARKS
1	5YT-24710-01	SINGLE SEAT ASSY	1	1	1	1	
2	5YT-24731-00	.COVER, SEAT	1	1	1	1	
3	371-27114-00	.STOPPER, MAIN STAND	2	2	2	2	
4	509-24724-00	.DAMPER, SEAT	2	2	2	2	
5	5YT-24776-10	.LEVER, SEAT	1	1	1	1	
6	90508-23567	.SPRING, TORSION	1	1	1	1	
7	214-24724-00	DAMPER, SEAT	2	2	2	2	

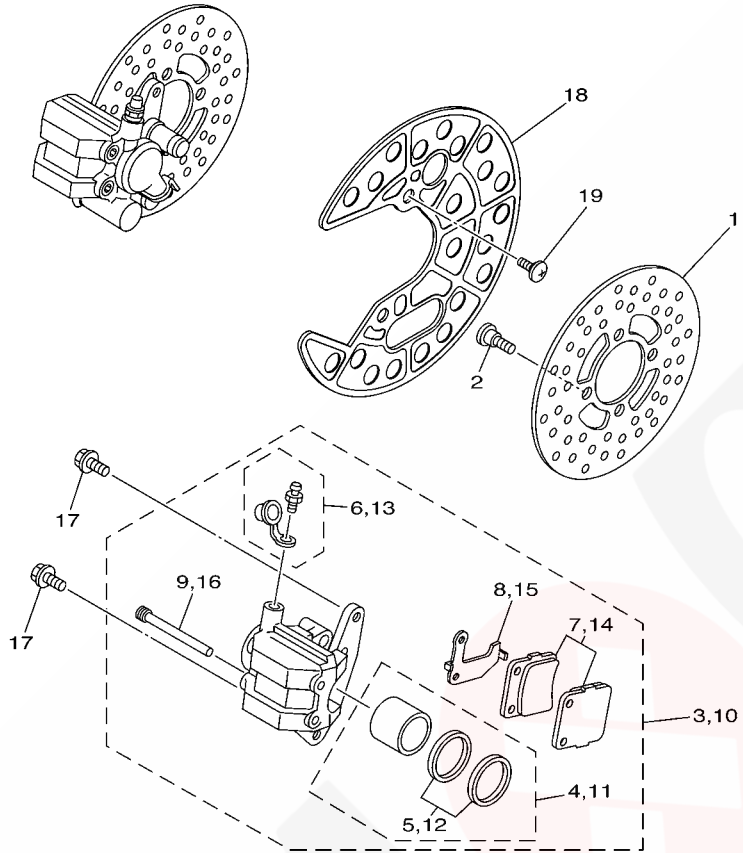
  
5YT1100-C250



5YT1100-C260

FIG. 26 FRONT WHEEL

REF. NO.	PART NO.	DESCRIPTION	CAN	EUR	OC	JPN	REMARKS
1	5LP-25180-20	WHEEL COMP.	2	2	2	2	
2	94107-10020	TIRE (AT21X7-10 KT851B T/L)	2	2	2	2	DUNLOP
3	93900-00022	VALVE, RIM (TR413)	2	2	2	2	TAIHEIYO
4	3GD-25111-20	HUB, FRONT	2	2	2	2	
5	90114-10006	BOLT, SERRATION	4	4	4	4	
6	1UY-25117-00	SPACER, BEARING	2	2	2	2	
7	93306-00446	BEARING	2	2	2	2	
8	93306-20231	BEARING	2	2	2	2	
9	93105-26026	OIL SEAL	2	2	2	2	
10	93102-22216	OIL SEAL	2	2	2	2	
11	95702-10500	NUT, WITH WASHER	8	8	8	8	
12	92902-10200	WASHER	8	8	8	8	
13	90387-150R1	COLLAR	2	2	2	2	
14	90201-14586	WASHER, PLATE	2	2	2	2	
15	90171-14002	NUT, CASTLE	2	2	2	2	
16	91401-30025	PIN, COTTER	2	2	2	2	
17	1S3-25127-00	COVER, PLATE	2	2	2	2	



5YT1100-C270

FIG. 27 FRONT BRAKE CALIPER

REF. NO.	PART NO.	DESCRIPTION	CAN	EUR	OCE	JPN	REMARKS
1	3GD-2582T-10	DISC, BRAKE (LEFT)	2	2	2	2	
2	90109-08082	BOLT	8	8	8	8	
3	5LP-2580T-00	CALIPER ASSY (LEFT)	1	1	1	1	
4	3GD-W0057-00	.PISTON ASSY, CALIPER	1	1	1	1	
5	3GD-W0047-00	..CALIPER SEAL KIT	1	1	1	1	
6	1UY-W0048-50	..BLEED SCREW KIT	1	1	1	1	
7	5LP-W0045-00	.BRAKE PAD KIT	1	1	1	1	
8	3GD-25827-00	.SHIM, CALIPER	1	1	1	1	
9	3GD-25933-00	.PIN, PAD	2	2	2	2	
10	5LP-2580U-00	CALIPER ASSY (RIGHT)	1	1	1	1	
11	3GD-W0057-00	.PISTON ASSY, CALIPER	1	1	1	1	
12	3GD-W0047-00	..CALIPER SEAL KIT	1	1	1	1	
13	1UY-W0048-50	.BLEED SCREW KIT	1	1	1	1	
14	5LP-W0045-00	.BRAKE PAD KIT	1	1	1	1	
15	3GD-25828-00	.SHIM, CALIPER	1	1	1	1	
16	3GD-25933-00	.PIN, PAD	2	2	2	2	
17	90105-08161	BOLT, FLANGE	4	4	4	4	
18	5YT-2514A-00	RING, WHEEL 1	2	2	2	2	
19	90154-06014	SCREW, BINDING	4	4	4	4	

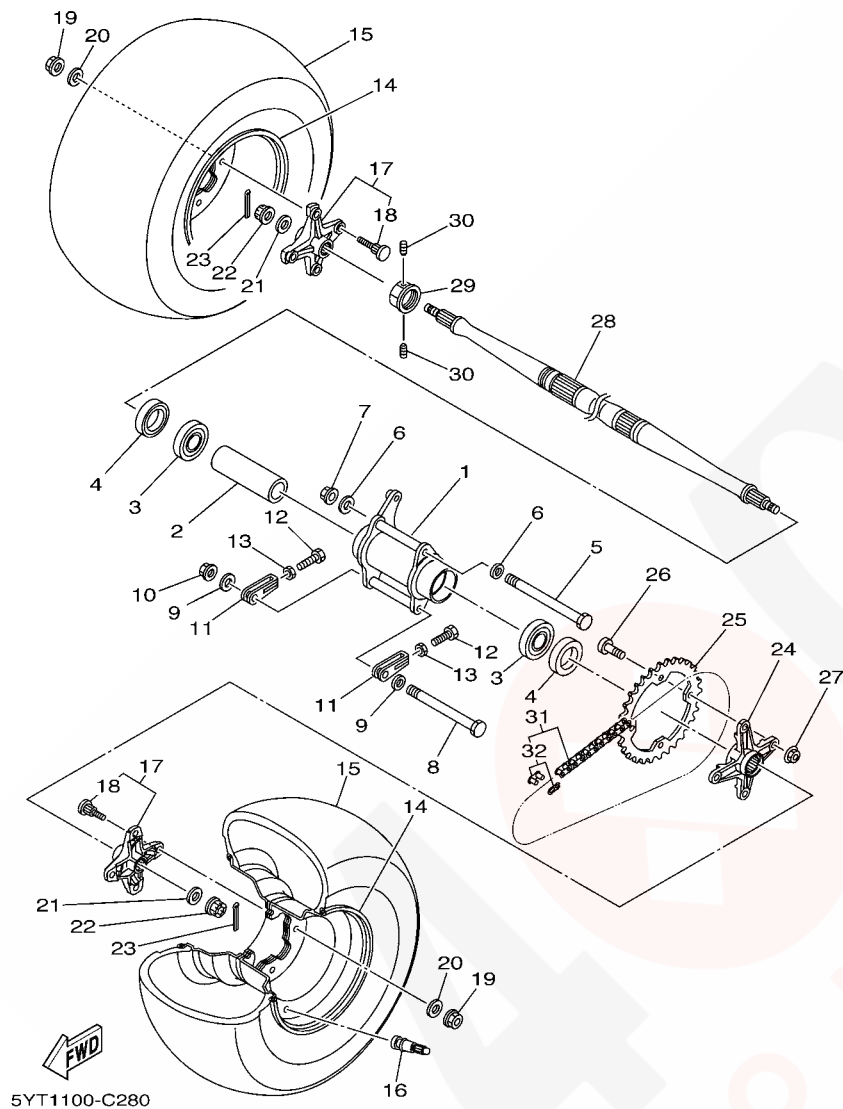
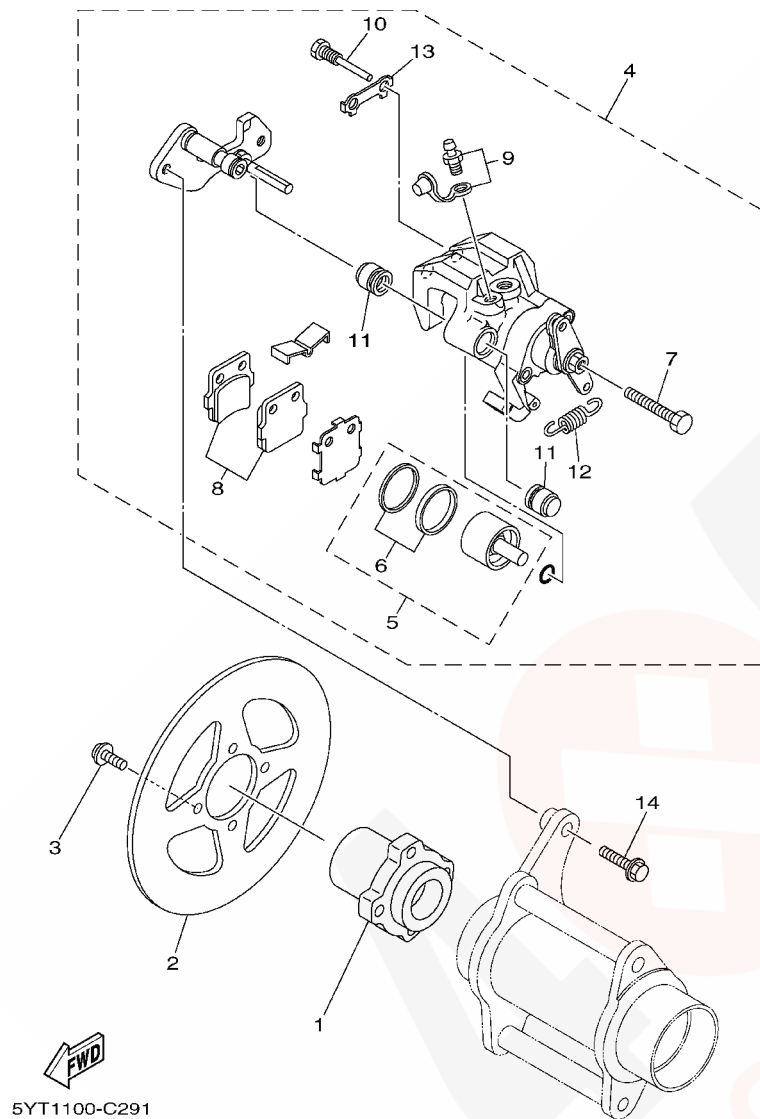


FIG. 28 REAR WHEEL

REF. NO.	PART NO.	DESCRIPTION	CAN	EUR	OCÉ	JPN	REMARKS
1	5YT-25311-00	HUB, REAR	1	1	1	1	
2	5YT-25317-00	SPACER, BEARING	1	1	1	1	
3	93306-00710	BEARING	2	2	2	2	
4	93106-46001	OIL SEAL	2	2	2	2	
5	90101-12032	BOLT	1	1	1	1	
6	90201-12045	WASHER, PLATE	2	2	2	2	
7	90179-12009	NUT	1	1	1	1	
8	90101-10029	BOLT	1	1	1	1	
9	90201-10052	WASHER, PLATE	2	2	2	2	
10	90179-10024	NUT	1	1	1	1	
11	3GD-25388-00	PULLER, CHAIN 1	2	2	2	2	
12	90101-08006	BOLT	2	2	2	2	
13	95302-08600	NUT	2	2	2	2	
14	5LP-25390-20	REAR WHEEL COMP.	2	2	2	2	
15	94110-09020	TIRE (AT20X10-9 KT877 T/L)	2	2	2	2	DUNLOP
16	93900-00022	VALVE, RIM (TR413)	2	2	2	2	TAIHEIYO
17	1S3-25383-20	COLLAR, WHEEL	2	2	2	2	
18	90114-10013	.BOLT, SERRATION	4	4	4	4	
19	95702-10500	NUT, WITH WASHER	8	8	8	8	
20	92902-10200	WASHER	8	8	8	8	
21	90201-14021	WASHER, PLATE	2	2	2	2	
22	90171-14004	NUT, CASTLE	2	2	2	2	
23	91401-30030	PIN, COTTER	2	2	2	2	
24	5YT-25386-00	COLLAR, SPROCKET AXLE	1	1	1	1	
25	5TG-25438-10	SPROCKET, DRIVEN (38T)	1	1	1	1	
26	90109-10013	BOLT	4	4	4	4	
27	90185-10011	NUT, SELF-LOCKING	4	4	4	4	



**FIG. 29 REAR BRAKE**



REF. NO.	PART NO.	DESCRIPTION	CAN	EUR	OC	JPN	REMARKS
1	5YT-25712-00	BRACKET, DISC	1	1	1	1	
2	5TG-2582W-00	DISK, REAR BRAKE 2	1	1	1	1	
3	90109-081F0	BOLT	4	4	4	4	
4	5YT-2580W-00	CALIPER ASSY, REAR 2	1	1	1	1	
5	5LP-W0057-50	.PISTON ASSY, CALIPER	1	1	1	1	
6	5LP-W0047-50	..CALIPER SEAL KIT	1	1	1	1	
7	1UY-25972-51	.ADJUSTBOLT	1	1	1	1	
8	5LP-W0046-50	.BRAKE PAD KIT 2	1	1	1	1	
9	1UY-W0048-50	.BLEED SCREW KIT	1	1	1	1	
10	1UY-25924-51	.PIN, PAD	2	2	2	2	
11	1UY-25917-51	.BOOT, CALIPER	2	2	2	2	
12	5YT-25977-50	.SPRING, RETURN	1	1	1	1	
13	1UY-25933-51	.WASHER, PAD PIN	1	1	1	1	
14	90105-08182	BOLT, FLANGE	2	2	2	2	

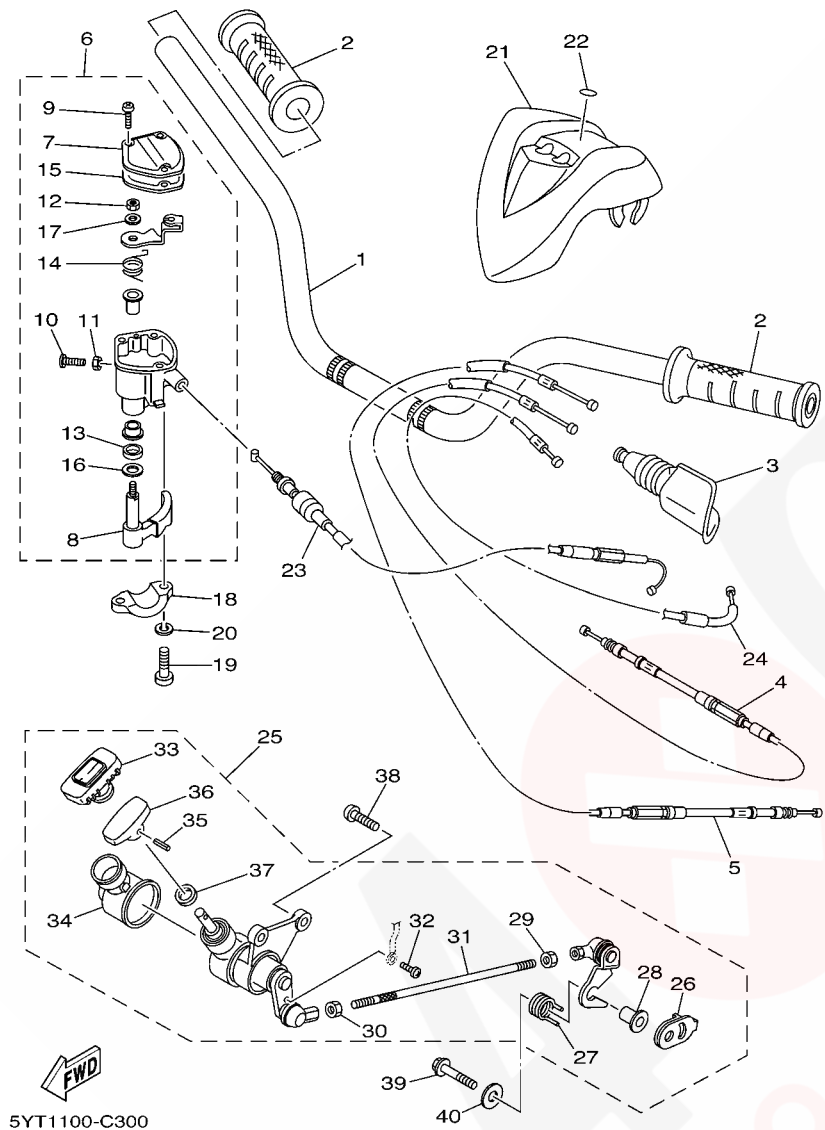
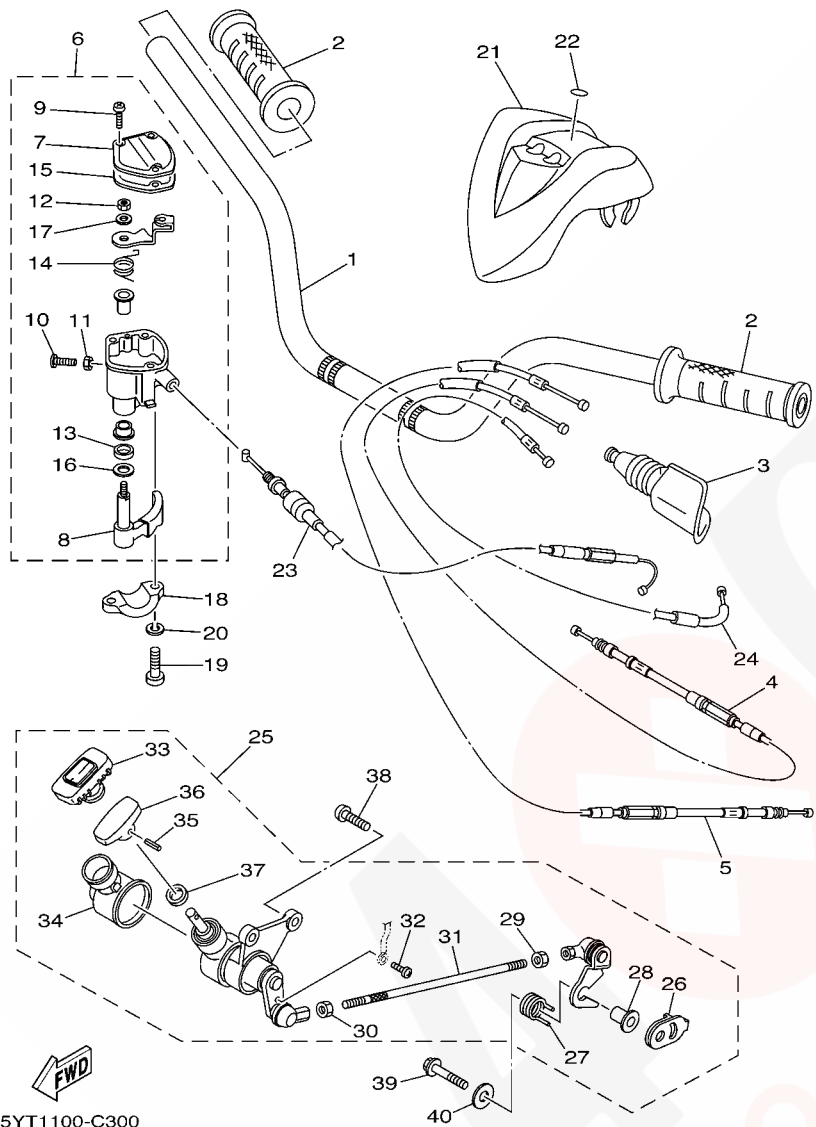


FIG. 30 STEERING HANDLE & CABLE

REF. NO.	PART NO.	DESCRIPTION	CAN	EUR	OC	JPN	REMARKS
1	5YT-26111-10	HANDLEBAR	1	1	1	1	
2	5LP-26241-00	GRIP	2	2	2	2	
3	31A-26372-00	COVER, HANDLE LEVER 1	1	1	1	1	
4	5YT-26335-10	CABLE, CLUTCH	1	1	1	1	
5	5YT-26341-01	WIRE, BRAKE 1	1	1	1	1	
6	4KB-26250-20	THROTTLE LEVER ASSY	1	1	1	1	
7	4KB-2628F-20	.CAP, GEAR	1	1	1	1	
8	1NV-2625G-01	.LEVER, THROTTLE	1	1	1	1	
9	4KB-2632G-00	.SCREW	3	3	3	3	
10	4KB-26256-00	.SCREW, GRIP END	1	1	1	1	
11	95607-05100	.NUT, U	1	1	1	1	
12	4KB-26258-00	.NUT, LOCK	1	1	1	1	
13	93104-09025	.OIL SEAL	1	1	1	1	
14	1NV-26304-00	.SPRING	1	1	1	1	
15	4KB-2628G-00	.GASKET	1	1	1	1	
16	1NV-26129-00	.WASHER	1	1	1	1	
17	1NV-26398-00	.WASHER	1	1	1	1	
18	4V4-82913-00	HOLDER, LEVER LOWER 1	1	1	1	1	
19	98502-05020	SCREW, PAN HEAD	2	2	2	2	
20	92902-05600	WASHER, PLATE	2	2	2	2	
21	5YT-26124-20	PROTECTOR, HANDLEBAR	1	1	1	1	
22	5GT-2836B-10	TUNING FORK MARK	1	1	1	1	
23	5YT-26311-10	CABLE, THROTTLE 1	1	1	1	1	
24	5YT-26331-00	CABLE, STARTER 1	1	1	1	1	
25	5YT-26150-20	REV. LEVER ASSY.	1	1	1	1	
26	4SH-18198-00	.LEVER	1	1	1	1	
27	90508-35764	.SPRING, TORSION	1	1	1	1	

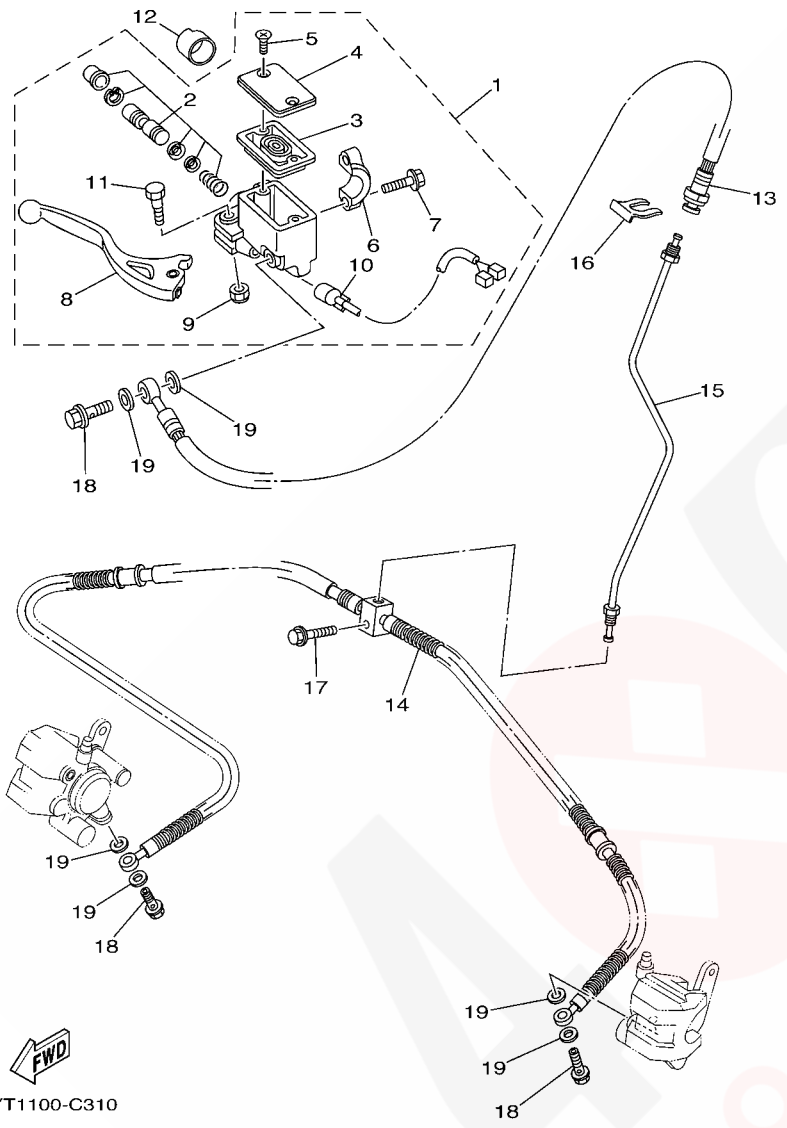




5YT1100-C300

FIG. 30 STEERING HANDLE & CABLE

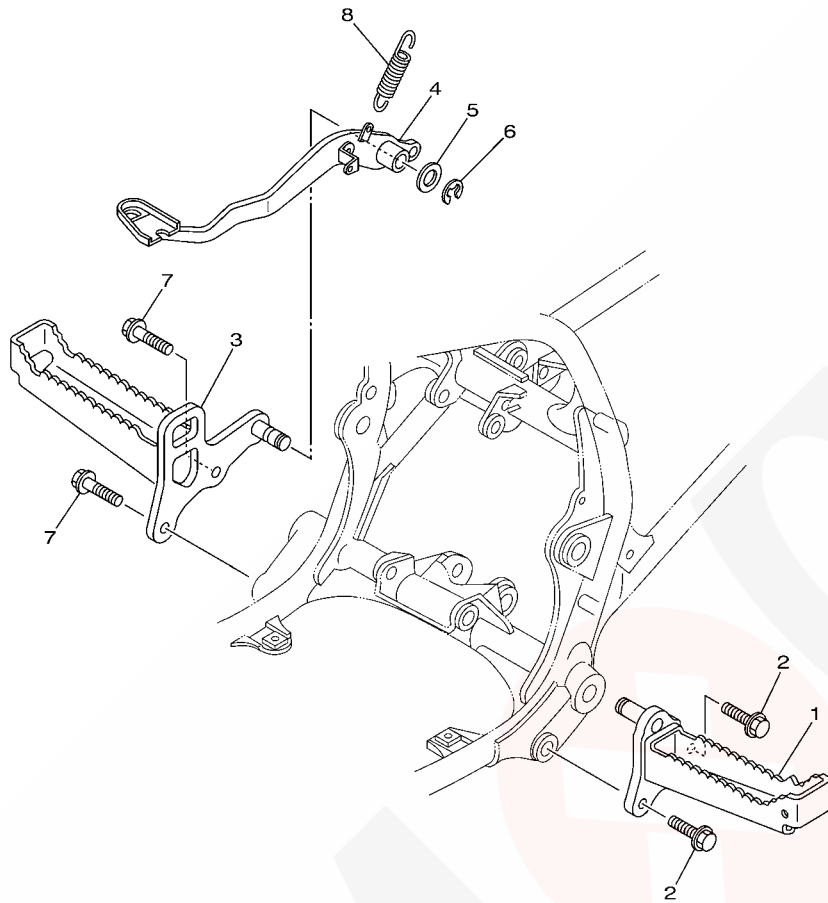
REF. NO.	PART NO.	DESCRIPTION	CAN	EUR	OC	JPN	REMARKS
28	90387-063W7	.COLLAR	1	1	1	1	
29	95317-06700	.NUT	1	1	1	1	
30	90170-06023	.NUT	1	1	1	1	
31	3GD-26166-10	.ROD, JOINT	1	1	1	1	
32	98502-04008	.SCREW, PAN HEAD	1	1	1	1	
33	1UY-26153-00	.GRIP, LEVER	1	1	1	1	
34	1UY-26372-00	.COVER, HANDLE LEVER 1	1	1	1	1	
35	91609-40016	.PIN, SPRING	1	1	1	1	
36	1UY-26157-00	.LEVER, LOCK	1	1	1	1	
37	93109-08050	.OIL SEAL	1	1	1	1	
38	92012-08020	BOLT, BUTTON HEAD	2	2	2	2	
39	95812-06035	BOLT, FLANGE	1	1	1	1	
40	90201-06036	WASHER, PLATE	1	1	1	1	



**FIG. 31 FRONT MASTER CYLINDER**

REF. NO.	PART NO.	DESCRIPTION	CAN	EUR	OC	JPN	REMARKS
1	5LP-2583T-01	MASTER CYLINDER ASSY	1	1	1	1	
2	5LP-W0041-00	.CYLINDER KIT, MASTER	1	1	1	1	
3	4L0-25854-00	.GASKET, DIAPHRAGM	1	1	1	1	
4	5LP-25852-01	.CAP, RESERVOIR	1	1	1	1	
5	4NK-2589H-00	.SCREW	2	2	2	2	
6	5LP-25867-00	.HOLDER	1	1	1	1	
7	5MV-25833-00	.BOLT, FITTING	2	2	2	2	
8	5LP-83922-00	.LEVER 2	1	1	1	1	
9	95604-06100	.NUT, U	1	1	1	1	
10	5LP-83980-00	.FRONT STOP SWITCH ASSY	1	1	1	1	
11	5MV-2589F-00	.BOLT, LEVER	1	1	1	1	
12	1UY-26259-00	COLLAR	1	1	1	1	
13	5YT-25872-10	HOSE, BRAKE 1	1	1	1	1	
14	5YT-25873-10	HOSE, BRAKE 2	1	1	1	1	
15	5YT-25871-10	PIPE, BRAKE	1	1	1	1	
16	2GU-25866-00	CIRCLIP	1	1	1	1	
17	95822-06025	BOLT, FLANGE	1	1	1	1	
18	90401-10015	BOLT, UNION	3	3	3	3	
19	90201-10118	WASHER, PLATE	6	6	6	6	

5YT1100-C310



  
5YT1100-C320

**FIG. 32 STAND & FOOTREST**

REF. NO.	PART NO.	DESCRIPTION	CAN	EUR	OCE	JPN	REMARKS
1	5YT-27411-10	FOOTREST 1	1	1	1	1	
2	95812-10025	BOLT, FLANGE	2	2	2	2	
3	5YT-27421-10	FOOTREST 2	1	1	1	1	
4	5YT-27211-10	PEDAL, BRAKE	1	1	1	1	
5	90201-15018	WASHER, PLATE	1	1	1	1	
6	93430-12008	CIRCLIP	1	1	1	1	
7	95812-10025	BOLT, FLANGE	2	2	2	2	
8	90506-20026	SPRING, TENSION	1	1	1	1	

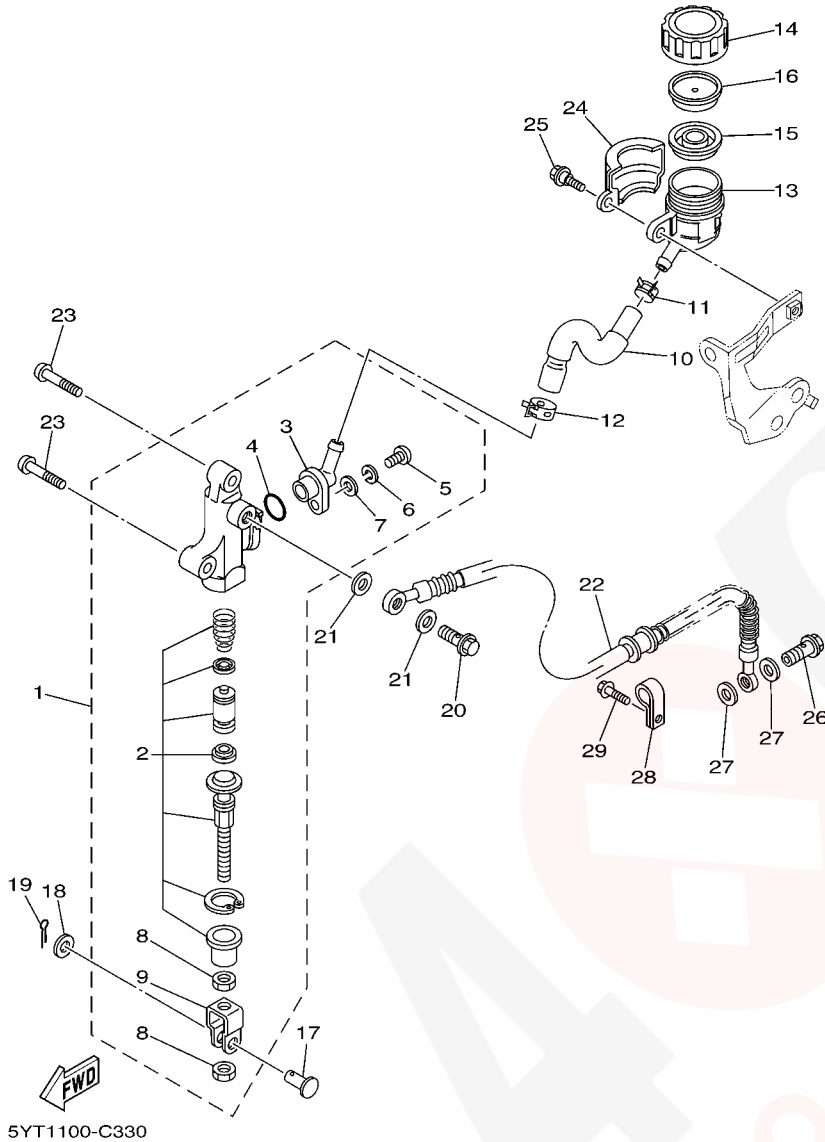


FIG. 33 REAR MASTER CYLINDER

REF. NO.	PART NO.	DESCRIPTION	CAN	EUR	OC	JPN	REMARKS
1	5YT-2583V-00	RR. MASTER CYLINDER ASSY.	1	1	1	1	
2	5FK-W0042-50	.CYLINDER KIT, MASTER	1	1	1	1	
3	47X-2582A-50	.JOINT	1	1	1	1	
4	93210-15620	.O-RING	1	1	1	1	
5	98506-04012	.SCREW, PAN HEAD	1	1	1	1	
6	92906-04100	.WASHER, SPRING	1	1	1	1	
7	92906-04600	.WASHER, PLATE	1	1	1	1	
8	4SS-27218-00	.NUT	2	2	2	2	
9	2YK-27222-00	.JOINT	1	1	1	1	
10	5YT-25895-00	HOSE, RESERVOIR	1	1	1	1	
11	90467-11044	CLIP	1	1	1	1	
12	90467-140A6	CLIP	1	1	1	1	
13	4EW-25894-00	TANK, RESERVOIR	1	1	1	1	
14	3XP-25852-50	CAP, RESERVOIR	1	1	1	1	
15	2VN-25854-00	GASKET, DIAPHRAGM	1	1	1	1	
16	2VN-25855-00	BUSH,DIAPHRAGM	1	1	1	1	
17	90240-08005	PIN, CLEVIS	1	1	1	1	
18	90201-08066	WASHER, PLATE	1	1	1	1	
19	91401-16012	PIN, COTTER	1	1	1	1	
20	90401-10015	BOLT, UNION	1	1	1	1	
21	90201-10118	WASHER, PLATE	2	2	2	2	
22	5YT-25874-10	HOSE, BRAKE	1	1	1	1	
23	92012-08030	BOLT, BUTTON HEAD	2	2	2	2	
24	5YT-25888-00	COVER, RESERVOIR TANK	1	1	1	1	
25	90109-06240	BOLT	1	1	1	1	
26	90401-10015	BOLT, UNION	1	1	1	1	
27	90201-10118	WASHER, PLATE	2	2	2	2	

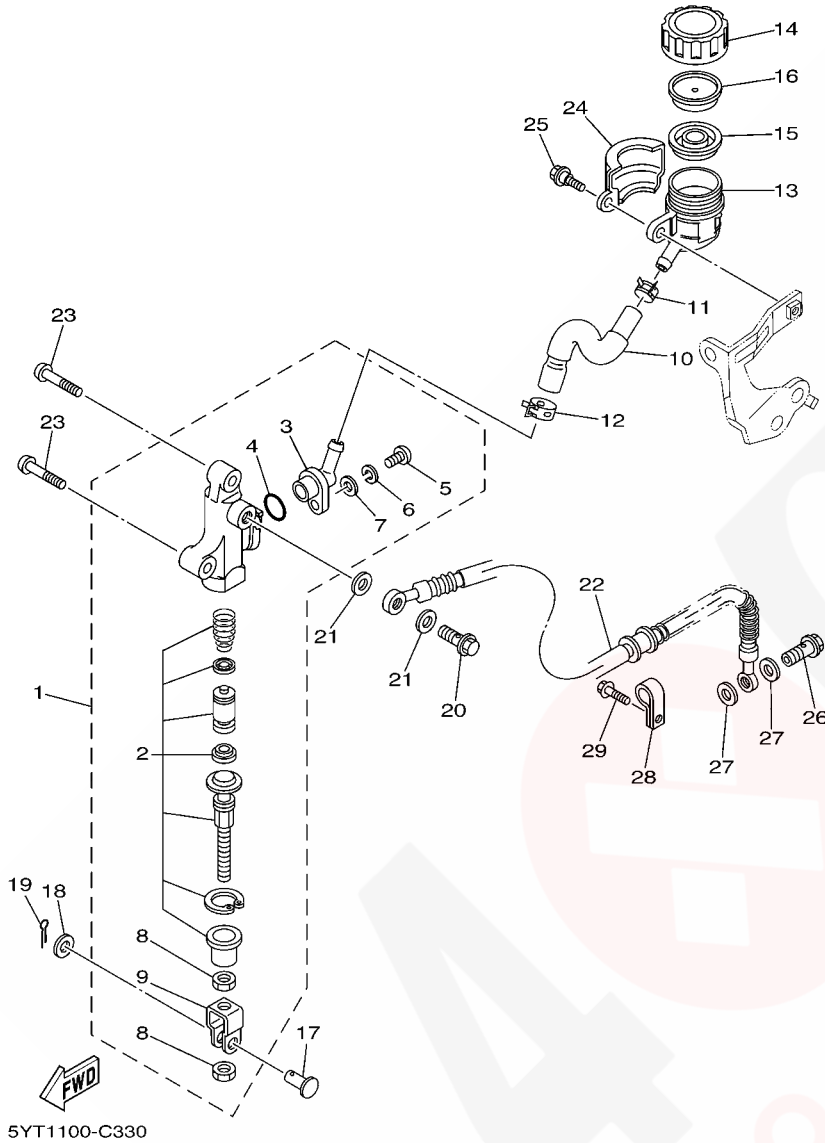


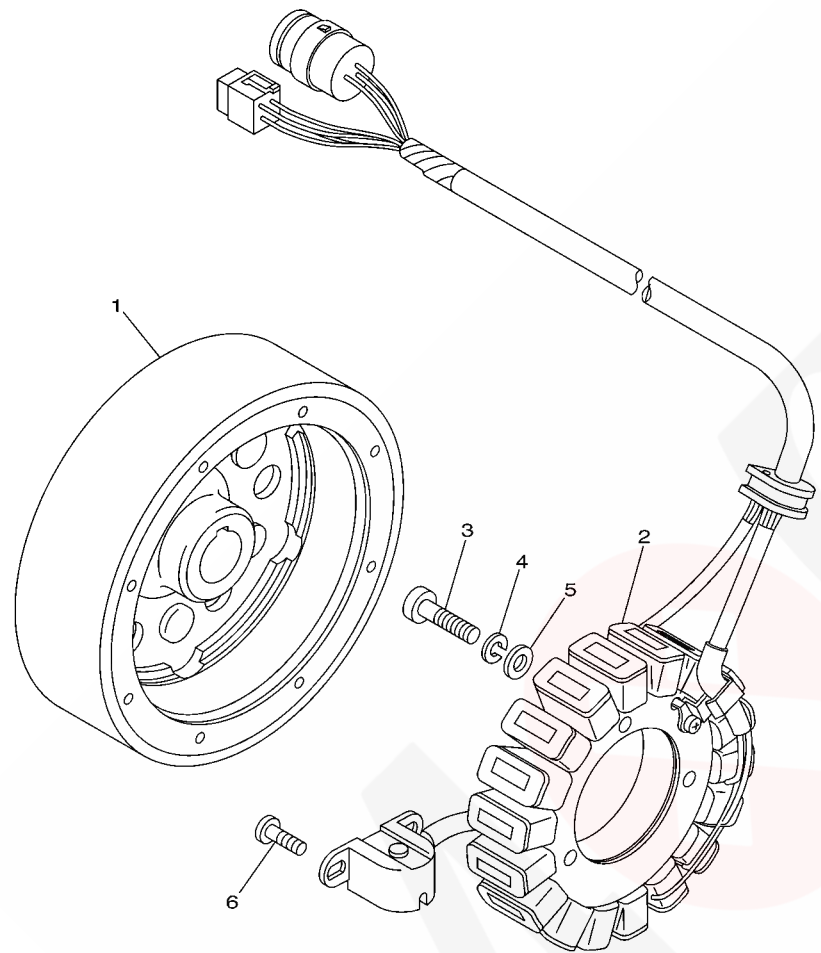
FIG. 33 REAR MASTER CYLINDER

REF. NO.	PART NO.	DESCRIPTION	CAN	EUR	OCE	JPN	REMARKS
28	5YT-25876-10	HOLDER, BRAKE HOSE 2	1	1	1	1	
29	95802-06020	BOLT, FLANGE	1	1	1	1	

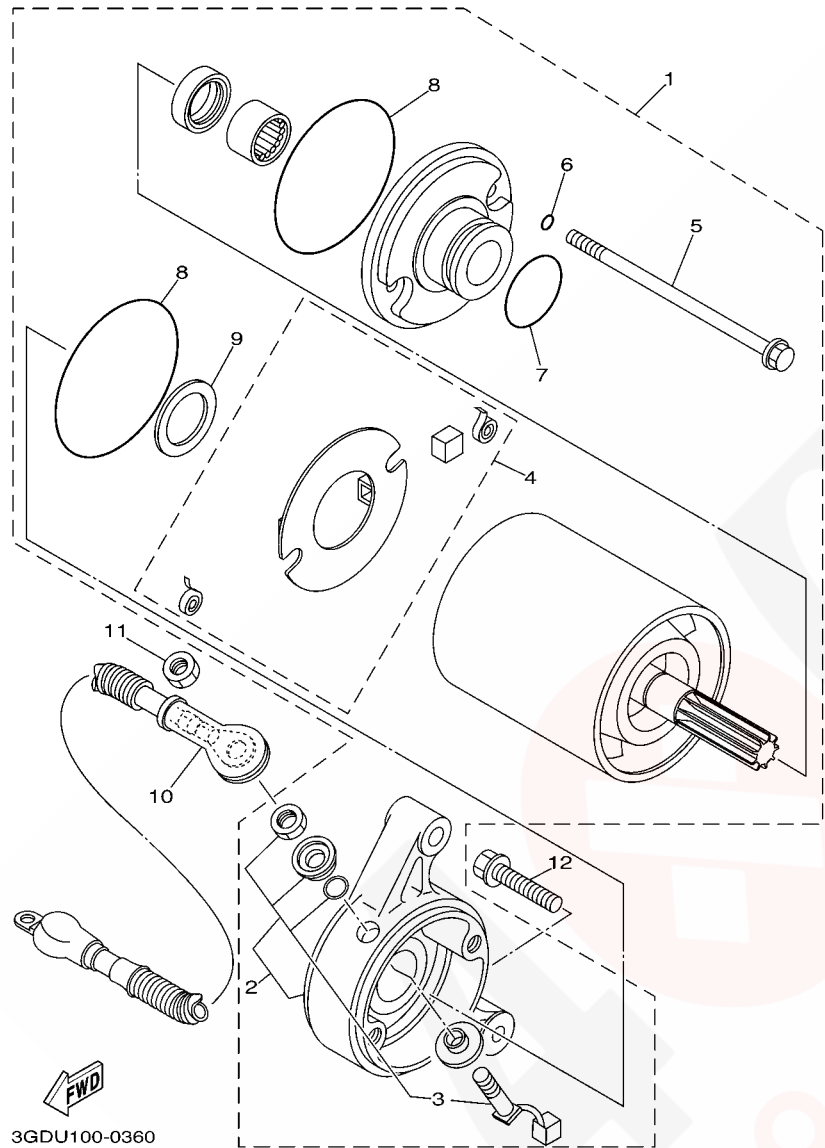


FIG. 35 GENERATOR

REF. NO.	PART NO.	DESCRIPTION	CAN	EUR	OCE	JPN	REMARKS
1	5NF-81450-01	ROTOR ASSY	1	1	1	1	
2	5NF-81410-00	STATOR ASSY	1	1	1	1	
3	92502-06030	SCREW, PAN HEAD	3	3	3	3	
4	92902-06100	WASHER, SPRING	3	3	3	3	
5	92902-06600	WASHER, PLATE	3	3	3	3	
6	98502-05014	SCREW, PAN HEAD	2	2	2	2	



5NF4100-2351

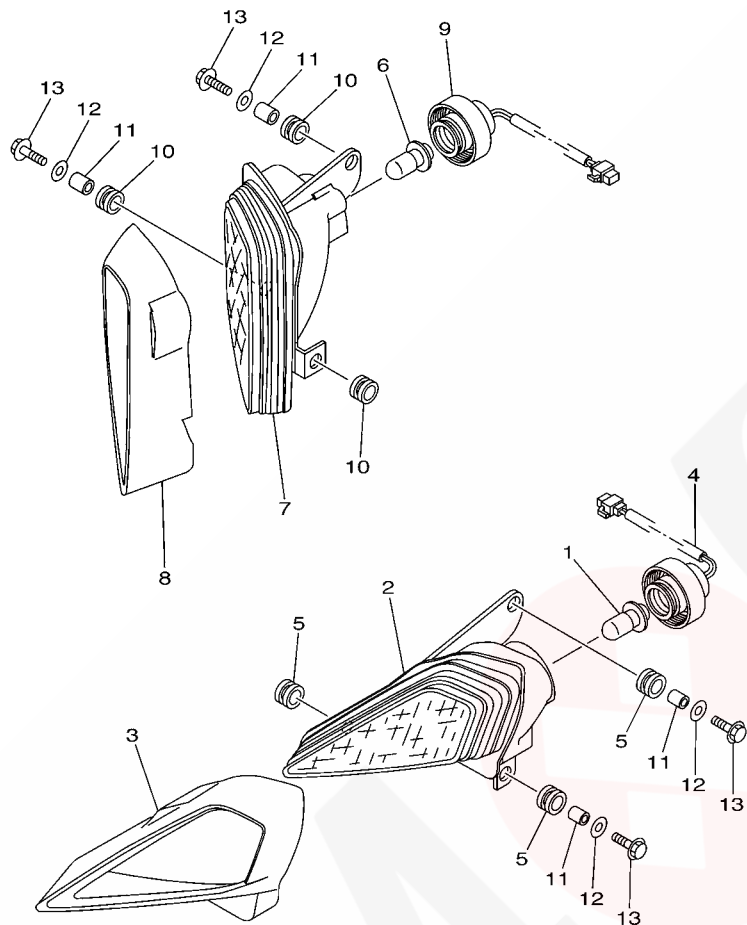


3GDU100-0360

FIG. 36 STARTING MOTOR

REF. NO.	PART NO.	DESCRIPTION	CAN	EUR	OCE	JPN	REMARKS
1	1UY-81890-00	MOTOR ASSY	1	1	1	1	
2	1UY-81820-51	.REAR BRACKET ASSY	1	1	1	1	
3	1UY-81818-50	..BRUSH AND BOLT	1	1	1	1	
4	8L6-81840-50	.BRUSH HOLDER ASSY	1	1	1	1	
5	3GD-81826-00	.BOLT, THROUGH	2	2	2	2	
6	8L6-81847-50	.O-RING	2	2	2	2	
7	1UY-81847-50	.O-RING	1	1	1	1	
8	4H7-81844-50	.O-RING	2	2	2	2	
9	4H7-81843-50	.WASHER 1	1	1	1	1	
10	5YT-81815-00	CORD, STARTER MOTOR	1	1	1	1	
11	95302-06600	NUT	1	1	1	1	
12	95022-06030	BOLT, FLANGE	2	2	2	2	



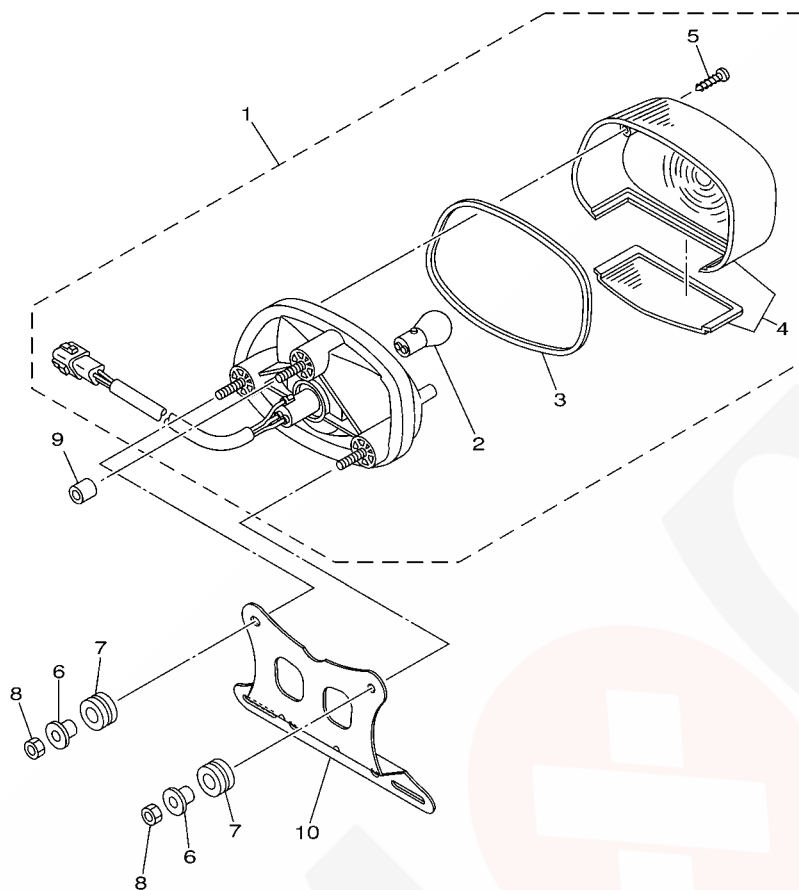


  
 5YT1100-C370

**FIG. 37 HEADLIGHT**

REF. NO.	PART NO.	DESCRIPTION	CAN	EUR	OCE	JPN	REMARKS
1	4KB-84314-01	BULB (12V-30/30W)	1	1	1	1	
2	5TG-84110-03	HEADLIGHT UNIT ASSY	1	1	1	1	
3	5TG-84165-01	RIM, HEADLIGHT COVER 1	1	1	1	1	
4	5TG-84140-01	SOCKET CORD ASSY	1	1	1	1	
5	90480-14102	GROMMET	3	3	3	3	
6	4KB-84314-01	BULB (12V-30/30W)	1	1	1	1	
7	5TG-84310-03	HEADLIGHT UNIT ASSY	1	1	1	1	
8	5TG-84166-01	RIM, HEADLIGHT COVER 2	1	1	1	1	
9	5TG-84340-01	SOCKET CORD ASSY 1	1	1	1	1	
10	90480-14102	GROMMET	3	3	3	3	
11	90387-07598	COLLAR	4	4	4	4	
12	90201-06078	WASHER, PLATE	4	4	4	4	
13	95802-06025	BOLT, FLANGE	4	4	4	4	

FIG. 38 TAILLIGHT

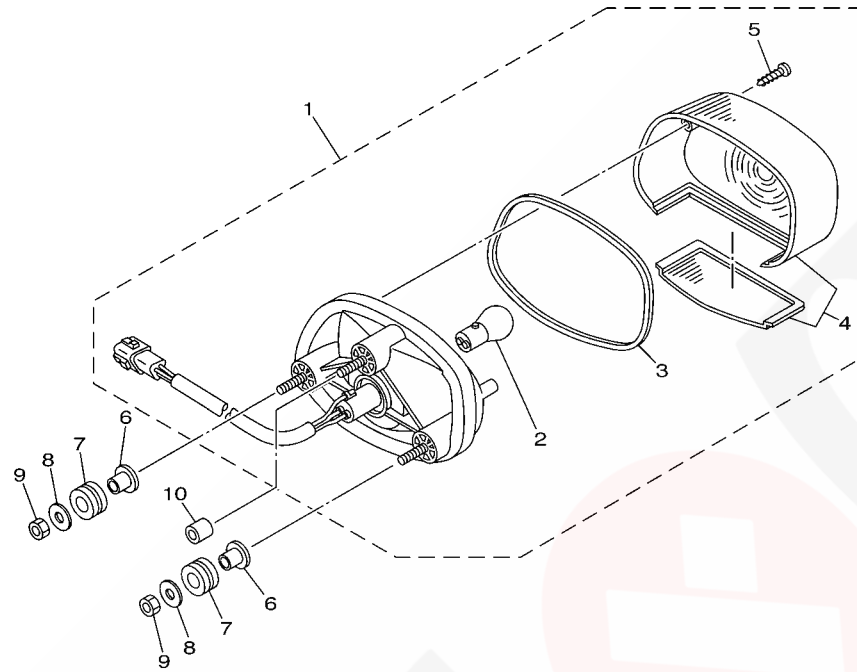


REF. NO.	PART NO.	DESCRIPTION	CAN	EUR	OCE	JPN	REMARKS
1	5LP-84700-00	TAILLIGHT ASSY	1				
2	256-84714-60	.BULB (12V-21/5W)	1				
3	4TR-84723-00	.GASKET, TAIL LENS	1				
4	4TR-84733-00	.LENS, TAILLIGHT	1				
5	97706-40620	.SCREW, TAPPING	2				
6	90387-06158	COLLAR	2				
7	90480-14555	GROMMET	2				
8	95302-06600	NUT	2				
9	90445-09M32	HOSE (L9)	1				
10	5YT-84751-00	BRACKET, LICENSE	1				



5YT1100-C390

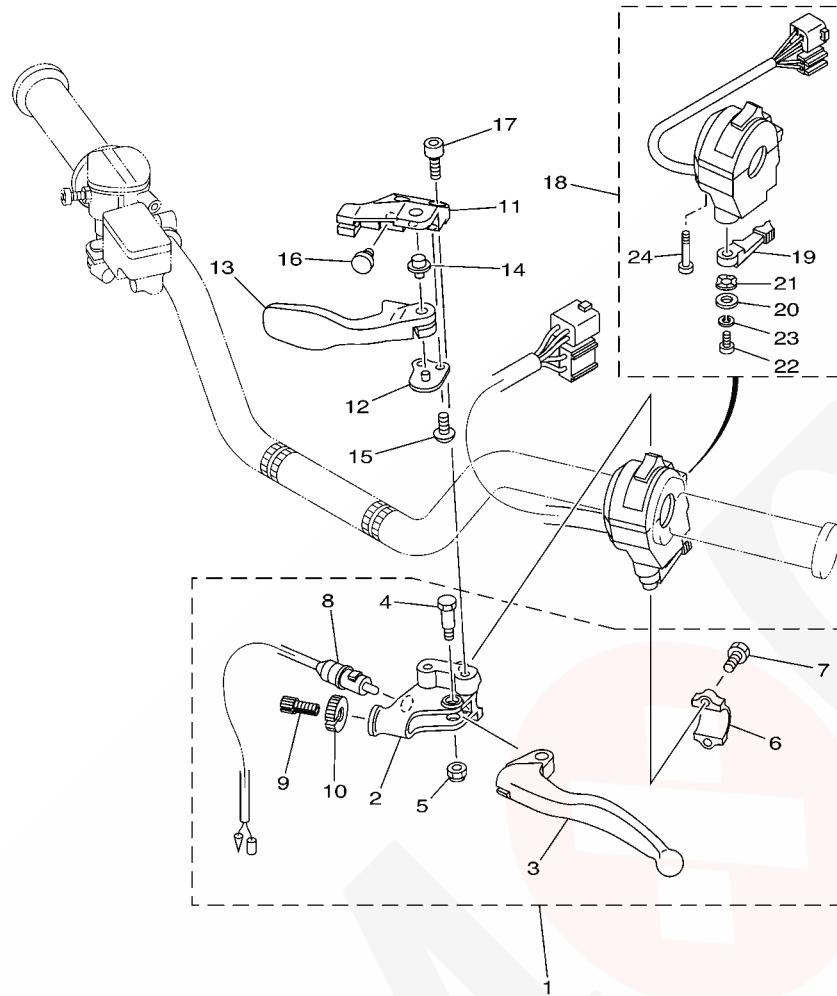
FIG. 39 TAILLIGHT 2



REF. NO.	PART NO.	DESCRIPTION	CAN	EUR	OCE	JPN	REMARKS
1	5LP-84700-00	TAILLIGHT ASSY		1	1	1	
2	256-84714-60	.BULB (12V-21/5W)		1	1	1	
3	4TR-84723-00	.GASKET, TAIL LENS		1	1	1	
4	4TR-84733-00	.LENS, TAILLIGHT		1	1	1	
5	97706-40620	.SCREW, TAPPING		2	2	2	
6	90387-06158	COLLAR		2	2	2	
7	90480-14555	GROMMET		2	2	2	
8	90201-06078	WASHER, PLATE		2	2	2	
9	95302-06600	NUT		2	2	2	
10	90445-09M32	HOSE (L9)		1	1	1	



5YT1100-C380



5YT1100-C400

FIG. 40 HANDLE SWITCH & LEVER

REF. NO.	PART NO.	DESCRIPTION	CAN	EUR	OC	JPN	REMARKS
1	5YT-82910-10	LEVER HOLDER ASSY (LEFT)	1	1	1	1	
2	5YT-82911-10	.HOLDER, LEVER 1	1	1	1	1	
3	2HT-83912-00	.LEVER 1	1	1	1	1	
4	90109-06798	.BOLT	1	1	1	1	
5	95602-06100	.NUT, U	1	1	1	1	
6	5TG-82913-00	.HOLDER, LEVER LOWER 1	1	1	1	1	
7	97002-05016	.BOLT	2	2	2	2	
8	5KM-82917-00	.SWITCH	1	1	1	1	
9	90123-08046	.BOLT	1	1	1	1	
10	90179-08148	.NUT	1	1	1	1	
11	5TG-25727-00	BRACKET, LEVER	1	1	1	1	
12	5D3-25689-00	PLATE, GUIDE	1	1	1	1	
13	5TG-25726-00	LEVER, BRAKE	1	1	1	1	
14	5TG-83923-00	COLLAR, LEVER 2	1	1	1	1	
15	92012-06014	BOLT, BUTTON HEAD	2	2	2	2	
16	90338-07007	PLUG	1	1	1	1	
17	92012-06014	BOLT, BUTTON HEAD	2	2	2	2	
18	5LP-83973-01	SWITCH, HANDLE 3	1	1	1	1	
19	5GH-83941-00	.LEVER, STARTER	1	1	1	1	
20	1UY-83909-00	.WASHER, SPECIAL	1	1	1	1	
21	3L4-83943-00	.WASHER, STARTER	1	1	1	1	
22	98517-05012	.SCREW, PAN HEAD	1	1	1	1	
23	92907-05100	.WASHER, SPRING	1	1	1	1	
24	98507-05030	.SCREW, PAN HEAD	2	2	2	2	

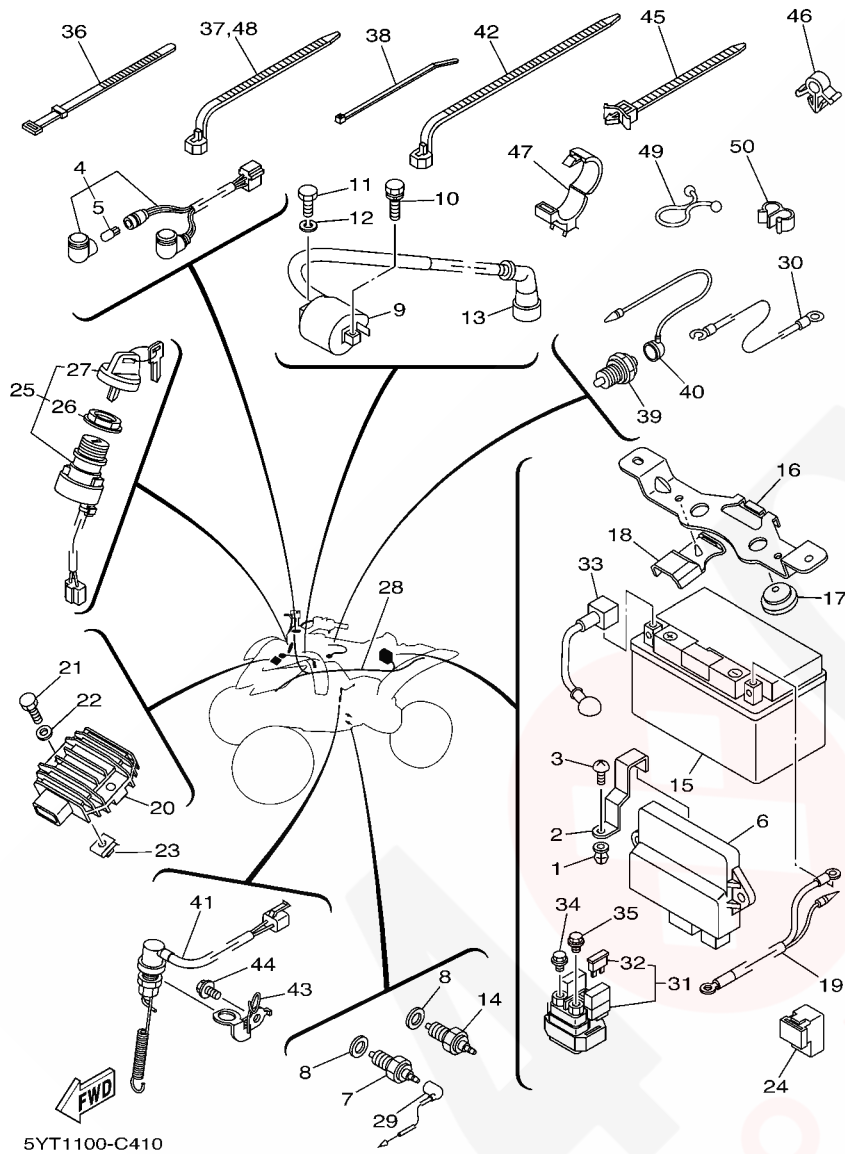


FIG. 41 ELECTRICAL 1

REF. NO.	PART NO.	DESCRIPTION	CAN	EUR	OCE	JPN	REMARKS
1	90338-08226	PLUG	1	1	1	1	
2	5YT-8553A-00	STAY UNIT	1	1	1	1	
3	97702-60016	SCREW, TAPPING	1	1	1	1	
4	5YT-83530-00	PILOT LIGHT ASSY	1	1	1	1	
5	5GH-83516-00	.BULB (14V-1.7W)	2	2	2	2	
6	5YT-85540-00	C.D.I. UNIT ASSY	1	1	1	1	
7	3GB-82540-01	NEUTRAL SWITCH ASSY	1	1	1	1	
8	90430-10148	GASKET	2	2	2	2	
9	3KJ-82310-10	IGNITION COIL ASSY	1	1	1	1	
10	90109-06723	BOLT	1	1	1	1	
11	97002-06020	BOLT	1	1	1	1	
12	92902-06100	WASHER, SPRING	1	1	1	1	
13	1UY-82370-20	PLUG CAP ASSY	1	1	1	1	
14	3GD-82540-11	NEUTRAL SWITCH ASSY	1	1	1	1	
15	5VY-82100-00	BATTERY ASSY (YUASA YTZ10S)	1	1	1		
	90793-26114	BATTERY ASSY (YUASA YTZ10S)				1	
16	5YT-82128-00	BRACKET, BATTERY	1	1	1	1	
17	371-82121-00	PAD, BATTERY	2	2	2	2	
18	5YT-82129-00	COVER, BATTERY	1	1	1	1	
19	5YT-82116-00	WIRE, MINUS LEAD	1	1	1	1	
20	5GT-81960-00	RECTIFIER & REGULATOR ASSY	1	1	1	1	
21	97002-06025	BOLT	1	1	1	1	
22	92902-06600	WASHER, PLATE	1	1	1	1	
23	90183-061A1	NUT, SPRING	1	1	1	1	
24	3GD-81950-01	RELAY ASSY	1	1	1	1	
25	5LP-82510-00	MAIN SWITCH ASSY	1	1	1	1	
26	3HN-82569-00	.NUT, MAIN SWITCH	1	1	1	1	

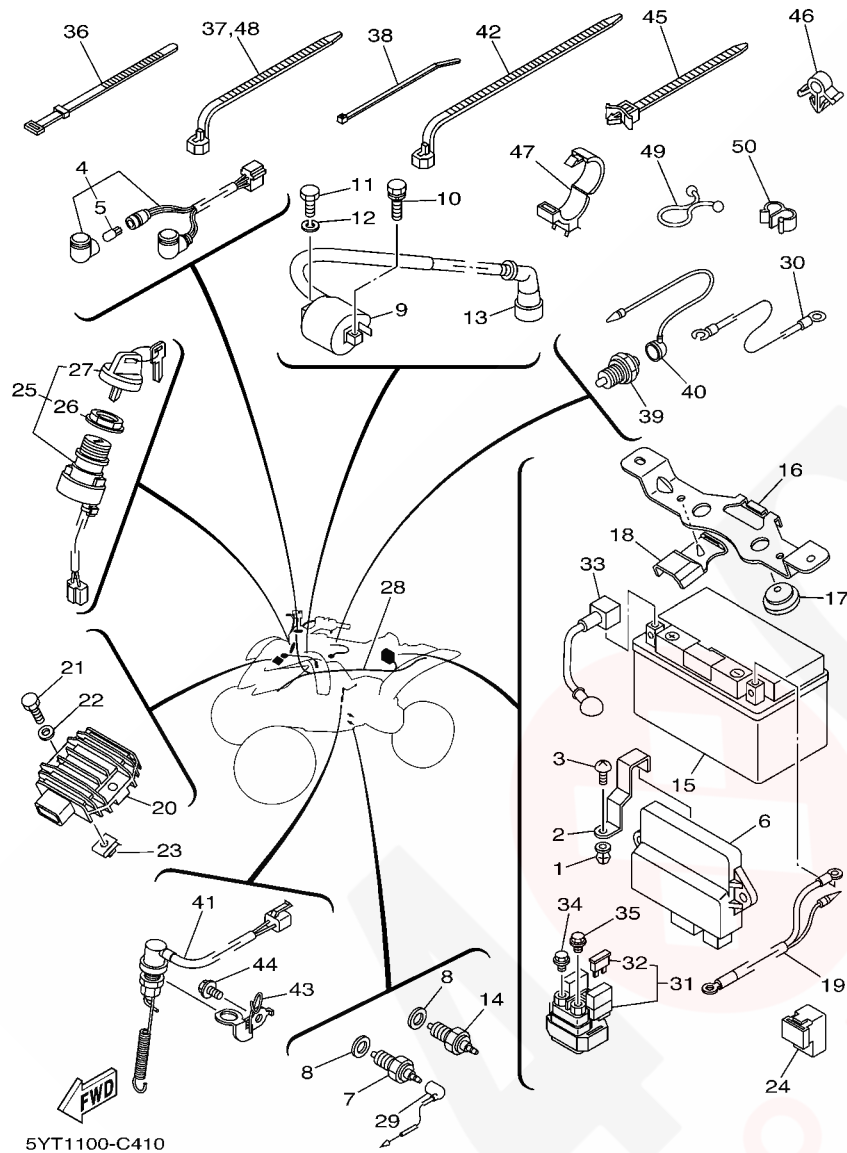


FIG. 41 ELECTRICAL 1

REF. NO.	PART NO.	DESCRIPTION	CAN	EUR	OCE	JPN	REMARKS
27	3HN-82579-00	.CAP, KEY	1	1	1	1	
28	5YT-82590-00	WIRE HARNESS ASSY	1	1	1	1	
29	5YT-82541-00	WIRE, LEAD	1	1	1	1	
30	3GD-82509-10	WIRE, SUB LEAD	1	1	1	1	
31	1D0-81940-02	STARTER RELAY ASSY	1	1	1	1	
32	36Y-82151-00	.FUSE (15A-BL)	2	2	2	2	
33	5YT-82115-00	WIRE, PLUS LEAD	1	1	1	1	
34	95022-06008	BOLT, FLANGE	1	1	1	1	
35	95022-06008	BOLT, FLANGE	1	1	1	1	
36	437-83936-01	BAND, SWITCH CORD	4	4	4	4	
37	90464-13073	CLAMP	1	1	1	1	
38	90465-10098	CLAMP	1	1	1	1	
39	4KD-82540-00	NEUTRAL SWITCH ASSY	1	1	1	1	
40	5YT-82507-00	WIRE, LEAD	1	1	1	1	
41	5NF-82530-00	STOP SWITCH ASSY	1	1	1	1	
42	90464-15195	CLAMP	2	2	2	2	
43	5YT-2144G-10	STAY, STOP SWITCH	1	1	1	1	
44	95802-06010	BOLT, FLANGE	1	1	1	1	
45	90464-12089	CLAMP	3	3	3	3	
46	90464-15157	CLAMP	1	1	1	1	
47	90464-30252	CLAMP	1	1	1	1	
48	90464-13073	CLAMP	1	1	1	1	
49	90465-18147	CLAMP	1	1	1	1	
50	90468-15139	CLIP	1	1	1	1	

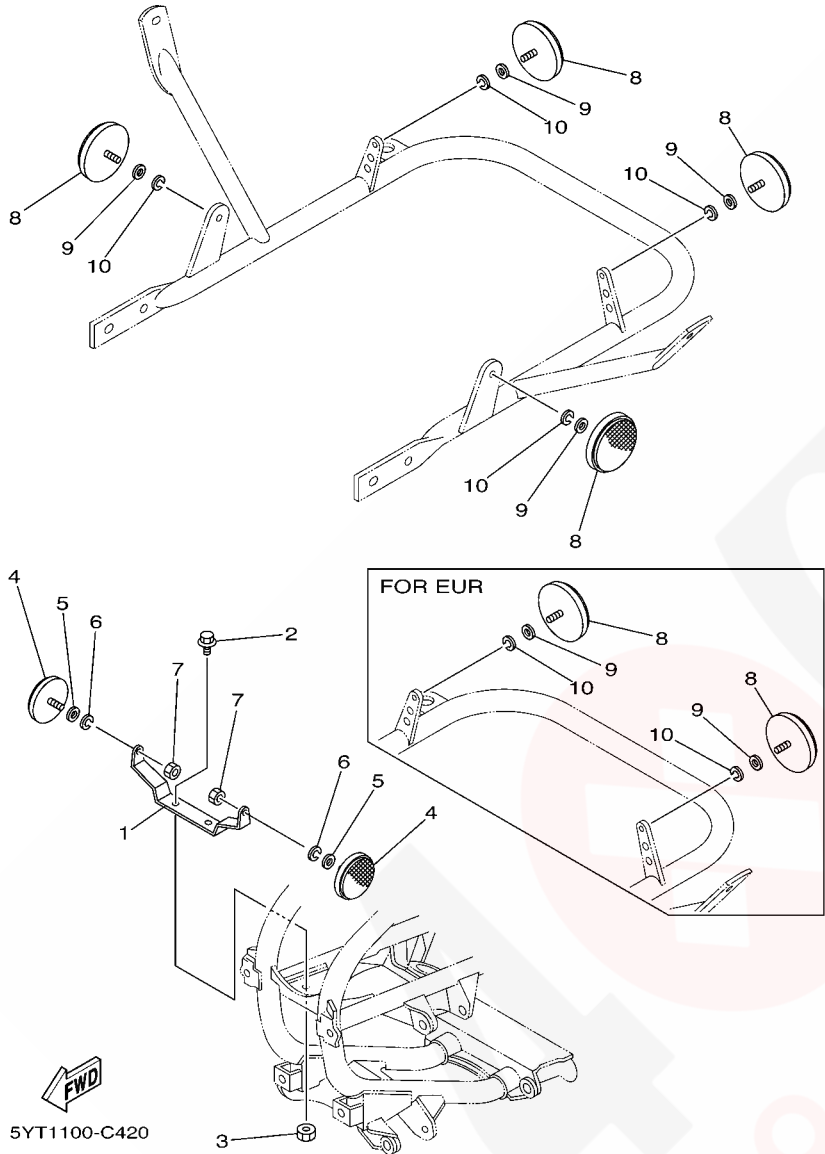


FIG. 42 ELECTRICAL 2

REF. NO.	PART NO.	DESCRIPTION	CAN	EUR	OCE	JPN	REMARKS
1	5YT-85112-10	BRACKET, REFLECTOR 1	1				
2	90119-05062	BOLT, WITH WASHER	2				
3	95302-05600	NUT	2				
4	2EK-85111-00	REFLECTOR, FRONT 1	2				
5	92902-05200	WASHER	2				
6	92902-05100	WASHER, SPRING	2				
7	95302-05600	NUT	2				
8	449-85131-02	REFLECTOR, REAR 1	4	2			
9	92902-05200	WASHER	4	2			
10	92902-05100	WASHER, SPRING	4	2			

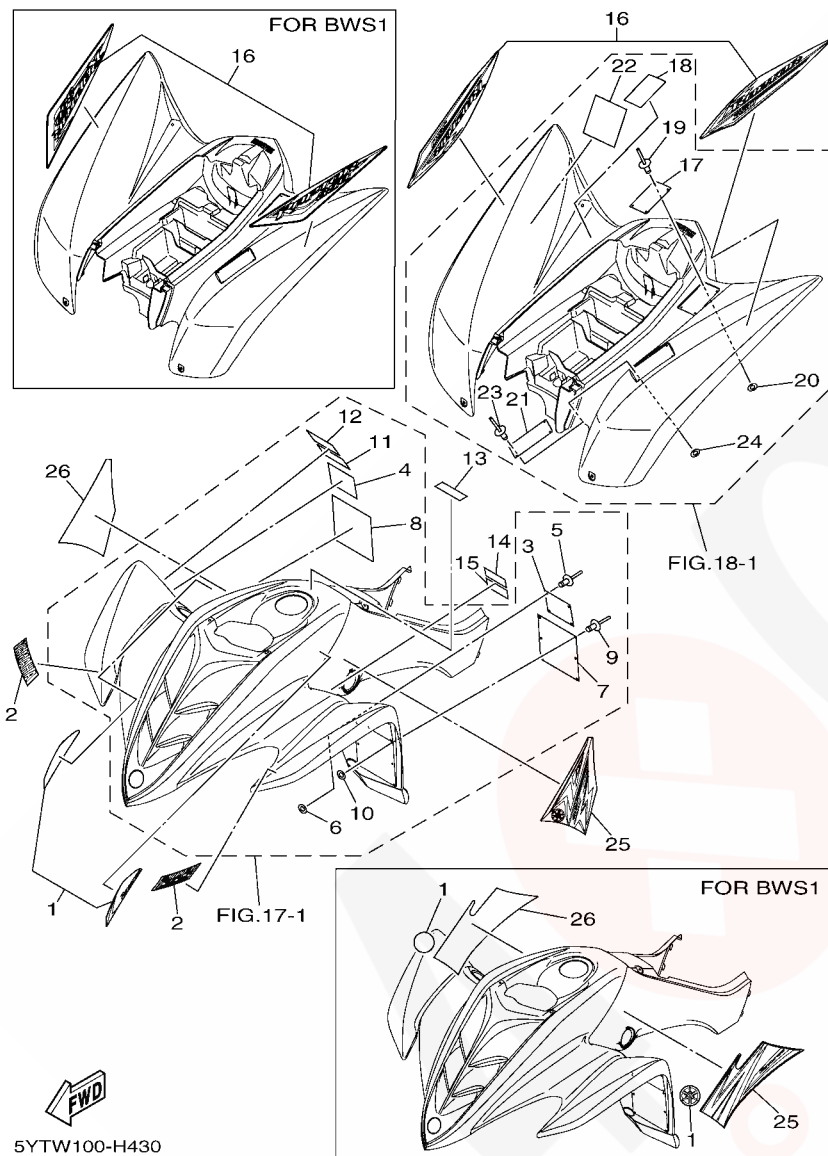


FIG. 43 EMBLEM & LABEL 1

REF. NO.	PART NO.	DESCRIPTION	CAN	EUR	OCE	JPN	REMARKS
1	5YT-21570-60	GRAPHIC SET, FRONT FENDER	1				UR FOR DPBSE
	5FK-2175C-00	TUNING FORK MARK	2				UR FOR BWS1
2	4ES-2153E-01	EMBLEM, YAMAHA	2				UR FOR DPBSE
	4ES-2153E-20	EMBLEM, YAMAHA	2				UR FOR BWS1
3	4D3-2816L-00	LABEL, WARNING AGE	1				ENGLISH
4	4D3-2816L-10	LABEL, WARNING AGE	1				FRENCH
5	90267-32004	RIVET, BLIND	4				
6	90201-03008	WASHER, PLATE	4				
7	5FE-21568-01	LABEL, WARNING	1				ENGLISH
8	4WU-21568-10	LABEL, WARNING	1				FRENCH
9	90267-32004	RIVET, BLIND	6				
10	90201-03008	WASHER, PLATE	6				
11	5YT-2151E-30	LABEL 2	1				ENGLISH
12	5YT-2151E-40	LABEL 2	1				FRENCH
13	4SH-2416E-00	LABEL, CAUTION CANADA	1				ENGLISH
14	4D3-2817J-00	PLATE, ANSI SVIA	1				ENGLISH
15	4D3-2817J-10	PLATE, ANSI SVIA	1				FRENCH
16	5YT-2165B-B0	GRAPHIC SET, REAR FENDER	1				UR FOR DPBSE
	5YT-2165B-D0	GRAPHIC SET, REAR FENDER	1				UR FOR BWS1
17	5FE-2151H-01	LABEL 5	1				ENGLISH
18	4WU-2151H-10	LABEL 5	1				FRENCH
19	90267-32004	RIVET, BLIND	4				
20	90201-03008	WASHER, PLATE	4				
21	5YT-2816M-00	LABEL, WARNING TIRE & LOAD	1				ENGLISH
22	5YT-2816M-10	LABEL, WARNING TIRE & LOAD	1				FRENCH
23	90267-32004	RIVET, BLIND	4				
24	90201-03008	WASHER, PLATE	4				





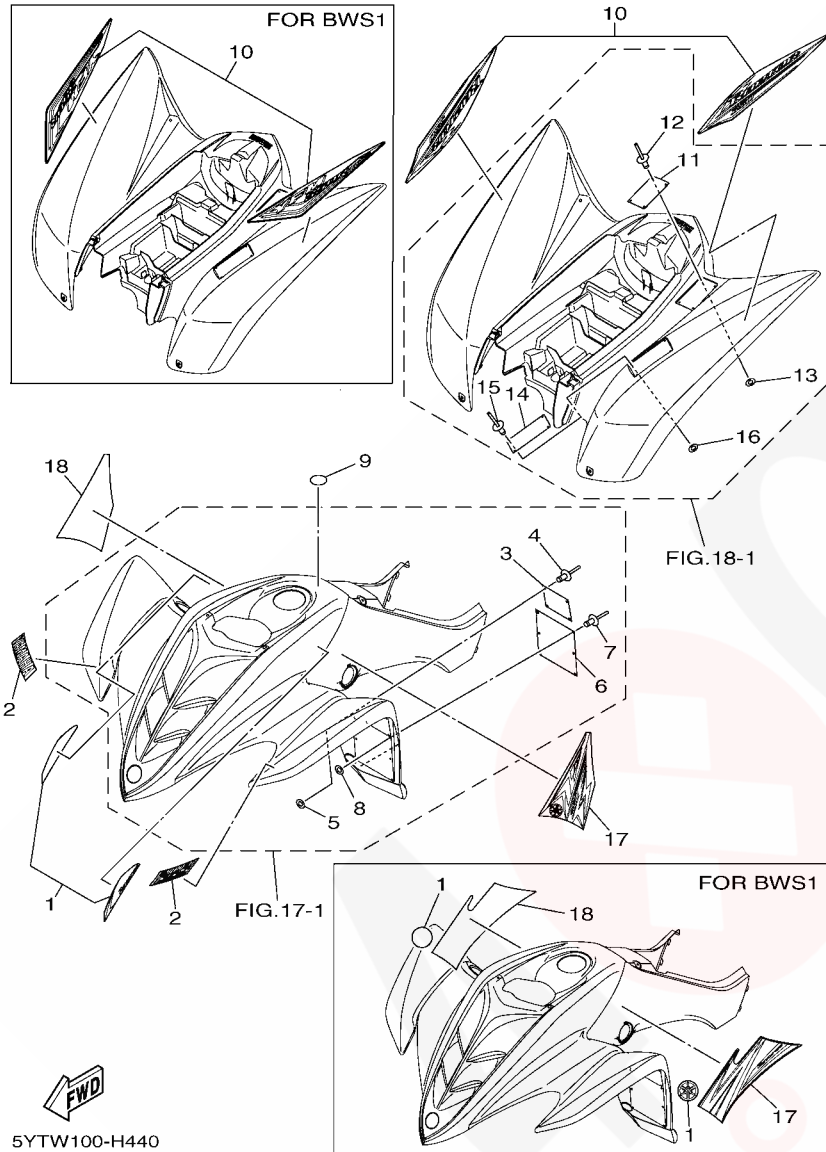


FIG. 44 EMBLEM & LABEL 2

REF. NO.	PART NO.	DESCRIPTION	CAN	EUR	OCE	JPN	REMARKS
1	5YT-21570-60	GRAPHIC SET, FRONT FENDER		1			UR FOR DPBSE
	5FK-2175C-00	TUNING FORK MARK		2			UR FOR BWS1
2	4ES-2153E-01	EMBLEM, YAMAHA		2			UR FOR DPBSE
	4ES-2153E-20	EMBLEM, YAMAHA		2			UR FOR BWS1
3	5FK-21697-00	LABEL, CAUTION 2		1			
4	90267-32004	RIVET, BLIND		4			
5	90201-03008	WASHER, PLATE		4			
6	5FK-21568-00	LABEL, WARNING		1			
7	90267-32004	RIVET, BLIND		6			
8	90201-03008	WASHER, PLATE		6			
9	3ME-2415E-01	LABEL, CAUTION		1			
10	5YT-2165B-C0	GRAPHIC SET, REAR FENDER		1			UR FOR DPBSE
	5YT-2165B-E0	GRAPHIC SET, REAR FENDER		1			UR FOR BWS1
11	5FK-2151H-00	LABEL 5		1			
12	90267-32004	RIVET, BLIND		4			
13	90201-03008	WASHER, PLATE		4			
14	5NF-21696-M0	LABEL, CAUTION		1			
15	90267-32004	RIVET, BLIND		4			
16	90201-03008	WASHER, PLATE		4			
17	5YT-2173E-J0	GRAPHIC 1		1			UR FOR DPBSE
	5YT-2173E-K0	GRAPHIC 1		1			UR FOR BWS1
18	5YT-2173F-J0	GRAPHIC 2		1			UR FOR DPBSE
	5YT-2173F-K0	GRAPHIC 2		1			UR FOR BWS1

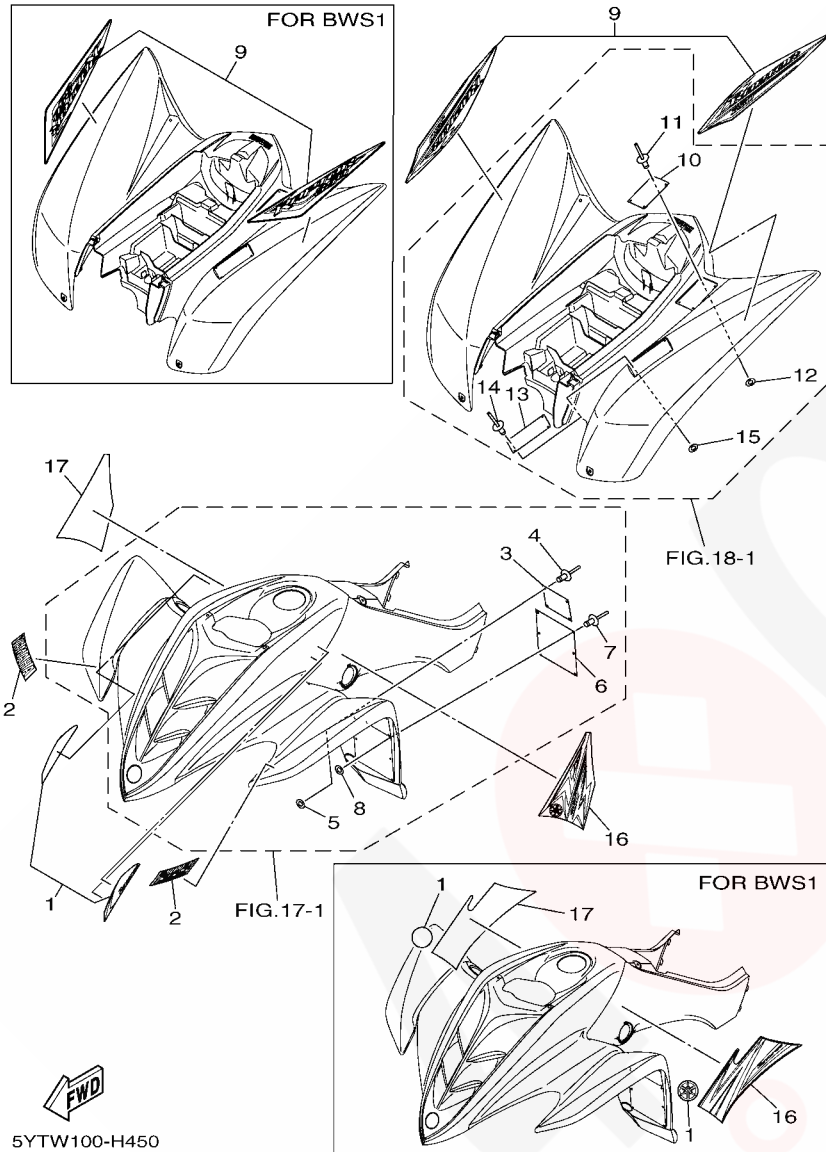
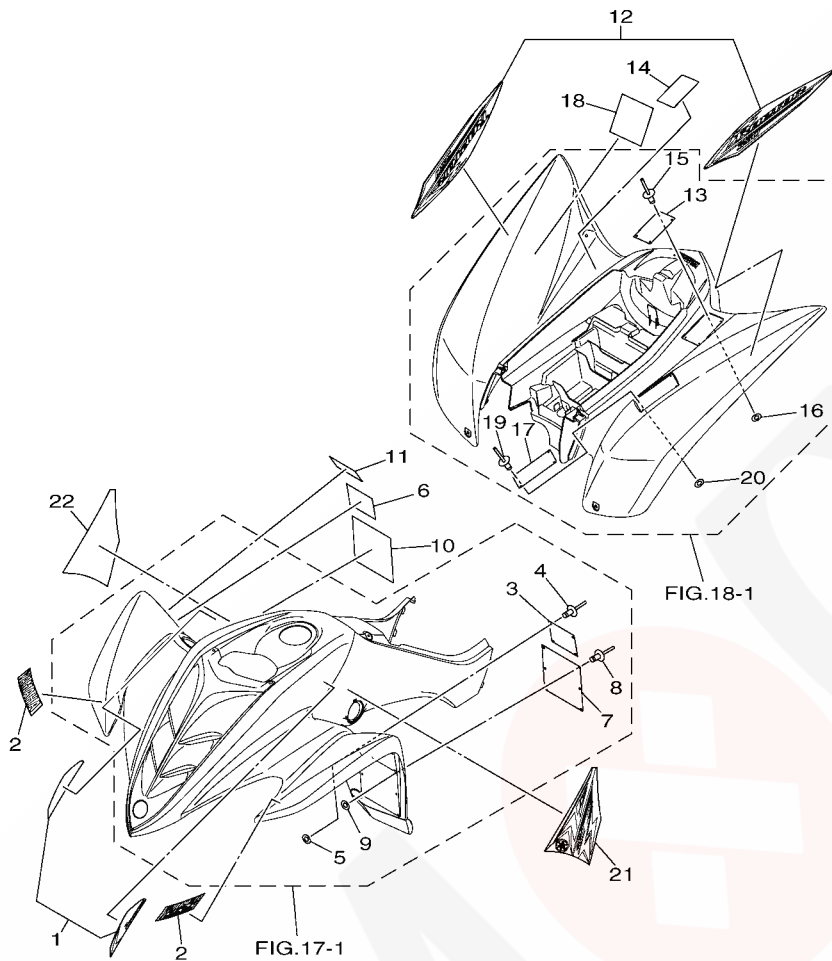


FIG. 45 EMBLEM & LABEL 3

REF. NO.	PART NO.	DESCRIPTION	CAN	EUR	OCE	JPN	REMARKS
1	5YT-21570-60	GRAPHIC SET, FRONT FENDER			1		UR FOR DPBSE
	5FK-2175C-00	TUNING FORK MARK			2		UR FOR BWS1
2	4ES-2153E-01	EMBLEM, YAMAHA			2		UR FOR DPBSE
	4ES-2153E-20	EMBLEM, YAMAHA			2		UR FOR BWS1
3	4D3-2816L-00	LABEL, WARNING AGE			1		ENGLISH
4	90267-32004	RIVET, BLIND			4		
5	90201-03008	WASHER, PLATE			4		
6	5FE-21568-11	LABEL, WARNING			1		ENGLISH
7	90267-32004	RIVET, BLIND			6		
8	90201-03008	WASHER, PLATE			6		
9	5YT-2165B-B0	GRAPHIC SET, REAR FENDER			1		UR FOR DPBSE
	5YT-2165B-D0	GRAPHIC SET, REAR FENDER			1		UR FOR BWS1
10	5FE-2151H-01	LABEL 5			1		ENGLISH
11	90267-32004	RIVET, BLIND			4		
12	90201-03008	WASHER, PLATE			4		
13	5YT-2816M-00	LABEL, WARNING TIRE & LOAD			1		ENGLISH
14	90267-32004	RIVET, BLIND			4		
15	90201-03008	WASHER, PLATE			4		
16	5YT-2173E-J0	GRAPHIC 1			1		UR FOR DPBSE
	5YT-2173E-K0	GRAPHIC 1			1		UR FOR BWS1
17	5YT-2173F-J0	GRAPHIC 2			1		UR FOR DPBSE
	5YT-2173F-K0	GRAPHIC 2			1		UR FOR BWS1



5YTW100-H460

FIG. 46 EMBLEM & LABEL 4

REF. NO.	PART NO.	DESCRIPTION	CAN	EUR	OCE	JPN	REMARKS
1	5YT-21570-60	GRAPHIC SET, FRONT FENDER				1	UR FOR DPBSE
2	4ES-2153E-01	EMBLEM, YAMAHA				2	UR FOR DPBSE
3	4D3-2816L-00	LABEL, WARNING AGE				1	ENGLISH
4	90267-32004	RIVET, BLIND				4	
5	90201-03008	WASHER, PLATE				4	
6	4SH-21697-00	LABEL, CAUTION 2				1	JAPANESE
7	5FE-21568-11	LABEL, WARNING				1	ENGLISH
8	90267-32004	RIVET, BLIND				6	
9	90201-03008	WASHER, PLATE				6	
10	4SH-21568-00	LABEL, WARNING				1	JAPANESE
11	5YT-2151E-50	LABEL 2				1	JAPANESE
12	5YT-2165B-C0	GRAPHIC SET, REAR FENDER				1	
13	5FE-2151H-01	LABEL 5				1	ENGLISH
14	4LB-2151H-02	LABEL 5				1	JAPANESE
15	90267-32004	RIVET, BLIND				4	
16	90201-03008	WASHER, PLATE				4	
17	5YT-2816M-00	LABEL, WARNING TIRE & LOAD				1	ENGLISH
18	5YT-2816M-20	LABEL, WARNING TIRE & LOAD				1	
19	90267-32004	RIVET, BLIND				4	
20	90201-03008	WASHER, PLATE				4	
21	5YT-2173E-J0	GRAPHIC 1				1	UR FOR DPBSE
22	5YT-2173F-J0	GRAPHIC 2				1	UR FOR DPBSE

NUMERICAL INDEX

PART NO.	REF. NO.	PART NO.	REF. NO.	PART NO.	REF. NO.	PART NO.	REF. NO.	PART NO.	REF. NO.	PART NO.	REF. NO.
5YT-11101-10	1 - 1	3Y1-12231-01	5 - 10	1UY-14468-00	7 - 8	3J2-16324-00	13 - 11	4GB-18531-00	15 - 6	5YT-2165B-B0	43 - 16
3Y1-1111F-00	1 - 24	1UY-12241-00	5 - 11	583-14561-00	8 - 13	168-16325-00	13 - 10	22U-18535-00	15 - 5		45 - 9
31G-11127-00	1 - 9	1UY-13161-01	6 - 18	5DM-14561-00	8 - 18	5Y1-16331-01	13 - 9	5YT-18540-00	15 - 1	5YT-2165B-C0	44 - 10
3Y1-11127-00	1 - 7	1UY-13300-00	6 - 1	1FN-14565-00	8 - 32	5YT-16340-00	13 - 23	3GH-18542-00	15 - 19		46 - 12
3Y1-11133-11	1 - 2	1UY-13324-00	6 - 21	1UY-14611-02	9 - 1	1UY-16351-00	13 - 12	5YT-21110-00	16 - 1	5YT-2165B-D0	43 - 16
31G-11161-00	1 - 8	1UY-13326-00	6 - 2	3GD-14613-00	9 - 17	1UY-16352-00	13 - 15	5YT-21110-10	16 - 1		45 - 9
5YT-11166-00	10 - 12	3GD-13329-00	6 - 6	5YT-14628-00	9 - 2	1UY-16356-00	13 - 31	5YT-2117G-00	16 - 24	5YT-2165B-E0	44 - 10
371-11167-01	10 - 3	51Y-13411-00	6 - 9	5YT-14708-01	9 - 11	1UY-16358-00	13 - 21	1UY-21315-20	16 - 2	5LP-21691-00	18 - 20
1UY-11181-01	1 - 10	2XK-13416-00	6 - 8	5YT-14710-00	9 - 6	1UY-16371-02	13 - 8	1UY-21316-20	16 - 3	5NF-21696-M0	44 - 14
5NF-11185-00	1 - 17	1UY-13440-02	6 - 13	5TG-14752-00	9 - 12	1UY-16382-00	13 - 27	5YT-2144G-10	41 - 43	4SH-21697-00	46 - 6
2NL-11186-12	1 - 20	3GD-13447-00	6 - 14	4WM-14755-00	9 - 7	5Y1-16383-00	13 - 17	5YT-21471-00	16 - 15	5FK-21697-00	44 - 3
2NL-11187-11	1 - 21	5YT-13586-00	7 - 1	5YT-14787-00	9 - 14	3LD-16398-00	13 - 32	5YT-21513-00	17 - 9	5YT-21711-00	19 - 1
5YT-11310-00	2 - 1	5MP-14105-00	8 - 7	5YT-14788-00	9 - 16	1UY-17121-00	14 - 7	5YT-21514-00	17 - 12	5YT-21711-10	19 - 1
4KB-11351-00	2 - 7	5YT-1410A-00	8 - 24	5YT-14901-00	8 - 1	1UY-17123-00	14 - 22	5YT-2151E-30	43 - 11	5YT-21721-00	19 - 2
1UY-11400-00	3 - 1	5YT-14112-00	8 - 5	5YT-14901-10	8 - 1	1UY-17131-00	14 - 5	5YT-2151E-40	43 - 12	5YT-21721-10	19 - 2
1UY-11422-00	3 - 3	5YT-14123-00	8 - 14	5YT-1490H-00	8 - 40	1UY-17151-00	14 - 2	5YT-2151E-50	46 - 11	5YT-2173E-J0	43 - 25
1UY-11454-00	3 - 27	137-14133-00	8 - 46	5YT-1490J-00	8 - 2	1UY-17161-01	14 - 6	5FK-2151H-00	44 - 11		44 - 17
30X-11496-00	3 - 12	80N-14139-00	8 - 42	5YT-1490J-10	8 - 2	1UY-17211-00	14 - 19	5FE-2151H-01	43 - 17		45 - 16
3Y1-11531-02	3 - 15	5YT-14141-40	8 - 19	5GH-14918-00	8 - 11	5YT-17221-00	14 - 12		45 - 10		46 - 21
1UY-11536-01	3 - 26	4KM-14142-22	8 - 39	5KM-14937-00	8 - 38	1UY-17223-02	14 - 27		46 - 13	5YT-2173E-K0	43 - 25
30X-11565-00	3 - 16	354-14147-00	8 - 47	8FA-14940-00	8 - 4	1UY-17231-01	14 - 17	4LB-2151H-02	46 - 14		44 - 17
4GB-11610-00	3 - 23	3H1-14147-00	8 - 9	3H1-14962-00	8 - 8	1UY-17241-00	14 - 16	4WU-2151H-10	43 - 18		45 - 16
4GB-11610-20	3 - 23	5LP-14147-00	8 - 28	5FU-14962-00	8 - 15	1UY-17243-00	14 - 48	4ES-2153E-01	43 - 2	5YT-2173F-J0	43 - 26
4GB-11610-40	3 - 23	3GD-14155-00	8 - 41	5DM-14985-00	8 - 33	1UY-17251-00	14 - 18		44 - 2		44 - 18
5UH-11631-00-C0	3 - 22	522-14161-00	8 - 30	28V-14988-00	8 - 45	1UY-17253-00	14 - 31		45 - 2		45 - 17
55V-11633-00	3 - 24	127-14186-00	8 - 16	3GD-15100-03	10 - 1	5YT-17261-00	14 - 15		46 - 2		46 - 22
5UH-11636-00	3 - 22	5YT-14190-25	8 - 17	30X-15351-00	6 - 11	1UY-17285-00	14 - 34	4ES-2153E-20	43 - 2	5YT-2173F-K0	43 - 26
5UH-11638-00	3 - 22	5LW-14191-00	8 - 26	1UY-15362-01	11 - 20	1UY-17401-01	14 - 1		44 - 2		44 - 18
1UY-11651-00	3 - 9	24W-14193-00	8 - 48	3R4-15381-00	10 - 4	1UY-17421-02	14 - 11		45 - 2		45 - 17
30X-11681-00	3 - 7	5YT-14193-00	8 - 22	1UY-15383-00	10 - 6	1UY-17431-00	14 - 47	5TG-21541-00	24 - 13	5FK-2175C-00	43 - 1
1UY-12111-01	4 - 1	5YT-14194-00	8 - 6	3GD-15411-00	11 - 26	1UY-17432-01	14 - 26	5YT-21562-00	17 - 15		44 - 1
1UY-12113-01	4 - 4	5YT-14197-00	8 - 34	1UY-15421-00	11 - 13	1UY-17523-00	14 - 30	4SH-21568-00	46 - 10		45 - 1
1UY-12114-01	4 - 5	5YT-14197-10	8 - 44	3GD-15431-10	11 - 19	1UY-17582-00	14 - 35	5FK-21568-00	44 - 6	5YT-2210J-00	20 - 13
3Y1-12116-00	4 - 3	5YT-14197-20	8 - 43	5YT-15441-10	10 - 14	1UY-18101-01	15 - 8	5FE-21568-01	43 - 7	5YT-2210K-00	20 - 21
3Y1-12117-01	4 - 7	4KM-14216-00	8 - 20	3GD-15451-00	11 - 1	5YT-18110-10	15 - 27	4WU-21568-10	43 - 8	3GD-22110-30	20 - 1
1J7-12118-00	4 - 8	3G2-14231-14	8 - 25	3GD-15461-00	11 - 17	1UY-18112-10	15 - 33	5FE-21568-11	45 - 6	2K6-22128-01	20 - 5
1UY-12121-01	4 - 2	1HX-14231-33	8 - 21	1UY-15512-00	12 - 1	5YT-18113-00	15 - 28		46 - 7	5YT-22129-00	20 - 16
M01-12129-00	4 - 6	3G2-1423A-79	8 - 10	1UY-15517-01	12 - 6	1JN-18115-10	15 - 34	5YT-21570-60	43 - 1	1UY-22141-10	20 - 10
3GD-12151-11	4 - 9	5YT-14261-00	8 - 12	1UY-15521-02	12 - 3	4G0-18127-00	15 - 16		44 - 1	2GU-22151-00	20 - 3
4SH-12156-00	4 - 11	5YT-14411-00	7 - 5	1UY-15590-01	12 - 9	1UY-18140-00	15 - 13		45 - 1	3TB-22178-00	16 - 11
31G-12158-00	4 - 14	5YT-14412-01	7 - 10	21V-15719-00	11 - 6	2H9-18154-00	15 - 29		46 - 1	3GD-22184-00	20 - 7
31G-12159-02	4 - 13	5YT-1442F-00	7 - 16	3GD-15777-10	12 - 11	4SH-18198-00	30 - 26	5YT-21613-10	18 - 10	4V4-22184-00	16 - 12
5UH-12170-10	5 - 1	5GH-14436-00	7 - 6	3GD-15787-03	11 - 3	1UY-18311-00	15 - 20	5YT-21614-10	18 - 11	38W-22199-00	20 - 8
5YT-12176-00	5 - 3	1UY-14451-00	7 - 9	1UY-16111-10	13 - 1	3GD-18420-00	15 - 18	5LP-21621-00	18 - 13	5YT-2219X-00	20 - 30
31G-12210-01	5 - 12	4FU-14452-00	7 - 11	2NL-16150-00	13 - 6	1YW-18511-00	15 - 2	5YT-2164F-10	18 - 14	5YT-22210-A0	21 - 1
3GD-12213-00	5 - 15	5YT-14453-00	7 - 14	30X-16154-00	13 - 7	4GB-18512-00	15 - 3	5YT-2164G-10	18 - 21	5YT-22210-B0	21 - 1
31G-12214-00	5 - 14	59V-14457-00	7 - 12	1UY-16181-00	13 - 34	1UY-18513-00	15 - 4	5YT-2164H-10	18 - 15	5YT-22210-C0	21 - 1
31G-12222-00	5 - 13	1UY-14458-01	7 - 7	31A-16321-01	13 - 16	2A6-18531-00	15 - 21	5YT-2164J-10	18 - 22	4AA-22259-40	21 - 2



NUMERICAL INDEX

PART NO.	REF. NO.	PART NO.	REF. NO.	PART NO.	REF. NO.	PART NO.	REF. NO.	PART NO.	REF. NO.	PART NO.	REF. NO.
4AA-22259-50	21 - 2	5YT-2514A-00	27 - 18	1UY-25972-51	29 - 7	5YT-2845R-70	34 - 3	5LP-83922-00	31 - 8	5YT-W215E-01	17 - 1
4AA-22259-70	21 - 2	5LP-25180-20	26 - 1	5YT-25977-50	29 - 12	5YT-2845R-80	34 - 3	5TG-83923-00	40 - 14	5YT-W215E-11	17 - 1
5YT-23350-30	23 - 34	5YT-25311-00	28 - 1	5YT-26111-10	30 - 1	1UY-81175-01	11 - 28	437-83936-01	41 - 36	5YT-W216B-00	18 - 1
5YT-23391-40	17 - 7	5YT-25317-00	28 - 2	5YT-26124-20	30 - 21	5NF-81410-00	35 - 2	5GH-83941-00	40 - 19	5YT-W216B-10	18 - 1
3GD-23501-10	23 - 17	5YT-25381-10	28 - 28	1NV-26129-00	30 - 16	5NF-81450-01	35 - 1	3L4-83943-00	40 - 21	5YT-W216C-01	18 - 1
3GD-23502-10	23 - 26	1S3-25383-20	28 - 17	5YT-26150-20	30 - 25	5YT-81815-00	36 - 10	5LP-83973-01	40 - 18	5YT-W216C-11	18 - 1
5YT-23517-00	23 - 4	5YT-25386-00	28 - 24	1UY-26153-00	30 - 33	1UY-81818-50	36 - 3	5LP-83980-00	31 - 10	5YT-W216E-00	18 - 1
	23 - 9	3GD-25388-00	28 - 11	1UY-26157-00	30 - 36	1UY-81820-51	36 - 2	5TG-84110-03	37 - 2	5YT-W216E-10	18 - 1
	23 - 14	5LP-25390-20	28 - 14	3GD-26166-10	30 - 31	3GD-81826-00	36 - 5	5TG-84140-01	37 - 4	90101-08006	28 - 12
	23 - 23	5TG-25438-10	28 - 25	5LP-26241-00	30 - 2	8L6-81840-50	36 - 4	5TG-84165-01	37 - 3	90101-10016	5 - 5
3GD-23540-10	23 - 11	5D3-25689-00	40 - 12	4KB-26250-20	30 - 6	4H7-81843-50	36 - 9	5TG-84166-01	37 - 8	90101-10017	3 - 17
3GD-23550-10	23 - 20	5YT-25712-00	29 - 1	4KB-26256-00	30 - 10	4H7-81844-50	36 - 8	5TG-84310-03	37 - 7	90101-10029	28 - 8
3GD-23570-10	23 - 1	5TG-25726-00	40 - 13	4KB-26258-00	30 - 12	1UY-81847-50	36 - 7	4KB-84314-01	37 - 1	90101-12012	21 - 3
3GD-23580-10	23 - 6	5TG-25727-00	40 - 11	1UY-26259-00	31 - 12	8L6-81847-50	36 - 6		37 - 6	90101-12032	28 - 5
1UY-23812-00	22 - 11	5LP-2580T-00	27 - 3	1NV-2625G-01	30 - 8	1UY-81890-00	36 - 1	5TG-84340-01	37 - 9	90105-08161	27 - 17
5YT-23813-20	22 - 1	5LP-2580U-00	27 - 10	4KB-2628F-20	30 - 7	1D0-81940-02	41 - 31	5LP-84700-00	38 - 1	90105-08182	29 - 14
8K1-23814-00	22 - 9	5YT-2580W-00	29 - 4	4KB-2628G-00	30 - 15	3GD-81950-01	41 - 24		39 - 1	90105-10131	23 - 35
3GD-23831-00	22 - 2	3GD-25827-00	27 - 8	1NV-26304-00	30 - 14	5GT-81960-00	41 - 20	256-84714-60	38 - 2	90105-10135	23 - 29
1UY-23841-01	22 - 3	3GD-25828-00	27 - 15	5YT-26311-10	30 - 23	5VY-82100-00	41 - 15		39 - 2	90105-10136	1 - 14
1UY-23845-01	22 - 4	47X-2582A-50	33 - 3	4KB-2632G-00	30 - 9	5YT-82115-00	41 - 33	4TR-84723-00	38 - 3	90105-10137	1 - 13
5YT-23868-00	22 - 13	3GD-2582T-10	27 - 1	5YT-26331-00	30 - 24	5YT-82116-00	41 - 19		39 - 3	90105-10185	16 - 9
2GU-23872-00	16 - 20	5TG-2582W-00	29 - 2	5YT-26335-10	30 - 4	371-82121-00	41 - 17	4TR-84733-00	38 - 4	90105-10211	16 - 7
1UY-23894-01	22 - 15	5MV-25833-00	31 - 7	5YT-26341-01	30 - 5	5YT-82128-00	41 - 16		39 - 4	90105-10277	16 - 8
5YT-24110-00	24 - 1	5LP-2583T-01	31 - 1	1UY-26372-00	30 - 34	5YT-82129-00	41 - 18	5YT-84751-00	38 - 10	90105-12050	20 - 19
5YT-24110-10	24 - 1	5YT-2583V-00	33 - 1	31A-26372-00	30 - 3	3TJ-82131-00	16 - 27	2EK-85111-00	42 - 4		21 - 8
8AC-2414B-01	17 - 17	5LP-25852-01	31 - 4	1NV-26398-00	30 - 17	36Y-82151-00	41 - 32	5YT-85112-10	42 - 1	90105-12061	20 - 26
5YT-2414H-00	24 - 21	3XP-25852-50	33 - 14	371-27114-00	25 - 3	3KJ-82310-10	41 - 9	449-85131-02	42 - 8		20 - 28
3ME-2415E-01	44 - 9	2VN-25854-00	33 - 15	5YT-27211-10	32 - 4	1UY-82370-20	41 - 13	5YT-8553A-00	41 - 2	90105-14003	15 - 25
4SH-2416E-00	43 - 13	4L0-25854-00	31 - 3	4SS-27218-00	33 - 8	5YT-82507-00	41 - 40	5YT-85540-00	41 - 6	90109-06172	17 - 2
5YT-24311-00	24 - 10	2VN-25855-00	33 - 16	2YK-27222-00	33 - 9	3GD-82509-10	41 - 30	5LP-W0041-00	31 - 2	90109-06189	15 - 15
5YT-24311-10	24 - 10	2GU-25866-00	31 - 16	5YT-27411-10	32 - 1	5LP-82510-00	41 - 25	5FK-W0042-50	33 - 2	90109-06240	33 - 25
5YT-24423-00	8 - 3	5LP-25867-00	31 - 6	5YT-27421-10	32 - 3	5NF-82530-00	41 - 41	5LP-W0045-00	27 - 7	90109-06723	41 - 10
21V-24500-11	24 - 4	5YT-25871-10	31 - 15	2XK-28100-00	16 - 26	4KD-82540-00	41 - 39		27 - 14	90109-06798	40 - 4
4X8-24512-00	24 - 7	5YT-25872-10	31 - 13	1NV-2811A-01	16 - 28	3GB-82540-01	41 - 7	5LP-W0046-50	29 - 8	90109-08082	27 - 2
3AC-24523-00	24 - 8	5YT-25873-10	31 - 14	4D3-2816L-00	43 - 3	3GD-82540-11	41 - 14	3GD-W0047-00	27 - 5	90109-08100	16 - 16
5YT-24524-00	24 - 19	5YT-25874-10	33 - 22		45 - 3	5YT-82541-00	41 - 29		27 - 12		16 - 25
3AJ-24534-01	24 - 5	5YT-25876-10	33 - 28		46 - 3	3HN-82569-00	41 - 26	5LP-W0047-50	29 - 6		34 - 2
5KM-24610-00	24 - 12	5VM-25886-10	23 - 32	4D3-2816L-10	43 - 4	3HN-82579-00	41 - 27	1UY-W0048-50	27 - 6	90109-081F0	29 - 3
5YT-24665-00	24 - 14	5YT-25888-00	33 - 24	5YT-2816M-00	43 - 21	5YT-82590-00	41 - 28		27 - 13	90109-10013	28 - 26
5YT-24710-01	25 - 1	4EW-25894-00	33 - 13		45 - 13	5YT-82910-10	40 - 1		29 - 9	90110-05201	17 - 8
214-24724-00	25 - 7	5YT-25895-00	33 - 10		46 - 17	5YT-82911-10	40 - 2	3GD-W0057-00	27 - 4	90110-06134	9 - 15
509-24724-00	25 - 4	5MV-2589F-00	31 - 11	5YT-2816M-10	43 - 22	4V4-82913-00	30 - 18		27 - 11	90110-06189	6 - 17
5YT-24731-00	25 - 2	4NK-2589H-00	31 - 5	5YT-2816M-20	46 - 18	5TG-82913-00	40 - 6	5LP-W0057-50	29 - 5	90113-06055	28 - 30
22W-24741-00	16 - 23	1UY-25917-51	29 - 11	4D3-2817J-00	43 - 14	5KM-82917-00	40 - 8	1UY-W1141-00	3 - 2	90114-10006	26 - 5
5YT-24776-10	25 - 5	1UY-25924-51	29 - 10	4D3-2817J-10	43 - 15	5GH-83516-00	41 - 5	5YT-W215B-00	17 - 1	90114-10013	28 - 18
3GD-25111-20	26 - 4	3GD-25933-00	27 - 9	5GT-2836B-10	30 - 22	5YT-83530-00	41 - 4	5YT-W215B-10	17 - 1	90116-06041	1 - 6
1UY-25117-00	26 - 6		27 - 16	5YT-2845N-00	34 - 1	1UY-83909-00	40 - 20	5YT-W215C-02	17 - 1	90119-05062	42 - 2
1S3-25127-00	26 - 17	1UY-25933-51	29 - 13	5YT-2845R-60	34 - 3	2HT-83912-00	40 - 3	5YT-W215C-12	17 - 1	90119-06152	17 - 6

NUMERICAL INDEX

PART NO.	REF. NO.	PART NO.	REF. NO.	PART NO.	REF. NO.	PART NO.	REF. NO.	PART NO.	REF. NO.	PART NO.	REF. NO.
90119-06152	18 - 2	90201-03008	43 - 6	90201-14586	26 - 14	90338-08226	7 - 20	90445-09M32	38 - 9	91401-16012	33 - 19
	18 - 3		43 - 10	90201-14691	15 - 11		41 - 1		39 - 10	91401-20020	22 - 8
90123-08046	40 - 9		43 - 20	90201-15018	15 - 31	90338-18122	16 - 21	90450-52003	7 - 4		22 - 19
90149-06108	24 - 9		43 - 24		32 - 5	90338-23172	16 - 22	90450-63004	7 - 17		22 - 22
90149-06306	17 - 3		44 - 5	90201-150U6	14 - 29	90340-14117	11 - 8	90460-75020	7 - 15		23 - 18
	18 - 4		44 - 8	90201-16018	20 - 11	90381-15088	23 - 2	90464-12089	41 - 45		23 - 27
	18 - 6		44 - 13	90201-17255	14 - 49		23 - 7	90464-13073	24 - 23		23 - 38
	18 - 8		44 - 16	90201-203E7	14 - 13		23 - 12		41 - 37	91401-30025	26 - 16
90149-08016	12 - 10		45 - 5	90201-207G6	3 - 30		23 - 21		41 - 48	91401-30030	28 - 23
90150-06010	19 - 4		45 - 8	90201-22793	14 - 36	90383-20032	20 - 14	90464-15157	41 - 46	91609-40016	30 - 35
90151-05023	11 - 7		45 - 12	90201-244A9	20 - 6		20 - 22	90464-15195	24 - 22	91A20-07010	8 - 49
90151-06010	6 - 5		45 - 15	90201-25291	12 - 7	90386-12093	13 - 33		41 - 42	92012-06014	40 - 15
90154-05013	18 - 16		46 - 5	90201-256E6	14 - 20	90387-06158	38 - 6	90464-30252	41 - 47		40 - 17
	18 - 23		46 - 9	90201-28665	14 - 32		39 - 6	90465-08045	11 - 25	92012-06025	11 - 27
90154-06014	27 - 19		46 - 16	90206-12001	4 - 10	90387-062E0	18 - 18	90465-10098	41 - 38	92012-08020	30 - 38
90154-06061	18 - 17		46 - 20	90209-18208	14 - 3		18 - 25	90465-18147	41 - 49	92012-08030	33 - 23
	18 - 24	90201-05015	9 - 4	90209-33253	3 - 10	90387-063W7	30 - 28	90467-10038	24 - 11	92502-06030	35 - 3
90159-06029	13 - 14		9 - 9	90215-06162	1 - 26	90387-066J1	24 - 17	90467-11044	33 - 11	92902-04100	8 - 36
90170-06023	30 - 30	90201-06036	30 - 40	90215-08260	15 - 17	90387-07021	24 - 15	90467-140A4	10 - 13	92902-05100	42 - 6
90170-06228	15 - 35	90201-06078	37 - 12	90215-16156	13 - 3	90387-07598	37 - 11	90467-140A6	33 - 12		42 - 10
90170-10010	22 - 6		39 - 8	90215-16222	13 - 4	90387-084N8	20 - 33	90467-220A1	7 - 13	92902-05200	42 - 5
90170-16326	3 - 32	90201-06085	11 - 15	90215-16258	13 - 18	90387-090R0	22 - 16	90468-15139	41 - 50		42 - 9
	13 - 19	90201-06089	17 - 11	90215-16270	3 - 33	90387-101R3	23 - 3	90480-01400	24 - 2	92902-05600	30 - 20
90170-16343	13 - 5		17 - 14	90215-21239	14 - 43		23 - 8	90480-14102	37 - 5	92902-06100	35 - 4
90170-33010	28 - 29	90201-063F3	20 - 18	90240-07105	3 - 4		23 - 13		37 - 10		41 - 12
90171-10001	22 - 7		23 - 16	90240-08005	33 - 17		23 - 22	90480-14555	38 - 7	92902-06200	9 - 5
	22 - 21		23 - 25	90267-32004	43 - 5	90387-12020	21 - 10		39 - 7		9 - 10
	23 - 19	90201-08048	9 - 20		43 - 9	90387-12021	20 - 24	90480-15005	7 - 19	92902-06600	5 - 18
	23 - 28		18 - 29		43 - 19	90387-125N8	20 - 15	90480-18290	24 - 3		35 - 5
	23 - 37	90201-08054	16 - 13		43 - 23	90387-127G8	21 - 7	90501-07629	3 - 5		41 - 22
90171-14002	26 - 15		20 - 32		44 - 4	90387-150R1	26 - 13	90501-10353	15 - 24	92902-10100	3 - 18
90171-14004	28 - 22	90201-08066	33 - 18		44 - 7	90387-16547	2 - 3	90501-18576	6 - 10	92902-10200	26 - 12
90179-06668	9 - 18	90201-08070	13 - 28		44 - 12	90387-176R6	22 - 20	90501-22721	3 - 13		28 - 20
90179-08148	40 - 10	90201-10036	22 - 17		44 - 15	90387-257N4	14 - 46	90501-231E9	13 - 13	92906-04100	33 - 6
90179-10024	28 - 10	90201-10037	23 - 30		45 - 4	90401-06001	1 - 4	90506-20026	32 - 8	92906-04600	33 - 7
90179-12009	28 - 7	90201-10052	28 - 9		45 - 7	90401-08004	6 - 20	90508-16022	13 - 26	92907-04600	8 - 37
90179-20255	14 - 44	90201-10058	3 - 20		45 - 11	90401-10015	31 - 18	90508-23567	25 - 6	92907-05100	40 - 23
90183-05008	17 - 5	90201-10118	31 - 19		45 - 14		33 - 20	90508-25712	15 - 14	93101-25106	3 - 28
90183-06069	19 - 5		33 - 21		46 - 4		33 - 26	90508-32711	15 - 9	93102-12224	13 - 30
90183-061A1	41 - 23		33 - 27		46 - 8	90430-06014	10 - 11	90508-35764	30 - 27	93102-14209	15 - 10
90185-08017	16 - 5	90201-10128	1 - 15		46 - 15		11 - 12	90560-14284	15 - 12	93102-15212	15 - 22
90185-10011	16 - 10	90201-10591	5 - 6		46 - 19		11 - 24	90793-26114	41 - 15	93102-22216	26 - 10
	28 - 27	90201-12032	21 - 5	90269-07076	19 - 3	90430-06192	1 - 5	91312-06020	1 - 23	93102-25081	16 - 18
90185-10012	23 - 31	90201-12033	21 - 4	90280-05013	6 - 22	90430-08119	6 - 19		6 - 16	93102-25099	16 - 19
	23 - 36	90201-12045	28 - 6	90280-05048	3 - 21	90430-10148	41 - 8	91312-06025	1 - 19	93102-28476	11 - 5
90185-10019	22 - 18	90201-12163	13 - 24	90282-05034	3 - 31	90430-14194	15 - 26	91312-06030	2 - 6	93102-35393	14 - 45
90185-12007	21 - 6	90201-123K4	12 - 4	90282-07057	13 - 2	90430-14240	1 - 12	91312-08025	7 - 3	93104-09025	30 - 13
90185-16002	20 - 12	90201-14021	28 - 21	90338-07007	40 - 16	90445-084J1	24 - 20	91312-08050	1 - 16	93104-17094	14 - 9

NUMERICAL INDEX

PART NO.	REF. NO.	PART NO.	REF. NO.	PART NO.	REF. NO.	PART NO.	REF. NO.	PART NO.	REF. NO.	PART NO.	REF. NO.
93104-20068	14 - 25	93410-20038	14 - 38	95302-06600	36 - 11	97002-05016	40 - 7				
93105-26026	26 - 9	93410-22039	14 - 4		38 - 8	97002-06012	1 - 25				
93106-46001	28 - 4		14 - 37		39 - 9	97002-06020	41 - 11				
93108-35004	20 - 4	93430-12008	15 - 32	95302-06700	15 - 36	97002-06025	41 - 21				
93109-08050	30 - 37		32 - 6	95302-08600	28 - 13	97002-08030	20 - 31				
93109-20076	20 - 23	93440-12052	1 - 3	95302-10700	22 - 5	97012-06020	15 - 37				
93112-31011	22 - 12	93440-25084	14 - 21	95317-06700	30 - 29	97022-06016	5 - 17				
93210-06422	13 - 22		14 - 50	95602-06100	40 - 5	97022-08060	22 - 14				
93210-07590	15 - 7	93440-28062	14 - 33	95602-06200	17 - 4	97702-60016	41 - 3				
93210-09165	4 - 12	93450-19095	3 - 25		18 - 5	97702-60025	7 - 18				
93210-14369	11 - 9	93503-08007	15 - 23		18 - 7	97706-40620	38 - 5				
93210-15414	15 - 30	93602-13177	3 - 6		18 - 9		39 - 5				
93210-15620	33 - 4	93603-07073	6 - 4		18 - 19	98501-04014	8 - 35				
93210-16290	3 - 19	93603-12030	6 - 3		18 - 26	98502-04008	30 - 32				
93210-17003	5 - 2	93604-10011	5 - 4	95602-08200	18 - 30	98502-05014	35 - 6				
93210-18322	2 - 4	93605-10090	3 - 14	95602-12200	20 - 20	98502-05020	30 - 19				
93210-19522	11 - 21	93700-06004	20 - 17		20 - 27	98502-06012	10 - 5				
93210-22164	14 - 41		20 - 25		20 - 29		11 - 29				
93210-35520	6 - 12		23 - 5		21 - 9	98506-04012	33 - 5				
93210-44545	7 - 2		23 - 10	95604-06100	31 - 9	98507-03008	24 - 6				
93210-54175	6 - 15		23 - 15	95607-05100	30 - 11	98507-04006	8 - 27				
93210-57634	1 - 22		23 - 24	95702-08500	20 - 34	98507-04008	8 - 31				
93210-86509	2 - 2	93834-13030	14 - 42	95702-10500	26 - 11	98507-04010	8 - 23				
93211-06635	1 - 18	93900-00022	26 - 3		28 - 19	98507-04012	8 - 29				
93306-00006	13 - 20		28 - 16	95802-06010	41 - 44	98507-05030	40 - 24				
93306-00308	14 - 52	94107-10020	26 - 2	95802-06020	33 - 29	98517-05012	40 - 22				
93306-00431	14 - 39	94110-09020	28 - 15	95802-06025	37 - 13	98702-06016	10 - 7				
93306-00438	5 - 7	94500-02090	5 - 9	95802-06030	24 - 16	98702-06030	6 - 7				
93306-00446	26 - 7	94581-87098	28 - 31		24 - 18	98902-06010	9 - 3				
93306-00502	5 - 8	94681-87011	28 - 32	95802-08040	20 - 9		9 - 8				
93306-00710	28 - 3	94701-00333	1 - 27	95802-08045	10 - 15	99001-07600	13 - 29				
93306-07801	11 - 4	94703-00333	1 - 27	95812-06014	17 - 10	99001-09600	13 - 25				
93306-20231	26 - 8	95022-06008	9 - 13		17 - 13	99009-12400	12 - 5				
93306-20301	14 - 10		41 - 34	95812-06035	30 - 39	99530-12016	10 - 2				
	14 - 51		41 - 35	95812-08012	16 - 4		11 - 2				
93306-20331	16 - 17	95022-06016	11 - 16	95812-08016	9 - 19		11 - 18				
93306-20401	14 - 23	95022-06020	11 - 14		34 - 4	99530-14016	1 - 11				
93306-20501	14 - 40	95022-06025	5 - 16	95812-08055	16 - 6		2 - 5				
93306-20532	3 - 29		11 - 10	95812-10025	32 - 2						
93306-27202	14 - 8	95022-06030	10 - 8		32 - 7						
93306-30424	14 - 24		11 - 22	95822-06010	17 - 16						
93306-30622	3 - 11		36 - 12	95822-06016	23 - 33						
93310-212L6	12 - 2	95022-06040	11 - 23	95822-06025	31 - 17						
93310-225N0	12 - 8	95022-06045	11 - 11	95822-08012	16 - 14						
93310-633T5	3 - 8	95022-06050	10 - 9		18 - 12						
93311-41587	14 - 28	95022-06060	10 - 10	95822-08020	18 - 27						
93317-22237	20 - 2	95302-05600	42 - 3	95822-08025	18 - 28						
93410-20038	14 - 14		42 - 7	95822-08030	22 - 10						