



PARTS CATALOGUE

YXZ1000ET (BAS5) EUROPE



1VBAS-300E1

()

2019/10/3

NEWS NO.	DATE	COMMENT
PE0-MC-190076	Aug.,27,2019	MOD:YXZ10(B5J*/BAS*) FIG.28 REAR SUSPENSION LIST REVISION

POWER PARTS
BY AXQUAD

YXZ1000ET
PARTS CATALOGUE
©2019 by Yamaha Motor Co., Ltd.
1st edition, July 2019
All rights reserved.
Any reprinting or unauthorized use
without the written permission of
Yamaha Motor Co., Ltd.
is expressly prohibited.
Printed in Japan.

FOREWORD

This Parts Catalogue is related to the parts for the model(s) on the cover page. When you are ordering replacement parts, please refer to this Parts Catalogue and quote both part numbers and part names correctly.

1. Modifications or additions which have been made after the issue of the Parts Catalogue will be announced in the Parts News.
It is advisable that you make the necessary corrections to the Parts Catalogue according to the Parts News.

2. Abbreviations

The following abbreviations are used in this Parts Catalogue.

“UR” Use specified parts number.

“UN” Use as many as needed.

“AP” Alternate Parts

“LM” Locally Made (Parts need to be ordered locally)

“F#” Frame No. (Applicable machine No.)

“O/S” Over Size

3. The number of components for assembly

- Parts, which are to be supplied in an assembly, are listed with a dot (.) in front of the part name as shown below.
- The numeral appearing to the right of each component part indicates the quantity of parts for each assembly unit.

PART NO.	DESCRIPTION	Q'TY	REMARKS
2F5-83310-60	FRONT FLASHER LIGHT ASSY	2	
115-83311-60	.BULB (6V-18W)	1	

4. Applicable colours of graphics are represented in the “REMARKS” as shown below.

PART NO.	DESCRIPTION	Q'TY	REMARKS
2N4-24110-00-X5	FUEL TANK COMP.	2	MXR
3J1-24240-10	.GRAPHIC, FUEL TANK	1	FOR MXR

5. Note that the illustrations for reference in finding parts numbers are not to be used for assembling. When assembling, please use the applicable service manual.

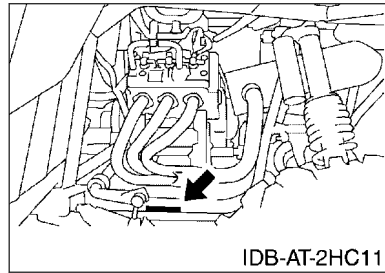
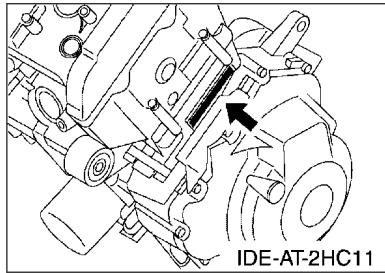
6. The asterisk (*) before a reference number indicates modified items after the first edition.

FOREWORD

7. Applicable Serial No.

Engine Serial No.

Frame Serial No.



8. Applicable Colour Code (The (*) mark shows Model colour.)

Abbreviation	Colour Name	Colour Code
DPBM19(*)	DEEP PURPLISH BLUE METALLIC 19	1645

9. Quantity Column Information

Column No.	Name Of Q'ty Column	Destination
1	BAS5	EUROPE

CONTENTS

ENGINE

CYLINDER.....	1
CRANKSHAFT & PISTON.....	3
VALVE.....	6
CAMSHAFT & CHAIN.....	8
WATER PUMP.....	9
RADIATOR & HOSE.....	11
OIL PUMP.....	13
INTAKE.....	15
THROTTLE BODY ASSY 1.....	17
EXHAUST.....	19
CRANKCASE.....	20
STARTER CLUTCH.....	22
CLUTCH.....	23
TRANSMISSION.....	25
TRANSFER.....	27
MIDDLE DRIVE GEAR.....	29
SHIFT CAM & FORK.....	31
SHIFT SHAFT.....	32

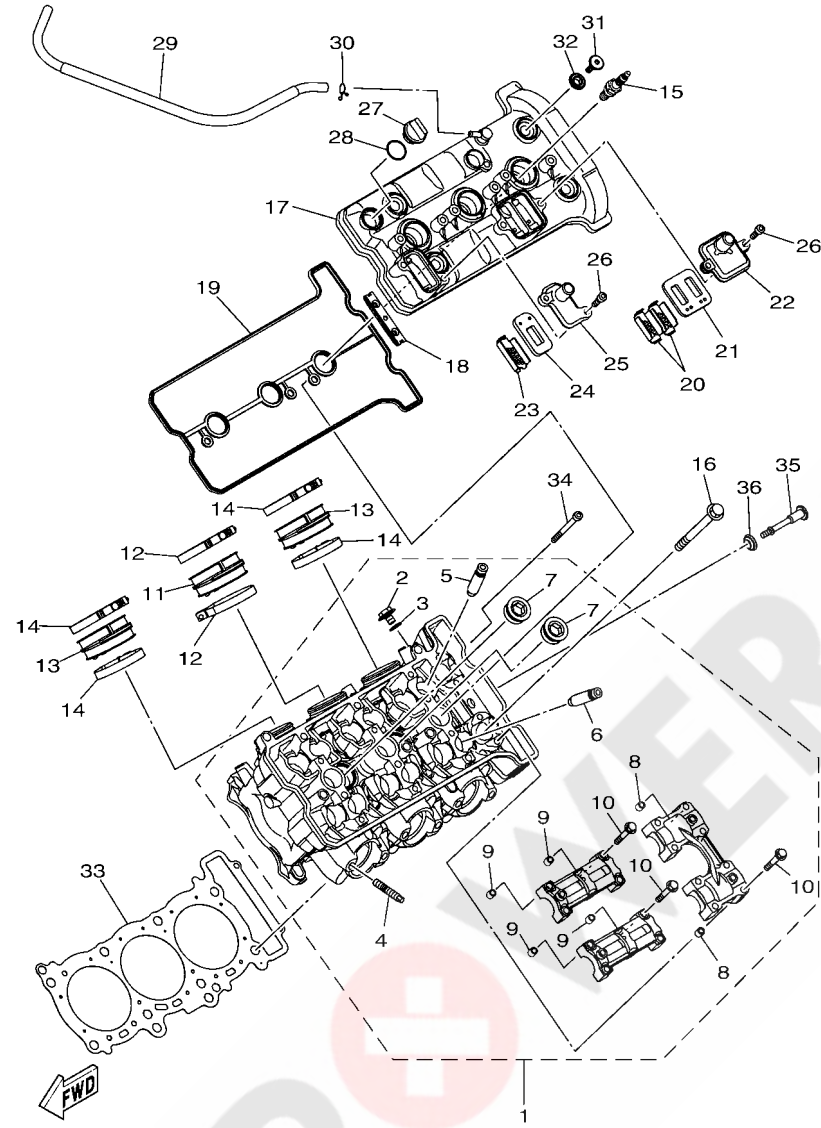
CHASSIS

FRAME.....	33
FRONT FENDER.....	34
SIDE COVER.....	36
SIDE COVER 2.....	37
SIDE COVER 3.....	38
OIL TANK.....	40
REAR ARM.....	41
DRIVE SHAFT.....	43
FRONT DIFFERENTIAL.....	45
REAR SUSPENSION.....	47
FRONT SUSPENSION & WHEEL.....	48
STEERING.....	50
STEERING 2.....	51
FUEL TANK.....	53
SEAT.....	56
SEAT 2.....	57
FRONT WHEEL.....	58
FRONT WHEEL 2.....	60
FRONT BRAKE CALIPER.....	62

REAR WHEEL.....	63
REAR WHEEL 2.....	65
REAR BRAKE CALIPER.....	67
REAR BRAKE CALIPER 2.....	68
PEDAL WIRE.....	70
MASTER CYLINDER.....	72
STAND & FOOTREST.....	74
CARRIER.....	75
CARRIER 2.....	76
CARRIER 3.....	77
GUARD.....	78
GUARD 2.....	79
GENERATOR.....	80
STARTING MOTOR.....	81
METER.....	82
HEADLIGHT.....	83
TAILLIGHT.....	84
ELECTRICAL 1.....	85
ELECTRICAL 2.....	87
ELECTRICAL 3.....	88
GRAPHICS.....	90
EMBLEM & LABEL 1.....	91

INDEX

NUMERICAL INDEX.....	92
----------------------	----



2HC1110-R010

FIG. 1 CYLINDER

REF. NO.	PART NO.	DESCRIPTION	BAS			REMARKS
1	2HC-11101-09	CYLINDER HEAD ASSY	1			
2	95022-08012	.BOLT, FLANGE	1			
3	90430-08119	.GASKET	1			
4	90116-08087	.BOLT, STUD	6			
5	2C0-11133-11	.GUIDE, VALVE 1	6			
6	8HF-11134-10	.GUIDE, VALVE 2	6			
7	90340-27129	.PLUG, STRAIGHT SCREW	2			
8	91808-16023	.PIN, DOWEL	2			
9	91808-16023	.PIN, DOWEL	4			
10	90105-06027	.BOLT, FLANGE	16			
11	8HF-13595-00	JOINT	1			
12	90450-60004	HOSE CLAMP ASSY	2			
13	8HF-13595-00	JOINT	2			
14	90450-60004	HOSE CLAMP ASSY	4			
15	94702-00409	PLUG, SPARK (NGK CR9EB)	3			
16	90119-10004	BOLT, WITH WASHER	8			
17	2HC-11191-00	COVER, CYLINDER HEAD 1	1			
18	5BE-12241-00	GUIDE, STOPPER 2	1			
19	2HC-11193-00	GASKET, HEAD COVER 1	1			
20	5VY-1482K-00	PLATE	2			
21	5SL-14890-00	REED VALVE ASSY	1			
22	5VY-14899-01	CAP, CASE	1			
23	5JW-1482K-01	PLATE	1			
24	5JW-14890-00	REED VALVE ASSY	1			
25	2HC-14889-00	CAP, CASE	1			
26	90110-06175	BOLT, HEXAGON SOCKET HEAD	4			
27	3Y1-15363-10	PLUG, OIL	1			

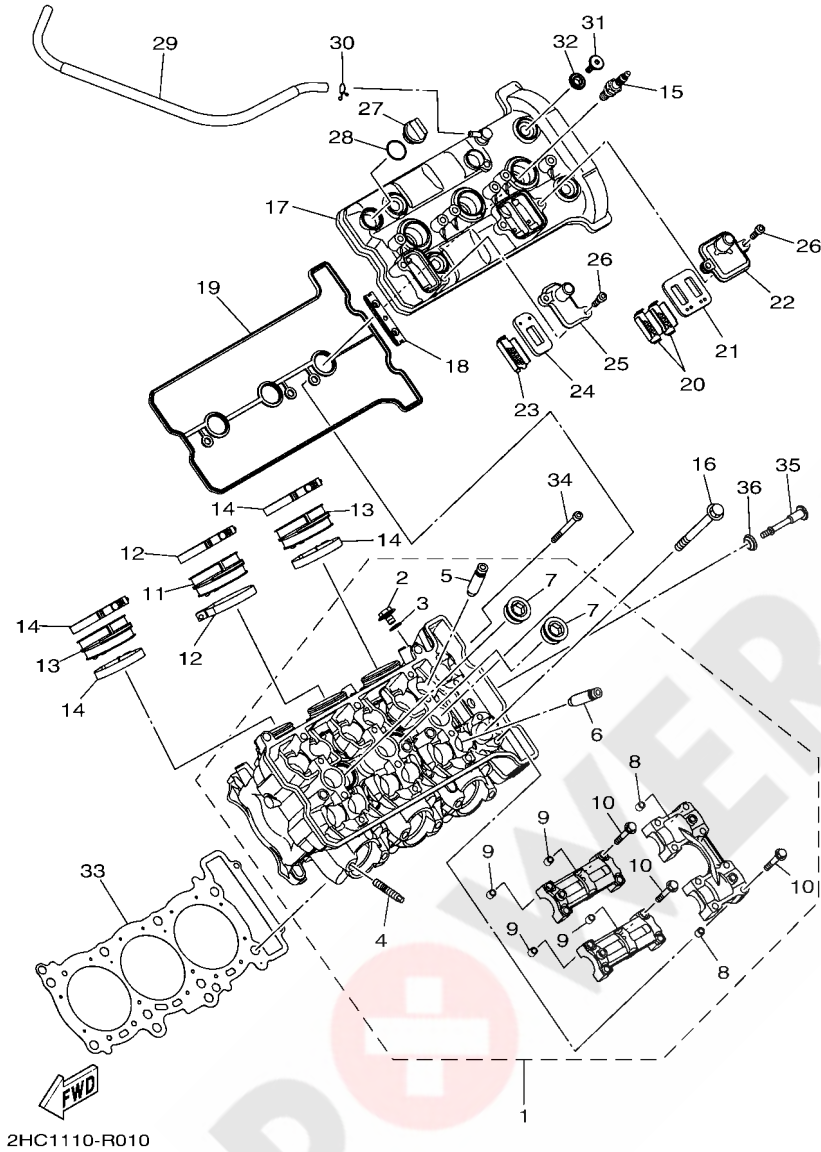
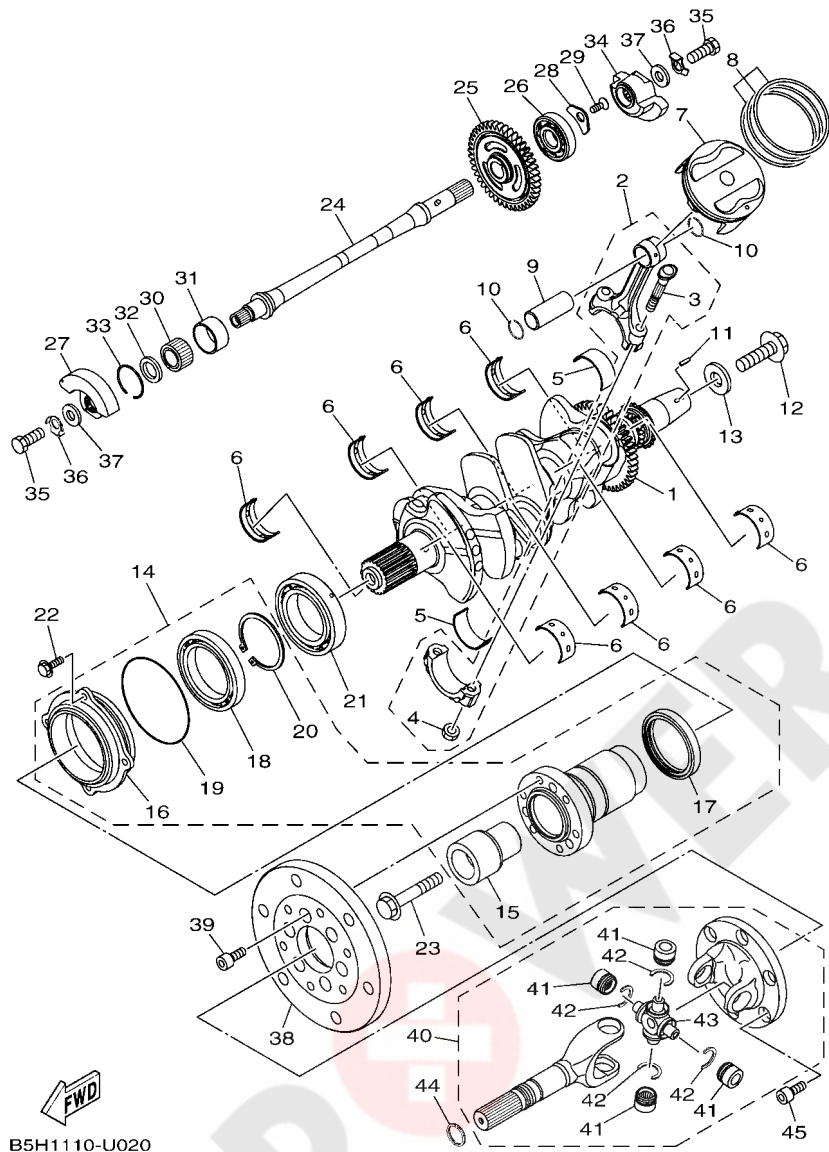


FIG. 1 CYLINDER

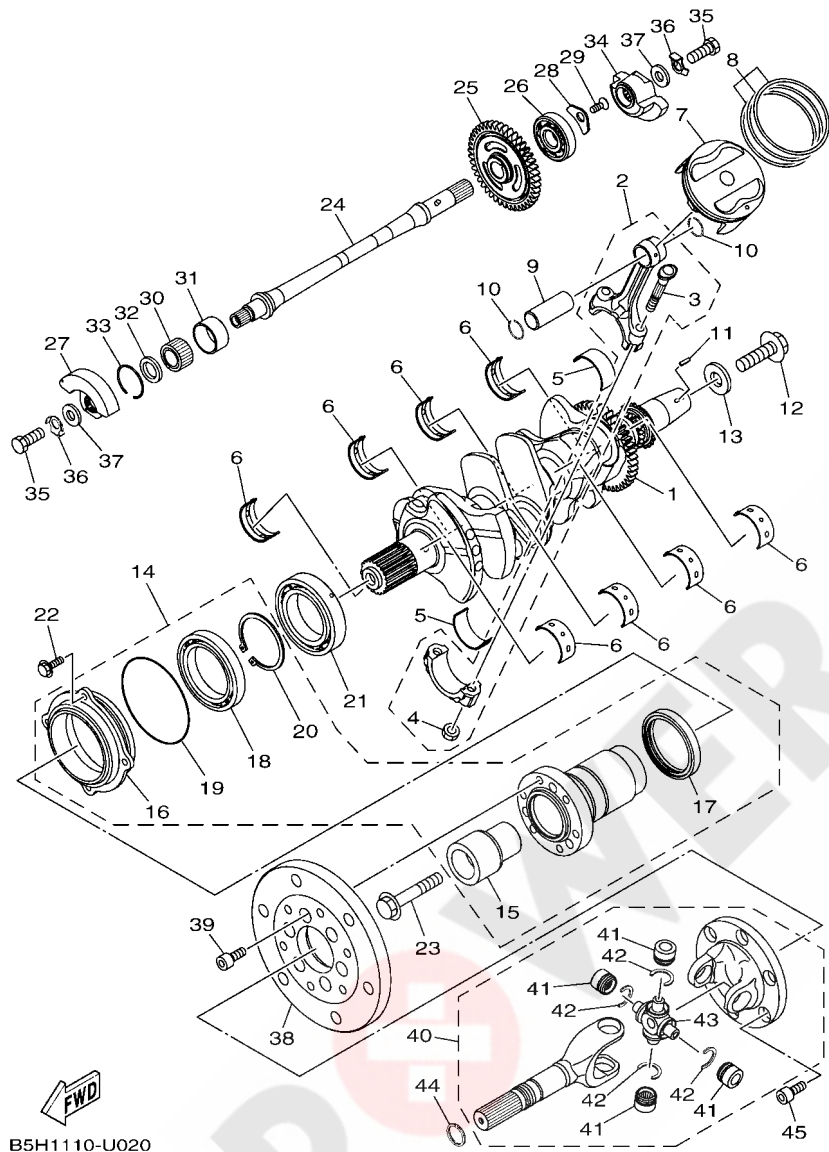
REF. NO.	PART NO.	DESCRIPTION	BAS	REMARKS
28	93210-19123	O-RING	1	
29	2HC-11166-00	PIPE, BREATHER 1	1	
30	90467-100A1	CLIP	1	
31	90109-066F0	BOLT	4	
32	5VY-1111G-00	RUBBER, MOUNT 1	4	
33	2HC-11181-00	GASKET, CYLINDER HEAD 1	1	
34	91312-06065	BOLT, HEXAGON SOCKET HEAD	2	
35	90109-06293	BOLT	1	
36	5VY-1111G-00	RUBBER, MOUNT 1	1	



B5H1110-U020

FIG. 2 CRANKSHAFT & PISTON

REF. NO.	PART NO.	DESCRIPTION	BAS	REMARKS
1	2HC-11400-00	CRANKSHAFT ASSY	1	
2	B0F-11650-00	CONNECTING ROD ASSY	3	
3	5JW-11654-00	.BOLT, CONNECTING ROD	2	
4	90179-08327	.NUT	2	
5	5JW-11656-00	PLANE BEARING, CONNECTING ROD	6	UR BLUE
5JW-11656-10	PLANE BEARING, CONNECTING ROD	6	UR BLACK	
5JW-11656-20	PLANE BEARING, CONNECTING ROD	6	UR BROWN	
5JW-11656-30	PLANE BEARING, CONNECTING ROD	6	UR GREEN	
5JW-11656-40	PLANE BEARING, CONNECTING ROD	6	UR YELLOW	
5JW-11656-50	PLANE BEARING, CONNECTING ROD	6	UR PINK	
6	3LD-11416-10	PLANE BEARING, CRANKSHAFT 1	8	UR BLACK
3LD-11416-20	PLANE BEARING, CRANKSHAFT 1	8	UR BROWN	
3LD-11416-30	PLANE BEARING, CRANKSHAFT 1	8	UR GREEN	
3LD-11416-40	PLANE BEARING, CRANKSHAFT 1	8	UR YELLOW	
3LD-11416-50	PLANE BEARING, CRANKSHAFT 1	8	UR PINK	
3LD-11416-60	PLANE BEARING, CRANKSHAFT 1	8	UR RED	
3LD-11416-70	PLANE BEARING, CRANKSHAFT 1	8	UR WHITE	
7	2HC-11631-00	PISTON (STD)	3	
8	2HC-11603-00	PISTON RING SET (STD)	3	
9	2HC-11633-00	PIN, PISTON	3	
10	93450-19095	CIRCLIP	6	
11	90280-03045	KEY, WOODRUFF	1	
12	90105-12032	BOLT, FLANGE	1	
13	90201-121H0	WASHER, PLATE	1	
14	2HC-11406-00	SHAFT ASSY	1	
15	2HC-11478-00	.COLLAR	1	
16	2HC-16775-00	.HOUSING, BEARING	1	



B5H1110-U020

FIG. 2 CRANKSHAFT & PISTON

REF. NO.	PART NO.	DESCRIPTION	BAS			REMARKS
17	93105-57007	.OIL SEAL	1			
18	93306-91102	.BEARING	1			
19	93210-84724	.O-RING	1			
20	99009-55400	.CIRCLIP	1			
21	93306-01005	BEARING	1			
22	95812-06020	BOLT, FLANGE	4			
23	90105-12099	BOLT, FLANGE	1			
24	2HC-11407-00	SHAFT ASSY., 2	1			
25	2HC-11530-00	BALANCER WEIGHT GEAR COMP.	1			
26	93306-30323	BEARING	1			
27	8ES-11454-00	WEIGHT 1	1			
28	4JT-15381-01	PLATE, BEARING COVER	1			
29	90151-06024	SCREW, COUNTERSUNK	1			
30	93310-42239	BEARING	1			
31	8ES-11428-01	BEARING 1	1			
32	8ES-11478-00	COLLAR	1			
33	93450-32152	CIRCLIP	1			
34	2HC-11464-00	WEIGHT 2	1			
35	97012-10025	BOLT	2			
36	90215-10003	WASHER, LOCK	2			
37	90201-10591	WASHER, PLATE	2			
38	2HC-11571-00	FLYWHEEL	1			
39	91312-08020	BOLT, HEXAGON SOCKET HEAD	6			
40	2HC-43804-00	YOKE ASSY	1			
41	93399-99948	.BEARING	4			
42	93440-20088	.CIRCLIP	4			
43	2HC-46187-00	.SPIDER	1			

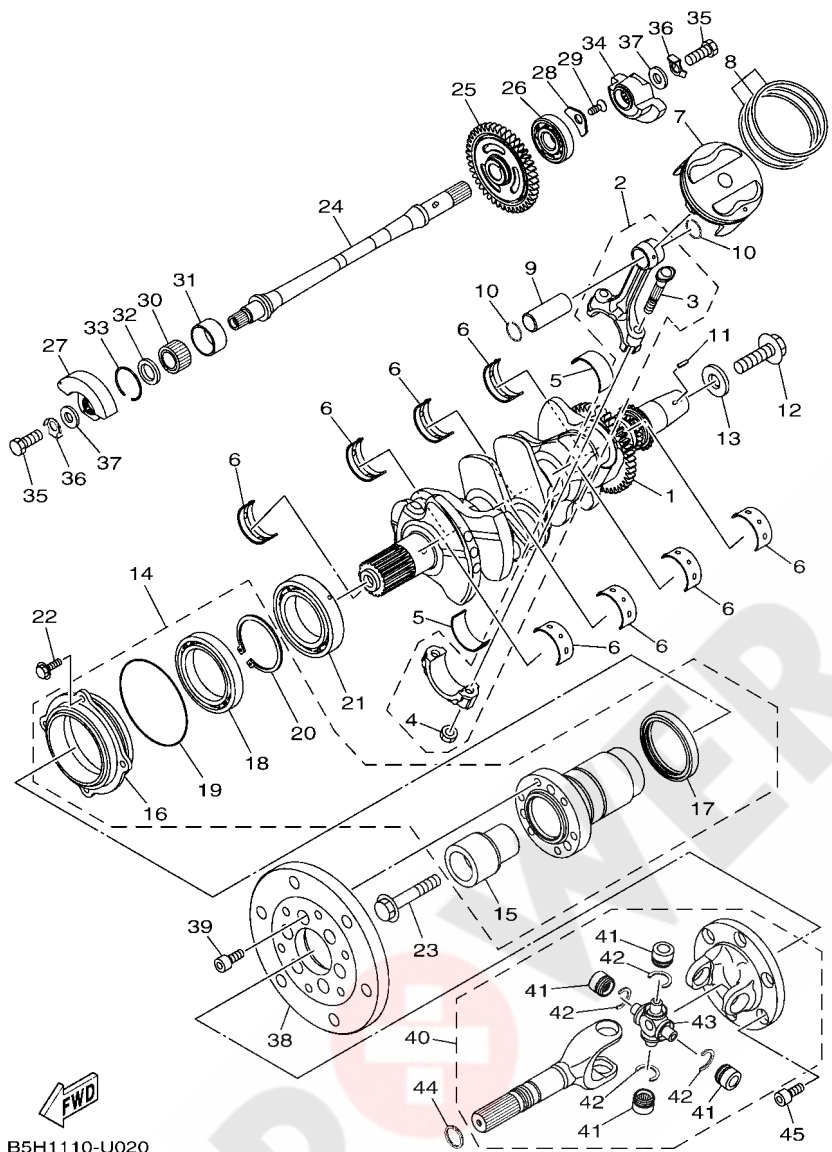
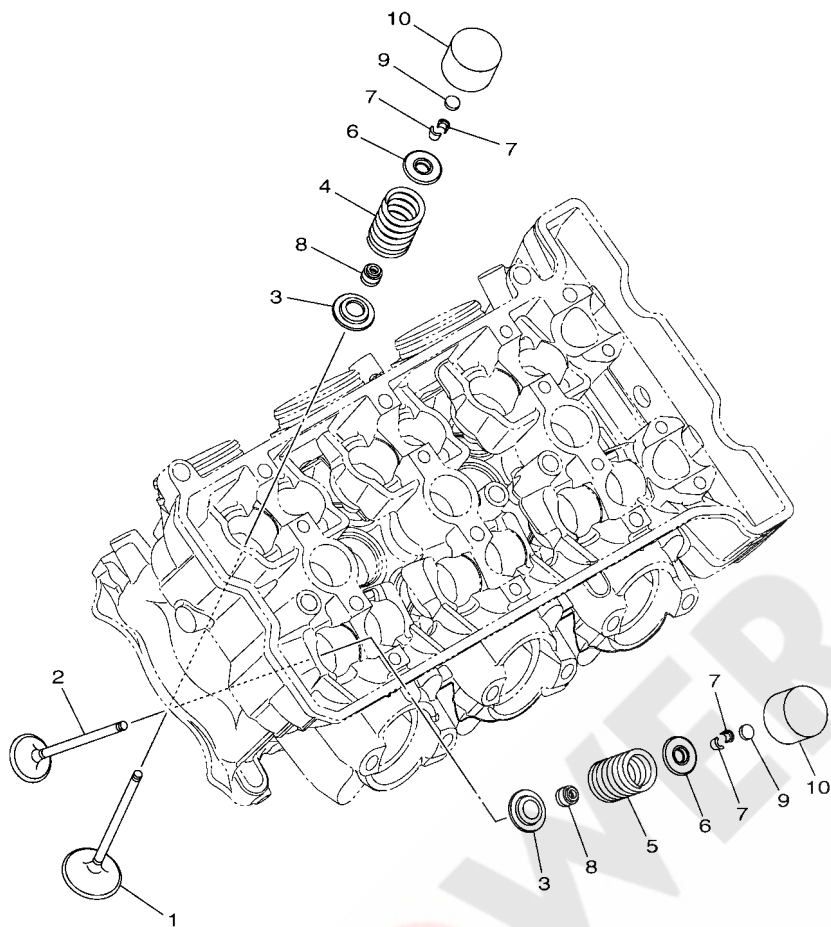


FIG. 2 CRANKSHAFT & PISTON

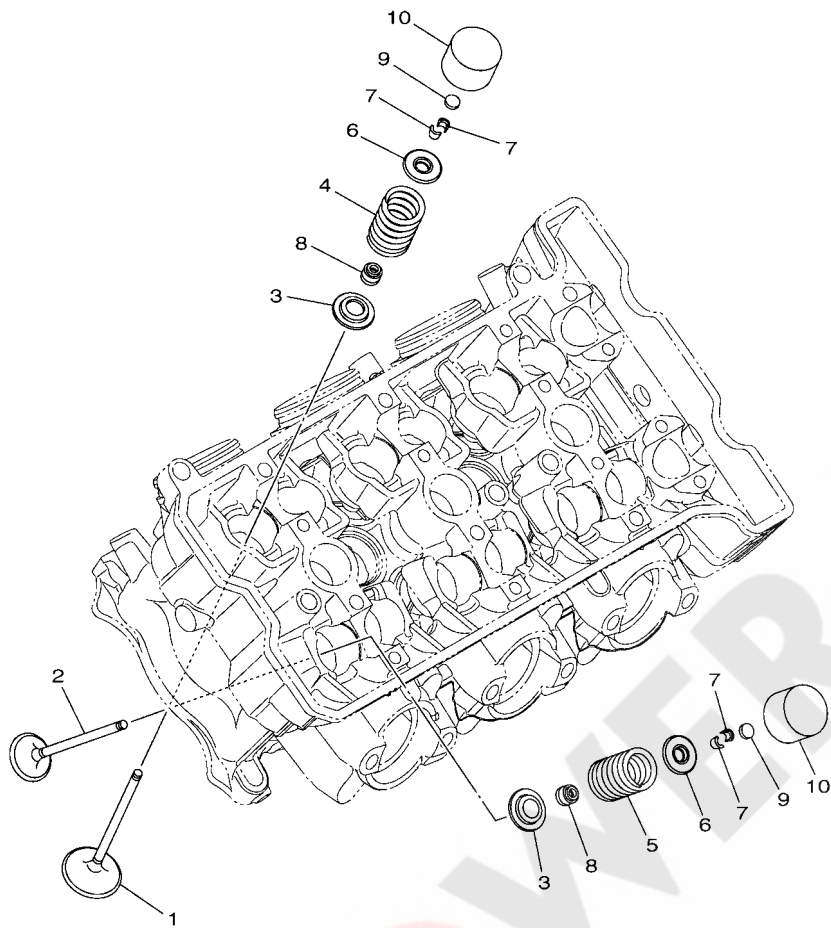
REF. NO.	PART NO.	DESCRIPTION	BAS				REMARKS
44	93210-192A6	O-RING	1				
45	91312-08020	BOLT, HEXAGON SOCKET HEAD	6				
<hr/>							
<hr/>							
<hr/>							
<hr/>							
<hr/>							
<hr/>							
<hr/>							
<hr/>							



2HC1110-R030

FIG. 3 VALVE

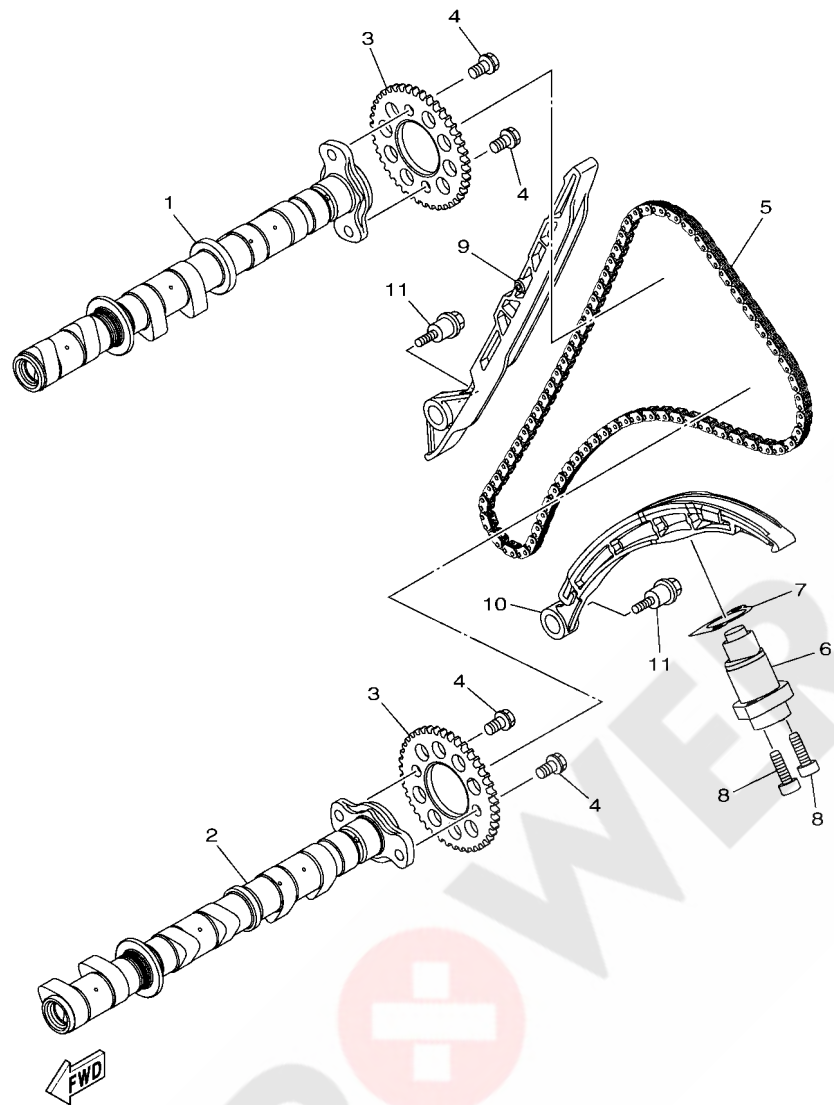
REF. NO.	PART NO.	DESCRIPTION	BAS5	REMARKS
1	8GL-12111-10	VALVE, INTAKE	6	
2	8GL-12121-10	VALVE, EXHAUST	6	
3	1RC-12116-00	SEAT, VALVE SPRING	12	
4	2HC-12113-00	SPRING, VALVE INNER	6	
5	2HC-12114-00	SPRING, VALVE OUTER	6	
6	3D7-12117-00	RETAINER, VALVE SPRING	12	
7	1WG-12118-00	LOCK, VALVE SPRING RETAINER	24	
8	2HC-12119-00	SEAL, VALVE STEM	12	
9	1HX-12168-00	PAD, ADJUSTING 2 (1.20)	12	UR
	1HX-12168-20	PAD, ADJUSTING 2 (1.25)	12	UR
	1HX-12168-40	PAD, ADJUSTING 2 (1.30)	12	UR
	1HX-12168-60	PAD, ADJUSTING 2 (1.35)	12	UR
	1HX-12168-80	PAD, ADJUSTING 2 (1.40)	12	UR
	1HX-12168-A0	PAD, ADJUSTING 2 (1.45)	12	UR
	1HX-12168-F0	PAD, ADJUSTING 2 (1.50)	12	UR
	1HX-12168-H1	PAD, ADJUSTING 2 (1.55)	12	UR
	1HX-12168-K1	PAD, ADJUSTING 2 (1.60)	12	UR
	1HX-12168-M1	PAD, ADJUSTING 2 (1.65)	12	UR
	1HX-12168-R1	PAD, ADJUSTING 2 (1.70)	12	UR
	1HX-12168-U1	PAD, ADJUSTING 2 (1.75)	12	UR
	1HX-12168-W1	PAD, ADJUSTING 2 (1.80)	12	UR
	1HX-12168-Y1	PAD, ADJUSTING 2 (1.85)	12	UR
	1HX-12169-11	PAD, ADJUSTING 2 (1.90)	12	UR
	1HX-12169-31	PAD, ADJUSTING 2 (1.95)	12	UR
	1HX-12169-50	PAD, ADJUSTING 2 (2.00)	12	UR
	1HX-12169-70	PAD, ADJUSTING 2 (2.05)	12	UR
	1HX-12169-90	PAD, ADJUSTING 2 (2.10)	12	UR




 2HC1110-R030

FIG. 3 VALVE

REF. NO.	PART NO.	DESCRIPTION	BAS5	REMARKS
9	1HX-12169-E0	PAD, ADJUSTING 2 (2.15)	12	UR
	1HX-12169-G0	PAD, ADJUSTING 2 (2.20)	12	UR
	1HX-12169-J0	PAD, ADJUSTING 2 (2.25)	12	UR
	1HX-12169-L0	PAD, ADJUSTING 2 (2.30)	12	UR
	1HX-12169-N0	PAD, ADJUSTING 2 (2.35)	12	UR
	1HX-12169-T0	PAD, ADJUSTING 2 (2.40)	12	UR
10	4C8-12153-10	LIFTER, VALVE	12	UR YELLOW
	4C8-12153-09	LIFTER, VALVE (O/S)	12	UR GREEN

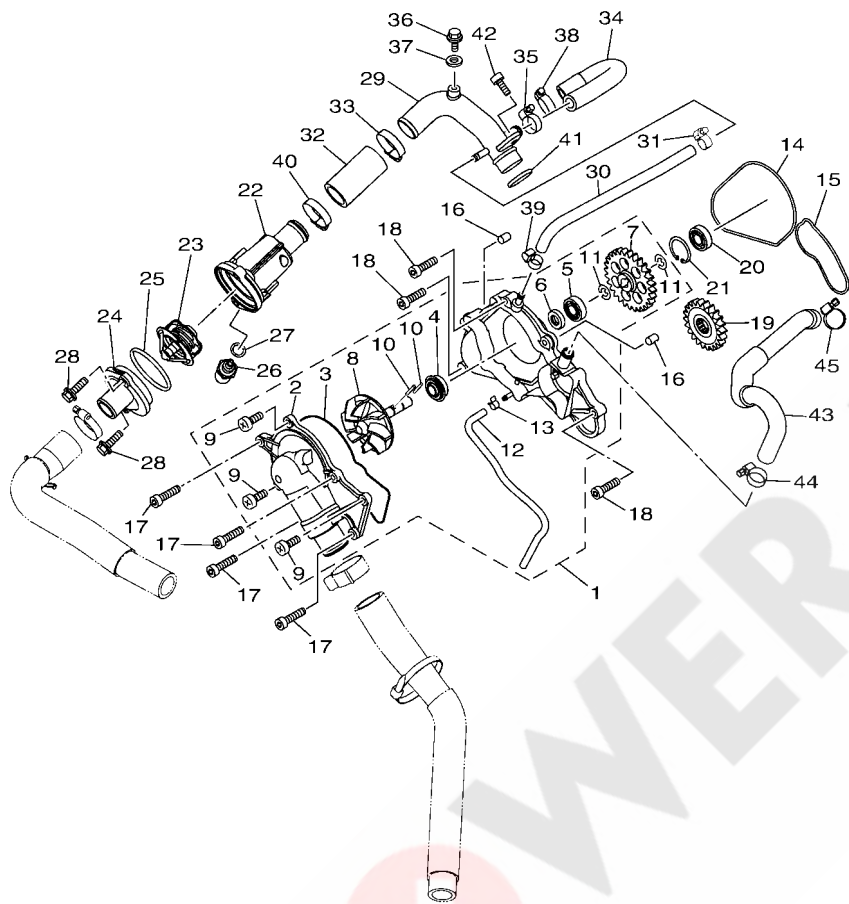


2HC1110-R040

FIG. 4 CAMSHAFT & CHAIN

REF. NO.	PART NO.	DESCRIPTION	BAS				REMARKS
1	2HC-12170-00	CAMSHAFT ASSY 1	1				
2	2HC-12180-00	CAMSHAFT ASSY 2	1				
3	2HC-12176-00	SPROCKET, CAM CHAIN	2				
4	90105-07004	BOLT, FLANGE	4				
5	94591-57140	CHAIN (98RH2010-140M)	1				
6	2HC-12210-00	TENSIONER ASSY, CAM CHAIN	1				
7	2C0-12213-00	GASKET, TENSIONER CASE	1				
8	90110-06335	BOLT, HEXAGON SOCKET HEAD	2				
9	8GL-12251-01	DAMPER, CHAIN 1	1				
10	2HC-12252-00	DAMPER, CHAIN 2	1				
11	90109-06295	BOLT	2				

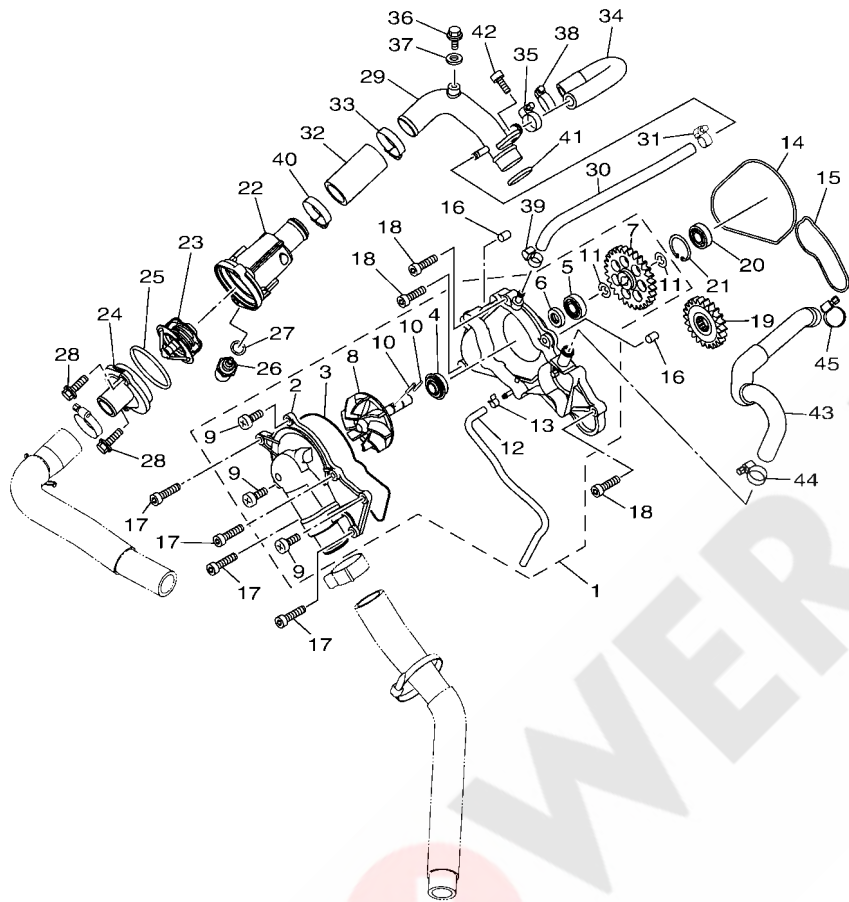
FIG. 5 WATER PUMP



FWD
2HC1110-R050

REF. NO.	PART NO.	DESCRIPTION	BAS				REMARKS
1	2HC-12420-00	WATER PUMP ASSY	1				
2	2HC-12422-00	.COVER, HOUSING	1				
3	8ES-12427-00	.GASKET, HOUSING COVER 1	1				
4	8ES-12438-00	.SEAL, MECHANICAL	1				
5	93306-00006	.BEARING	1				
6	93102-10207	.OIL SEAL (SD 10-21-5 HS)	1				
7	8ES-12459-01	.GEAR, IMPELLER SHAFT	1				
8	8ES-12450-01	.IMPELLER SHAFT ASSY	1				
9	98502-06016	.SCREW, PAN HEAD	3				
10	93604-16092	.PIN, DOWEL	2				
11	99002-08600	.CIRCLIP	2				
12	2HC-1243A-00	.HOSE 1	1				
13	90467-07093	.CLIP	1				
14	8ES-12435-00	GASKET	1				
15	8ES-12434-00	GASKET	1				
16	99530-08012	PIN, DOWEL	2				
17	91312-06040	BOLT, HEXAGON SOCKET HEAD	4				
18	91312-06025	BOLT, HEXAGON SOCKET HEAD	3				
19	8ES-12436-00	GEAR, DRIVE	1				
20	93306-00006	BEARING	1				
21	93420-26077	CIRCLIP	1				
22	2HC-12417-00	HOUSING, THERMOSTAT	1				
23	5LP-12411-00	THERMOSTAT	1				
24	4NX-12413-00	COVER, THERMOSTAT	1				
25	93210-49046	O-RING	1				
26	5YP-85790-00	THERMOSENSOR ASSY	1				
27	90201-12790	WASHER, PLATE	1				

FIG. 5 WATER PUMP




2HC1110-R050

REF. NO.	PART NO.	DESCRIPTION	BAS				REMARKS
28	95022-06020	BOLT, FLANGE	2				
29	B5H-12482-00	PIPE 2	1				
30	8GL-12485-00	PIPE 5	1				
31	90450-17001	HOSE CLAMP ASSY	1				
32	8FA-12551-00	HOSE 7	1				
33	90450-35001	HOSE CLAMP ASSY	1				
34	2HC-12589-01	HOSE 6	1				
35	90450-19001	HOSE CLAMP ASSY	1				
36	95022-06012	BOLT, FLANGE	1				
37	90430-06014	GASKET	1				
38	90450-22M14	HOSE CLAMP ASSY	1				
39	90450-17001	HOSE CLAMP ASSY	1				
40	90450-35001	HOSE CLAMP ASSY	1				
41	93210-235A1	O-RING	1				
42	90110-06310	BOLT, HEXAGON SOCKET HEAD	1				
43	2HC-12588-01	HOSE 5	1				
44	90450-19001	HOSE CLAMP ASSY	1				
45	90450-22M14	HOSE CLAMP ASSY	1				

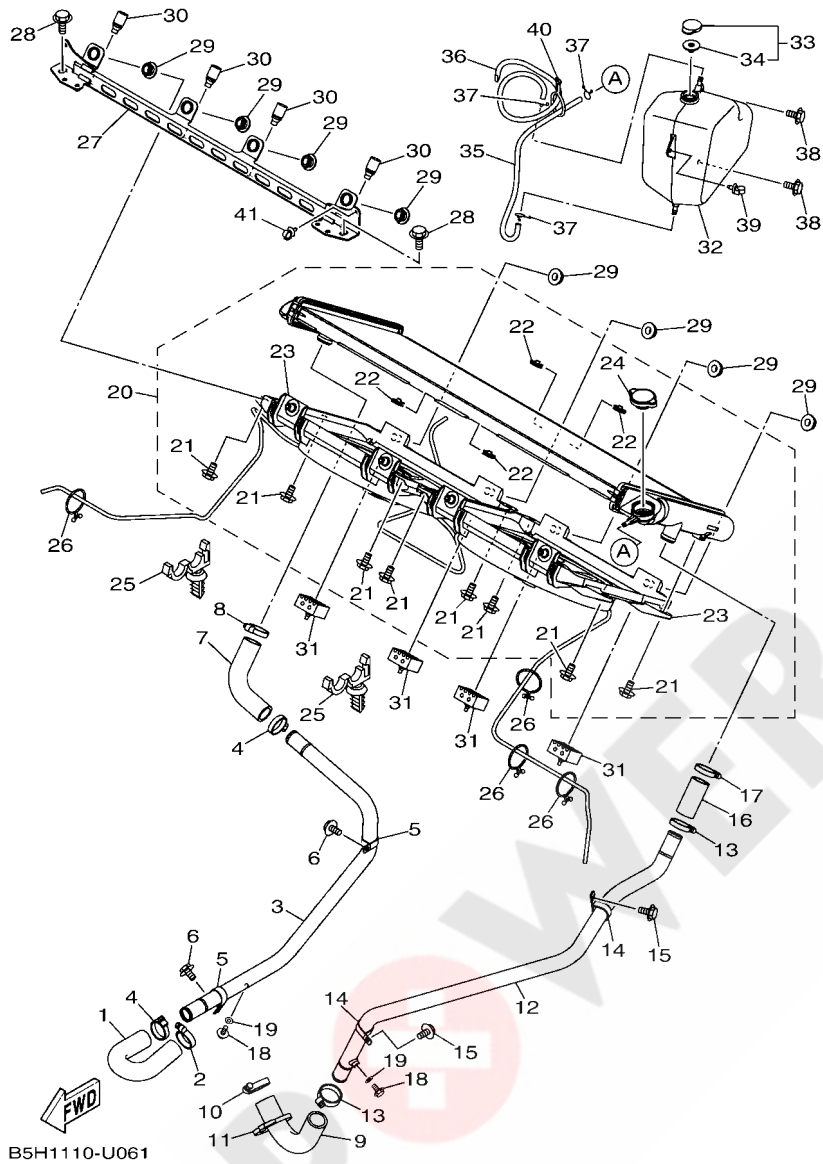


FIG. 6 RADIATOR & HOSE

REF. NO.	PART NO.	DESCRIPTION	BAS5			REMARKS
1	B5H-E2578-01	HOSE 3	1			
2	90450-35001	HOSE CLAMP ASSY	1			
3	B5H-E2564-01	PIPE, WATER	1			
4	90450-35001	HOSE CLAMP ASSY	2			
5	90461-12801	CLAMP	2			
6	90105-06832	BOLT, FLANGE	2			
7	B5H-E2576-01	HOSE 1	1			
8	90450-35001	HOSE CLAMP ASSY	1			
9	B5H-E2577-02	HOSE 2	1			
10	90450-38040	HOSE CLAMP ASSY	1			
11	90464-12045	CLAMP	1			
12	B5H-E2483-00	PIPE 3	1			
13	90450-35001	HOSE CLAMP ASSY	2			
14	90461-12801	CLAMP	2			
15	90105-06832	BOLT, FLANGE	2			
16	B5H-E2579-00	HOSE 4	1			
17	90450-35001	HOSE CLAMP ASSY	1			
18	95022-06008	BOLT, FLANGE	2			
19	90430-06014	GASKET	2			
20	B5H-E2460-02	RADIATOR ASSY	1			
21	B5H-E2675-00	.BOLT, BLOWER HOLDING	8			
22	B5H-E2671-00	.NUT 1	4			
23	B5H-E2405-00	.BLOWER ASSY	2			
24	1XD-E2462-00	.CAP, RADIATOR	1			
25	90464-12830	CLAMP	2			d: 12mm
26	90464-44109	CLAMP	4			
27	B5H-E2518-00	BRACKET, WATER COOLER	1			

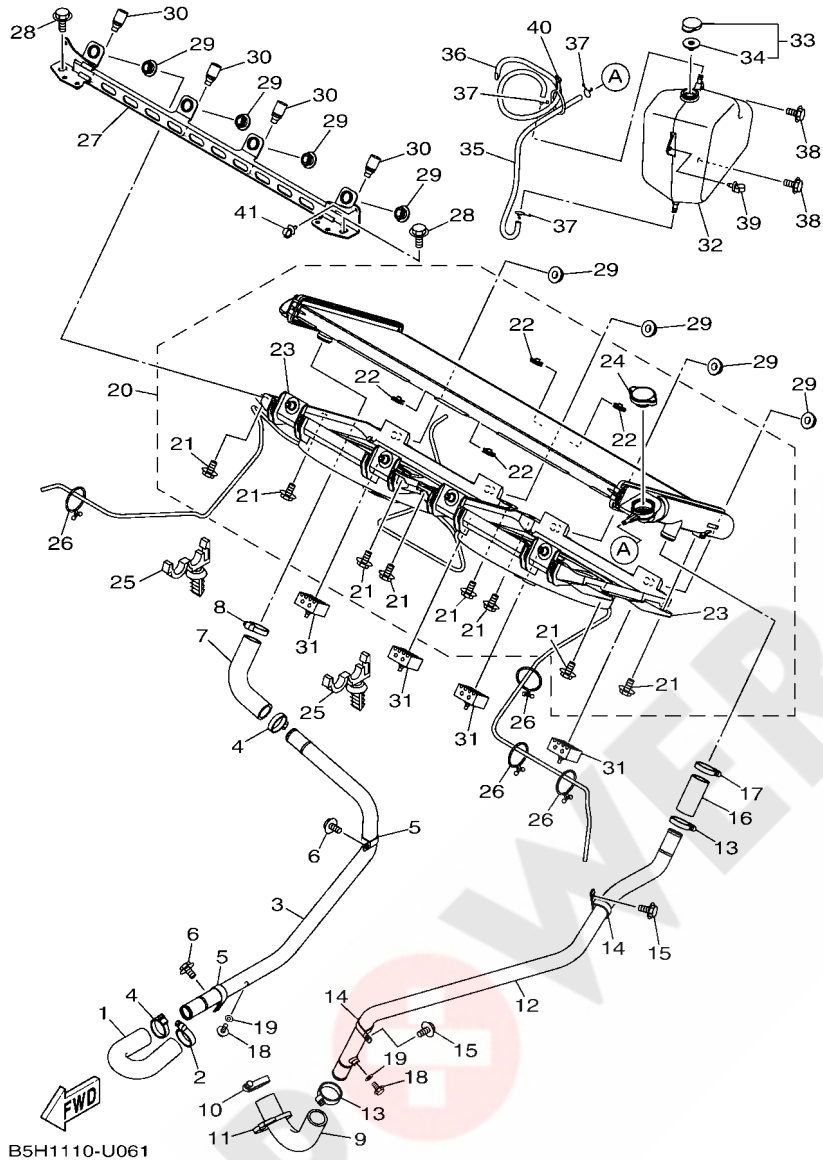
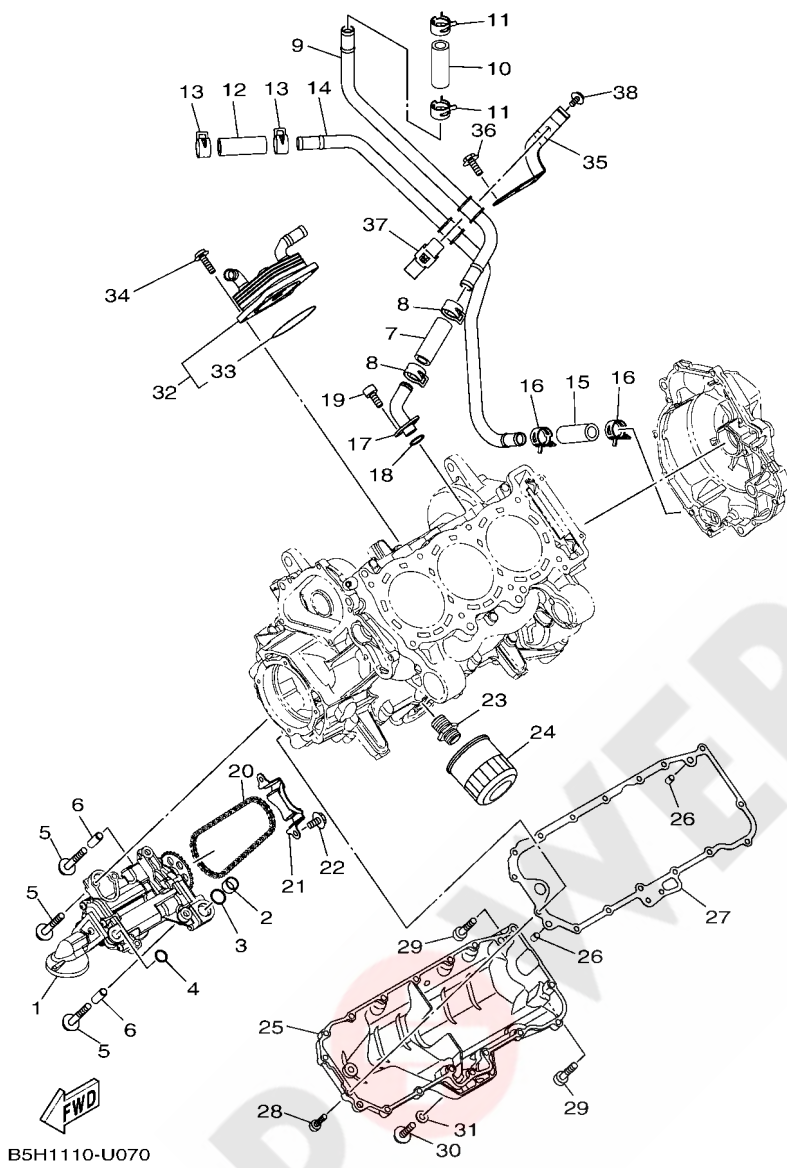


FIG. 6 RADIATOR & HOSE

REF. NO.	PART NO.	DESCRIPTION	BAS	REMARKS
28	95812-08016	BOLT, FLANGE	2	
29	90480-18277	GROMMET	8	
30	2MB-F8378-00	PAD	4	
31	2MB-F4182-00	DAMPER, LOCATING 2	4	
32	B5H-F1871-00	TANK, RECOVERY	1	
33	1AA-21815-00	CAP	1	
34	1AA-21874-00	.GASKET	1	
35	90445-08840	HOSE (L420)	1	
36	90445-08036	HOSE	1	
37	90467-08003	CLIP	3	
38	90119-06868	BOLT, WITH WASHER	2	
39	90464-12830	CLAMP	1	d: 12mm
40	90464-14800	CLAMP	1	
41	90464-12830	CLAMP	1	d: 12mm

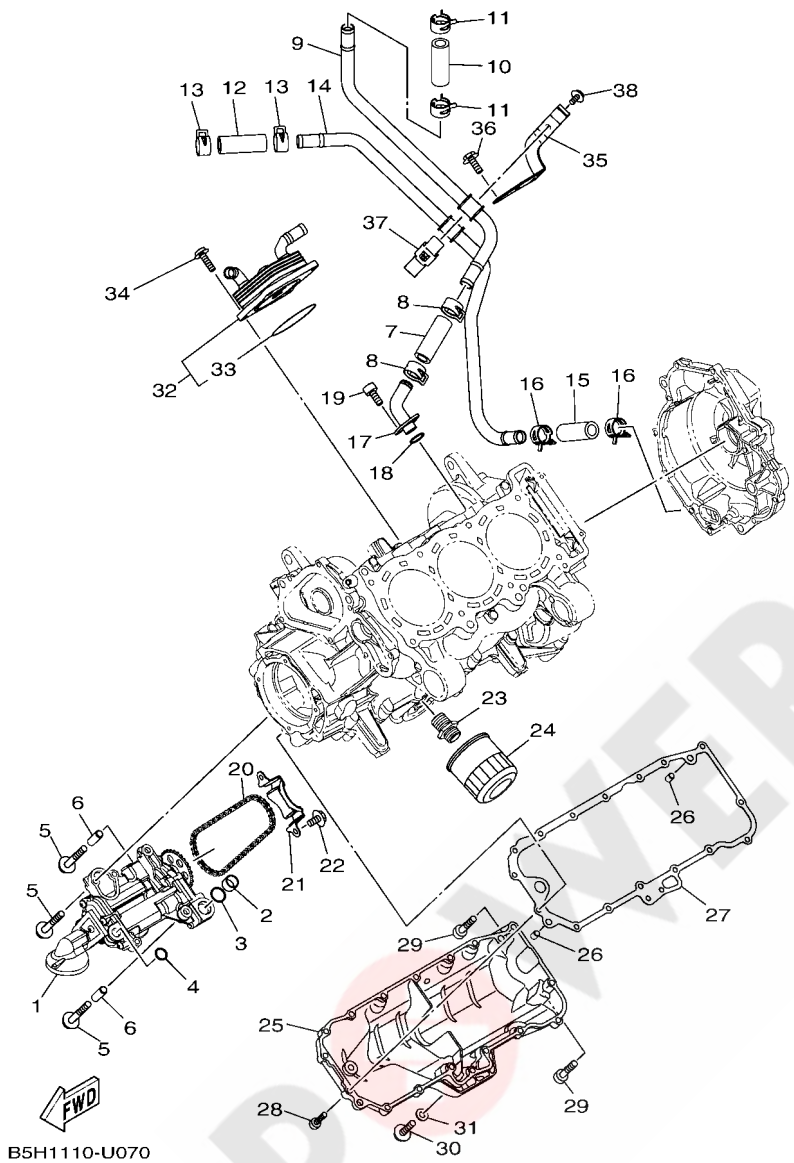
FIG. 7 OIL PUMP



B5H1110-U070

REF. NO.	PART NO.	DESCRIPTION	BAS				REMARKS
1	8GL-13300-00	OIL PUMP ASSY	1				
2	8ES-13284-00	PIPE	1				
3	93210-18322	O-RING	1				
4	93210-14579	O-RING	1				
5	95812-06040	BOLT, FLANGE	5				
6	91808-22019	PIN, DOWEL	2				
7	2HC-E3464-00	HOSE, OIL 1	1				
8	90467-22097	CLIP	2				
9	2HC-E3416-00	PIPE, OIL 1	1				
10	2HC-E3464-00	HOSE, OIL 1	1				
11	90467-22097	CLIP	2				
12	2HC-E3464-00	HOSE, OIL 1	1				
13	90467-22097	CLIP	2				
14	2HC-E3418-00	PIPE, OIL 2	1				
15	2HC-E3464-00	HOSE, OIL 1	1				
16	90467-22097	CLIP	2				
17	8ES-13115-00	CONNECTOR, SUCTION PIPE	1				
18	93210-16629	O-RING	1				
19	91312-06016	BOLT, HEXAGON SOCKET HEAD	2				
20	94580-25064	CHAIN (DID25 64LE)	1				
21	8ES-13898-00	HOLDER	1				
22	95812-06012	BOLT, FLANGE	2				
23	90401-20008	BOLT, UNION	1				
24	5GH-13440-61	ELEMENT ASSY, OIL CLEANER	1				
25	2HC-13417-00	COVER, STRAINER	1				
26	99530-08012	PIN, DOWEL	2				
27	2HC-13414-00	GASKET, STRAINER COVER	1				

FIG. 7 OIL PUMP



REF. NO.	PART NO.	DESCRIPTION	BAS				REMARKS
28	91312-06025	BOLT, HEXAGON SOCKET HEAD	15				
29	91317-06035	BOLT, HEX. SOCKET HEAD	2				
30	90109-06031	BOLT	1				
31	90430-06192	GASKET	1				
32	2HC-13470-00	OIL COOLER ASSY	1				
33	2HC-13473-00	.O-RING	1				
34	90110-06164	BOLT, HEXAGON SOCKET HEAD	4				
35	2HC-E3487-00	GUIDE, OIL HOSE	1				
36	95812-06016	BOLT, FLANGE	2				
37	2HC-E3499-00	GUIDE, OIL HOSE 2	1				
38	95812-06012	BOLT, FLANGE	1				

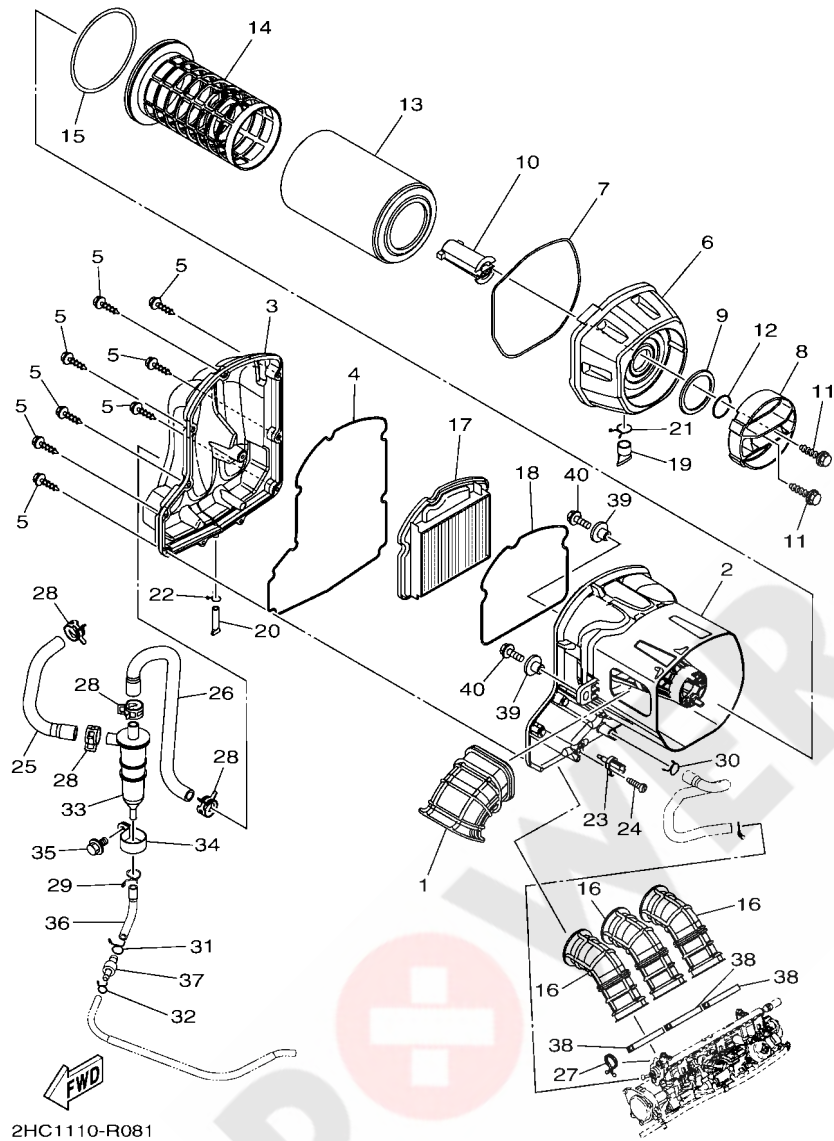


FIG. 8 INTAKE

REF. NO.	PART NO.	DESCRIPTION	BAS				REMARKS
1	2HC-E4437-01	DUCT	1				
2	2HC-E4411-01	CASE, AIR CLEANER 1	1				
3	2HC-E4421-00	CASE, AIR CLEANER 2	1				
4	2HC-E4452-00	SEAL	1				
5	2HC-E4429-00	SCREW	11				
6	2HC-E4412-00	CAP, CLEANER CASE 1	1				
7	2HC-E4457-01	SEAL	1				
8	2HC-E4422-00	CAP, CLEANER CASE 2	1				
9	2HC-E4126-00	GASKET	1				
10	2HC-E445B-00	LEVER 1	1				
11	2HC-E4429-00	SCREW	2				
12	2HC-E4476-00	SEAL	1				
13	2HC-E4451-00	ELEMENT, AIR CLEANER	1				
14	2HC-E4458-00	GUIDE	1				
15	2HC-E4467-00	SEAL	1				
16	2HC-E4453-00	JOINT, AIR CLEANER 1	3				
17	2HC-E4461-00	ELEMENT, AIR CLEANER 2	1				
18	2HC-E4462-00	SEAL	1				
19	B16-E443E-00	PIPE, DRAIN	1				
20	4ST-E443E-00	PIPE, DRAIN	1				
21	90467-220A1	CLIP	1				
22	90467-110A3	CLIP	1				
23	8FP-85886-00	SENSOR, AIR TEMPERATURE	1				
24	97707-50520	SCREW, TAPPING	1				
25	2HC-F1745-00	PIPE, OIL TANK BREATHER	1				
26	2HC-F174N-00	PIPE, OIL TANK	1				
27	90464-23041	CLAMP	1				

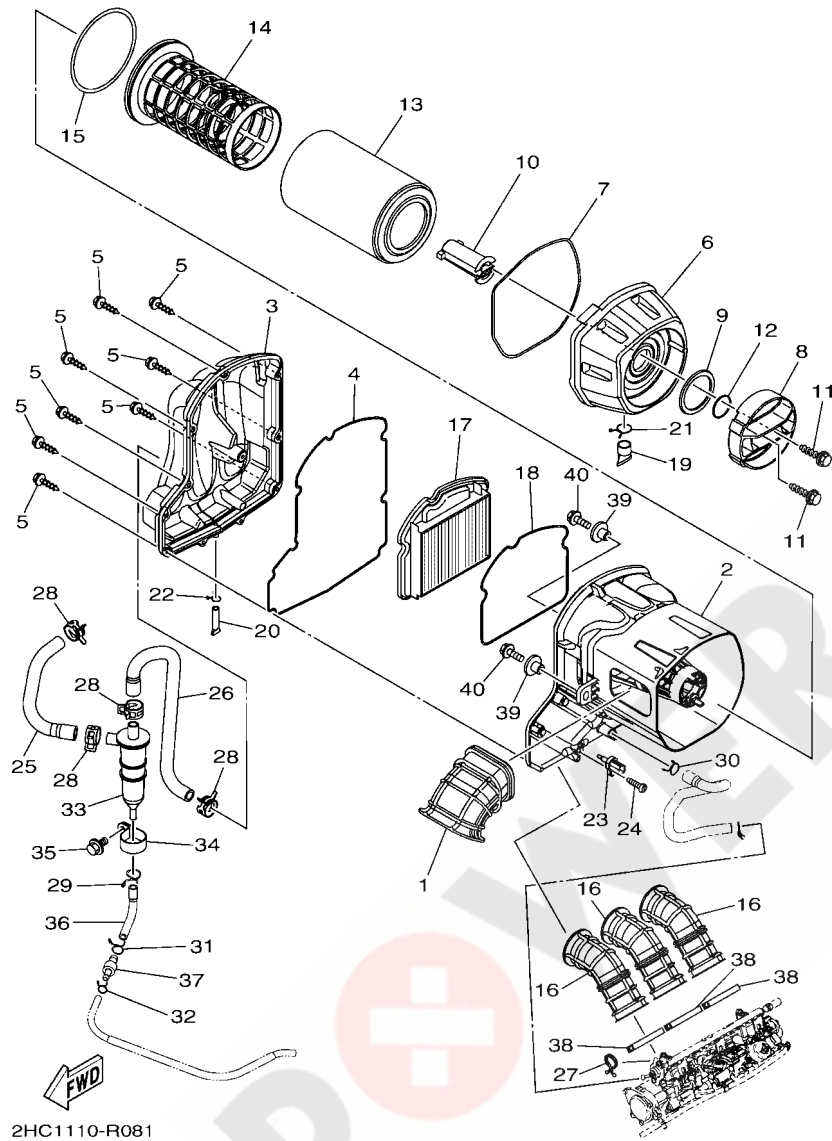
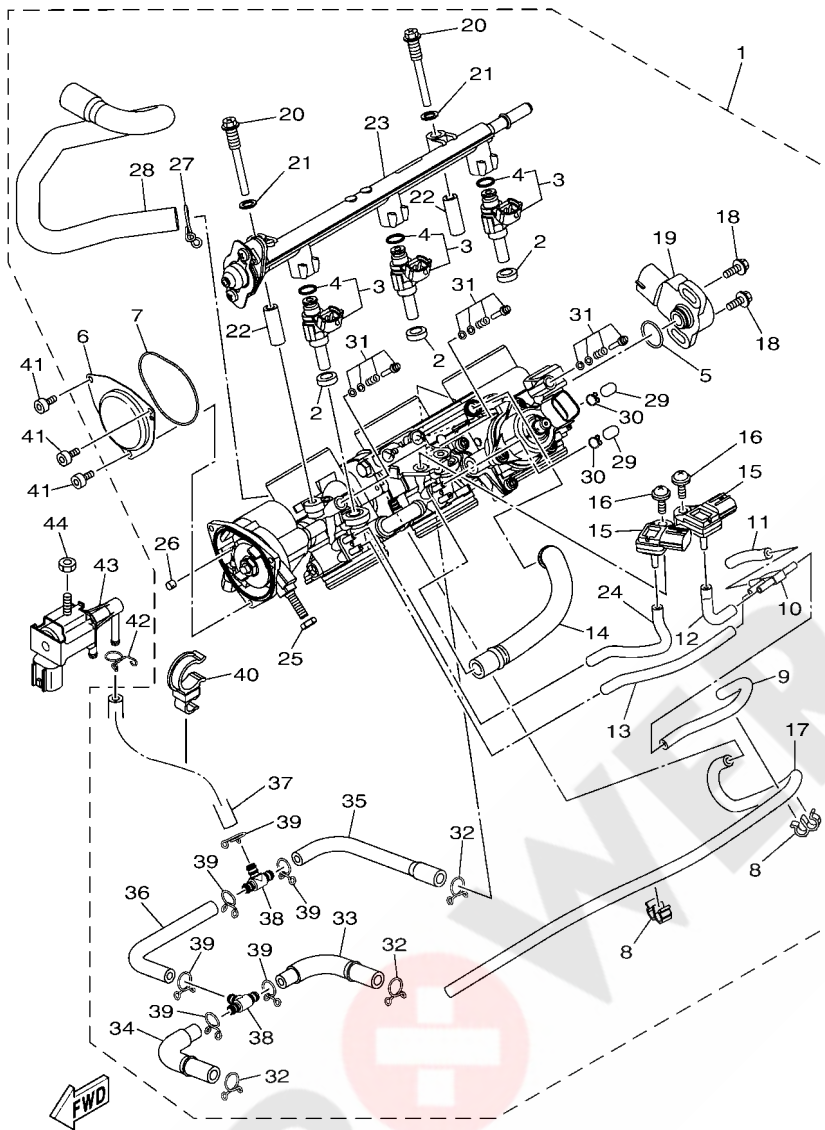


FIG. 8 INTAKE

REF. NO.	PART NO.	DESCRIPTION	BAS				REMARKS
28	90467-22097	CLIP	4				
29	90467-140A4	CLIP	1				
30	90467-180A1	CLIP	1				
31	90467-13M13	CLIP	1				
32	90467-110A3	CLIP	1				
33	6TA-15370-00	BREATHER ASSY	1				
34	6TA-15378-00	HOLDER	1				
35	95822-08016	BOLT, FLANGE	1				
36	2HC-11167-00	PIPE, BREATHER 2	1				
37	67F-24377-00	PIPE, JOINT 2	1				
38	90450-56009	HOSE CLAMP ASSY	3				
39	90387-07051	COLLAR	2				
40	95812-06020	BOLT, FLANGE	2				

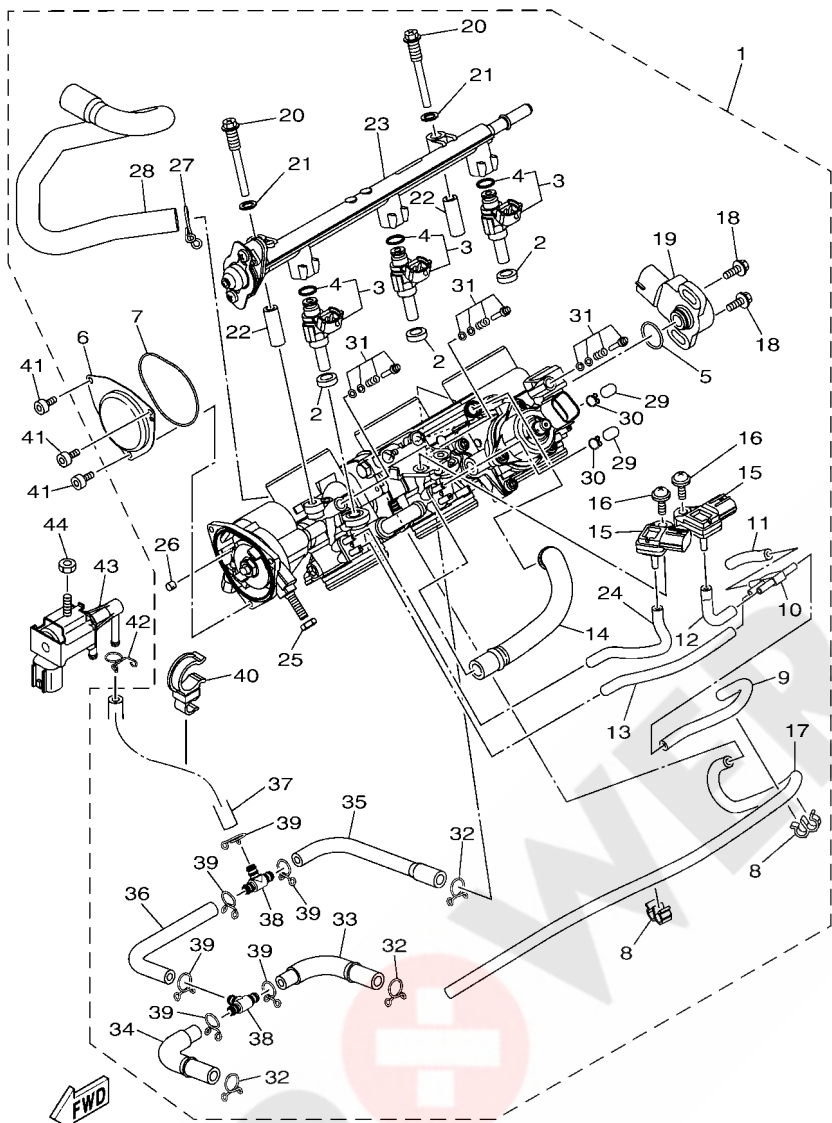
FIG. 9 THROTTLE BODY ASSY 1



B5H1110-U090

REF. NO.	PART NO.	DESCRIPTION	BAS				REMARKS
1	B5H-13750-00	THROTTLE BODY ASSY	1				
2	8FP-13556-10	.GASKET, MANIFOLD	3				
3	2HC-13761-00	.INJECTOR	3				
4	68V-1416A-00	.O-RING	1				
5	5YP-14562-00	.O-RING	1				
6	5UG-14293-00	.COVER 1	1				
7	5LP-14147-00	.O-RING	1				
8	69J-2417H-00	.CLAMP 1	2				
9	2HC-13894-00	.HOSE, AIR 4	1				
10	5PW-1410F-00	.NIPPLE, 1	1				
11	8FP-14349-30	.PIPE	1				
12	8HF-13892-00	.HOSE, AIR 2	1				
13	8GL-13893-00	.HOSE, AIR 3	1				
14	8GL-13895-00	.HOSE, AIR	1				
15	1WS-82380-00	.SENSOR, PRESSURE	2				
16	2C0-14216-00	.SCREW	2				
17	18P-13543-00	.HOSE, AIR	1				
18	8CC-14216-10	.SCREW	2				
19	3B4-85885-00	.THROTTLE SENSOR ASSY	1				
20	8GL-13573-00	.BOLT 1	2				
21	8GL-13571-00	.WASHER	2				
22	8GL-14534-00	.COLLAR	2				
23	2HC-13930-00	.PIPE INLET ASSEMBLY	1				
24	5PW-14349-00	.PIPE	1				
25	1S3-14161-00	.NUT, CABLE ADJUSTING	1				
26	1UY-14155-00	.GUIDE, CABLE	1				
27	90467-150A2	.CLIP	1				

FIG. 9 THROTTLE BODY ASSY 1



B5H1110-U090

REF. NO.	PART NO.	DESCRIPTION	BAS5				REMARKS
28	2HC-13545-00	.HOSE 1	1				
29	895-14169-00	.CAP	2				
30	8A7-14139-00	.CLIP, PIPE	2				
31	8GL-14503-00	.ADJUST SCREW SET	3				
32	90467-11106	.CLIP	3				
33	B5H-14419-00	.PIPE	1				
34	B5H-14465-00	.PIPE	1				
35	B5H-14466-00	.PIPE	1				
36	B5H-1443J-00	.PIPE	1				
37	B5H-1444J-00	.PIPE	1				
38	90413-06031	.WAY 3	2				
39	90467-10041	.CLIP	6				
40	90464-20025	.CLAMP	1				
41	91312-04006	BOLT, HEXAGON SOCKET HEAD	3				
42	90467-10041	CLIP	1				
43	BG4-86120-00	SOLENOID VALVE ASSY	1				
44	95702-06500	NUT, FLANGE	1				

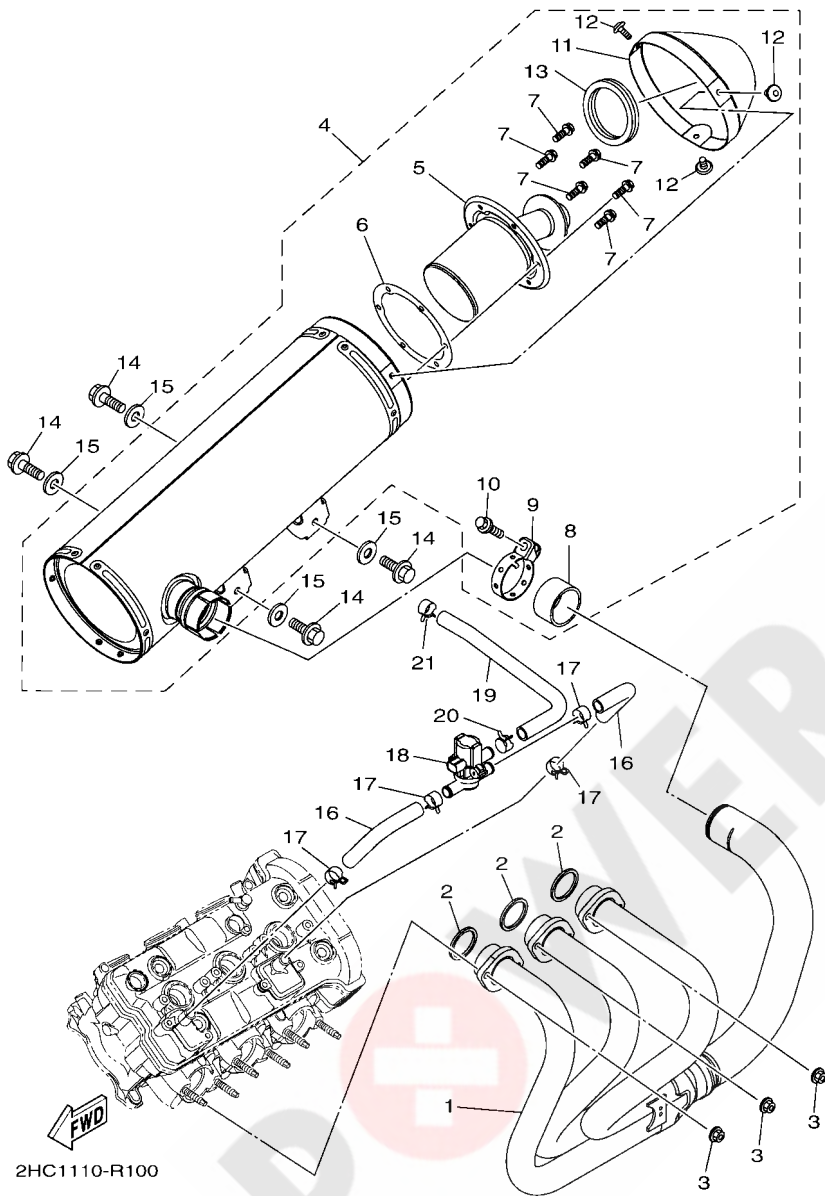
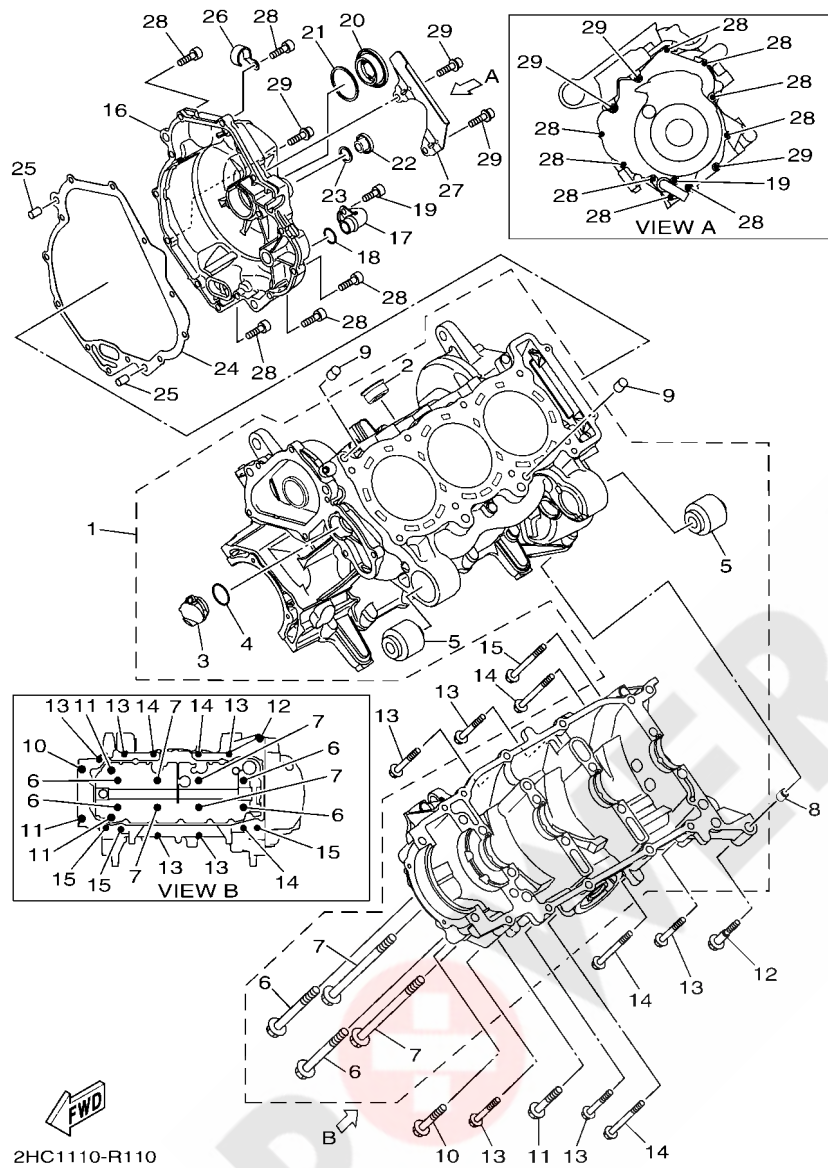


FIG. 10 EXHAUST

REF. NO.	PART NO.	DESCRIPTION	BAS				REMARKS
1	2HC-14602-00	EXHAUST PIPE COMP.	1				
2	4FM-14613-00	GASKET, EXHAUST PIPE	3				
3	90179-08410	NUT	6				
4	B5H-E4710-02	MUFFLER ASSY 1	1				
5	2HC-14780-09	.SPARK ARRESTER ASSY	1				
6	2HC-14755-00	.GASKET, SILENCER	1				
7	95022-06012	.BOLT, FLANGE	6				
8	1SL-14714-00	.GASKET, MUFFLER	1				
9	1SL-14715-00	.BAND, MUFFLER	1				
10	95022-08035	.BOLT, FLANGE	1				
11	B5H-14799-00	.CAP	1				
12	90149-06298	.SCREW	3				
13	2HC-1475P-00	.SEAT	1				
14	90101-10038	BOLT	4				
15	90201-10034	WASHER, PLATE	4				
16	2HC-E4881-00	HOSE, BEND 1	2				
17	90467-17089	CLIP	4				
18	2HC-14840-00	AIR CUT VALVE ASSY	1				
19	2HC-E4882-00	HOSE, BEND 2	1				
20	90467-17089	CLIP	1				
21	90467-20086	CLIP	1				

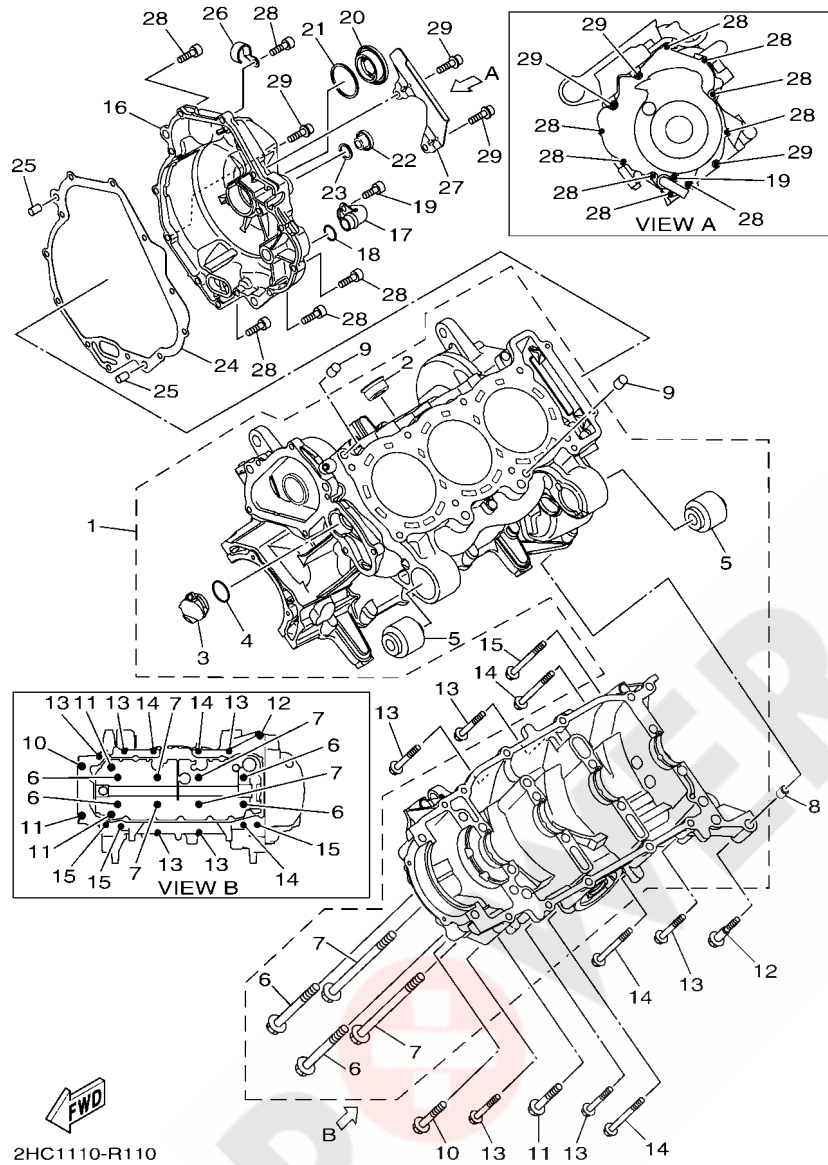
FIG. 11 CRANKCASE



2HC1110-R110

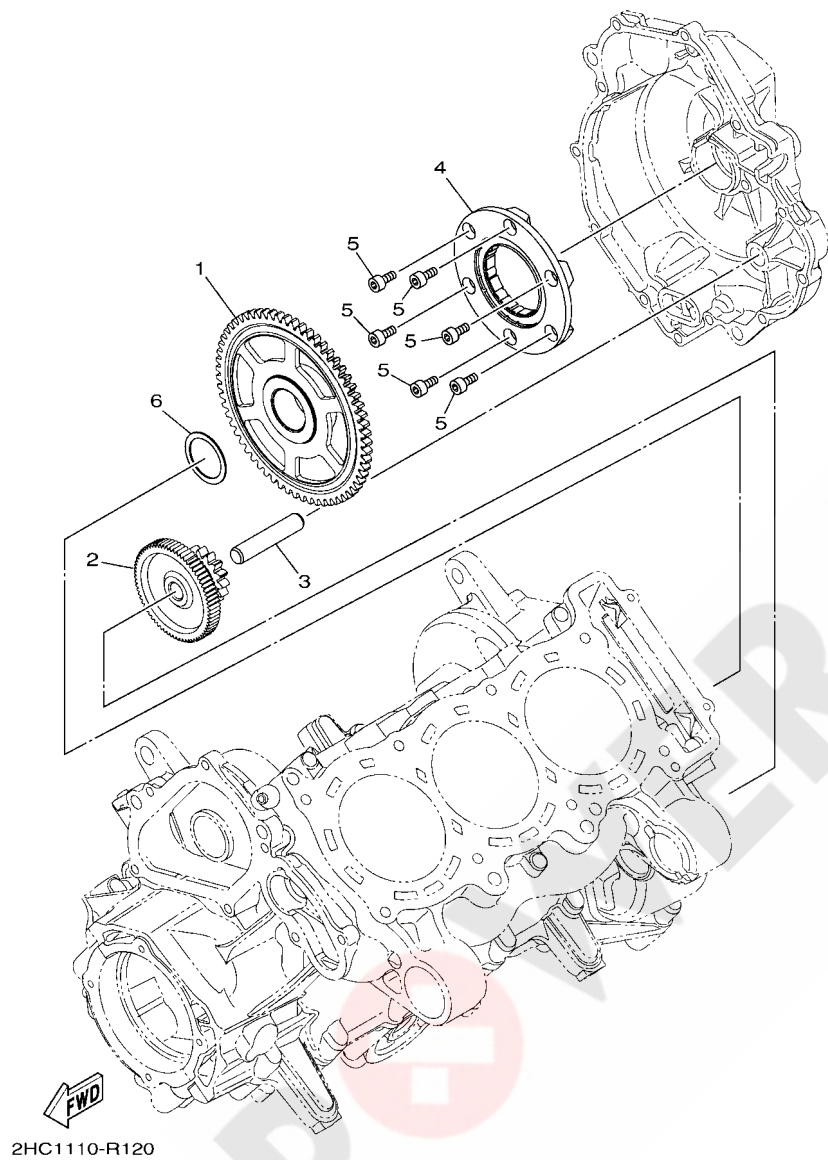
REF. NO.	PART NO.	DESCRIPTION	BAS5				REMARKS
1	2HC-15109-08	CRANKCASE ASSY	1				
2	90340-27129	.PLUG, STRAIGHT SCREW	1				
3	8ES-15167-00	.PLUG, BLIND 1	1				
4	93210-24709	.O-RING	1				
5	2HC-15541-00	.COLLAR	2				
6	90119-09004	.BOLT, WITH WASHER	4				
7	90119-09011	.BOLT, WITH WASHER	4				
8	99530-10014	PIN, DOWEL	1				
9	99530-10114	PIN, DOWEL	2				
10	95812-08055	BOLT, FLANGE	1				
11	95812-08070	BOLT, FLANGE	3				
12	90109-06185	BOLT	1				
13	95812-06055	BOLT, FLANGE	5				
14	95812-06080	BOLT, FLANGE	3				
15	90105-06123	BOLT, FLANGE	3				
16	B5H-15421-00	COVER, CRANKCASE 2	1				
17	2HC-13115-00	CONNECTOR, SUCTION PIPE	1				
18	93210-14003	O-RING	1				
19	91312-06014	BOLT, HEXAGON SOCKET HEAD	1				
20	90340-36004	PLUG, STRAIGHT SCREW	1				
21	93210-357A3	O-RING	1				
22	90340-14016	PLUG, STRAIGHT SCREW	1				
23	93210-14369	O-RING	1				
24	2HC-15461-00	GASKET, CRANKCASE COVER 2	1				
25	99530-08012	PIN, DOWEL	2				
26	90462-08225	CLAMP	1				
27	B5H-15191-00	PLATE	1				

FIG. 11 CRANKCASE

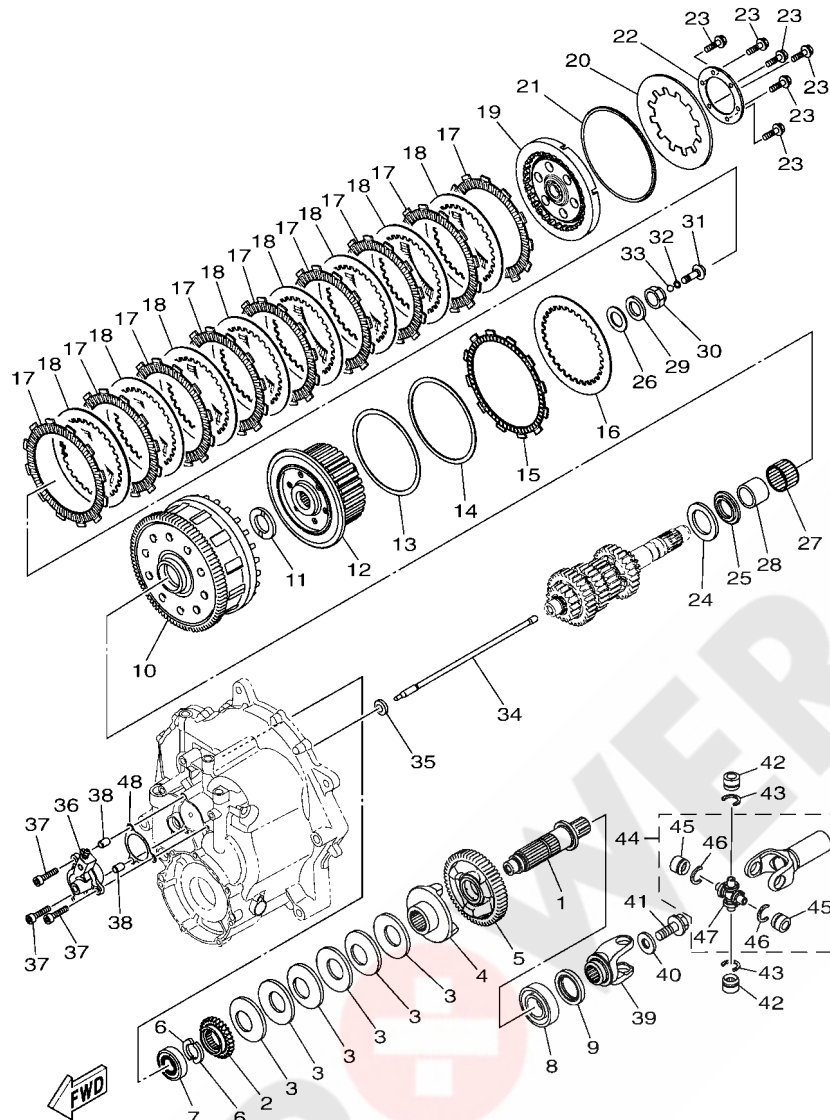


REF. NO.	PART NO.	DESCRIPTION	BAS			REMARKS
28	91312-06025	BOLT, HEXAGON SOCKET HEAD	9			
29	90110-06390	BOLT, HEXAGON SOCKET HEAD	3			

FIG. 12 STARTER CLUTCH



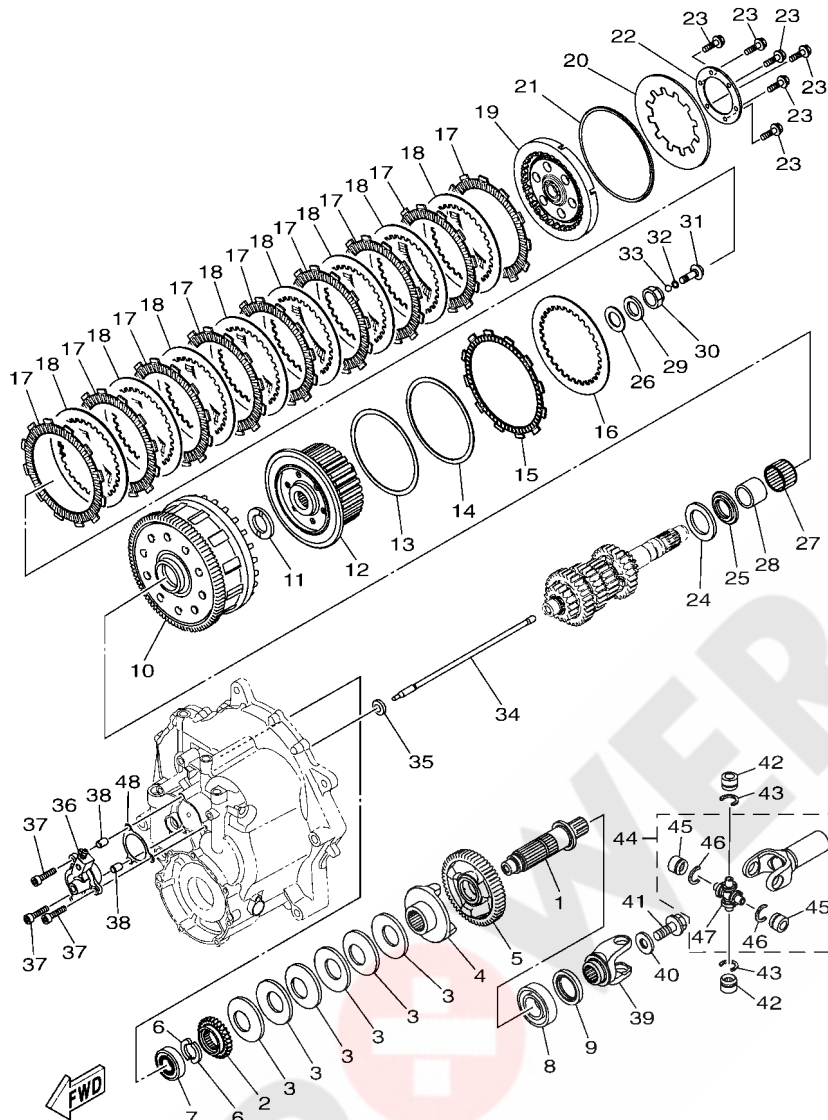
REF. NO.	PART NO.	DESCRIPTION	BAS			REMARKS
1	8FA-15515-00	GEAR 3	1			
2	2HC-15512-00	GEAR, IDLER 1	1			
3	8ES-15521-00	SHAFT 1	1			
4	2HC-15590-00	STARTER ONE-WAY ASSY	1			
5	90110-06168	BOLT, HEXAGON SOCKET HEAD	6			
6	90201-30013	WASHER, PLATE	1			



B571110-S130

FIG. 13 CLUTCH

REF. NO.	PART NO.	DESCRIPTION	BAS			REMARKS
1	2HC-11465-00	SHAFT 2	1			
2	2HC-13324-00	GEAR, PUMP DRIVE	1			
3	2HC-16318-00	SPRING, DAMPER	6			
4	2HC-16317-00	CAM, DAMPER 1	1			
5	2HC-16111-00	GEAR, PRIMARY DRIVE	1			
6	23P-17529-00	WASHER, THRUST	2			
7	93306-20483	BEARING	1			
8	93306-30525	BEARING	1			
9	93102-35039	OIL SEAL	1			
10	2HC-16150-00	PRIMARY DRIVEN GEAR COMP.	1			
11	1D7-16154-00	PLATE, THRUST 1	1			
12	B57-16371-00	BOSS, CLUTCH	1			
13	2D2-16384-00	PLATE, SEAT(T=1.7)	1			
14	3P6-16383-00	SPRING.,CUSHION	1			
15	1PK-16331-00	PLATE, FRICTION 2	1			
16	2H7-16325-00	PLATE, CLUTCH 2	1			
17	5YU-16321-00	PLATE, FRICTION	9			
18	2H7-16324-00	PLATE, CLUTCH 1	8			
19	2HC-16350-00	PRESSURE PLATE ASSY	1			
20	36Y-16334-00	SPRING, CLUTCH 2	1			
21	36Y-16335-00	HOUSING, SPRING	1			
22	1TX-16352-00	PLATE, PRESSURE 2	1			
23	95812-06025	BOLT, FLANGE	6			
24	2HC-16587-00	SPRING.,ABSORBER	1			
25	2HC-16183-00	SPACER 3	1			
26	90201-22013	WASHER, PLATE	1			
27	93310-33560	BEARING	1			



B571110-S130

FIG. 13 CLUTCH

REF. NO.	PART NO.	DESCRIPTION	BAS				REMARKS
28	2HC-16181-00	SPACER 1	1				
29	90208-22003	WASHER, CONICAL SPRING	1				
30	90179-22010	NUT	1				
31	4KG-16356-00	ROD, PUSH 1	1				
32	93210-06632	O-RING	1				
33	93511-32017	BALL	1				
34	2HC-16357-00	ROD, PUSH 2	1				
35	93109-08061	OIL SEAL	1				
36	2HC-16381-00	PUSH LEVER COMP.	1				
37	90110-06246	BOLT, HEXAGON SOCKET HEAD	3				
38	99530-08012	PIN, DOWEL	2				
39	2HC-46147-00	YOKE, JOINT 2	1				
40	90201-121H0	WASHER, PLATE	1				
41	90105-12094	BOLT, FLANGE	1				
42	93399-99948	BEARING	2				
43	93440-20088	CIRCLIP	2				
44	2HC-46108-00	CROSS JOINT COMP. 3	1				
45	93399-99948	.BEARING	2				
46	93440-20088	.CIRCLIP	2				
47	2HC-46187-00	.SPIDER	1				
48	2HC-17472-00	GASKET	1				

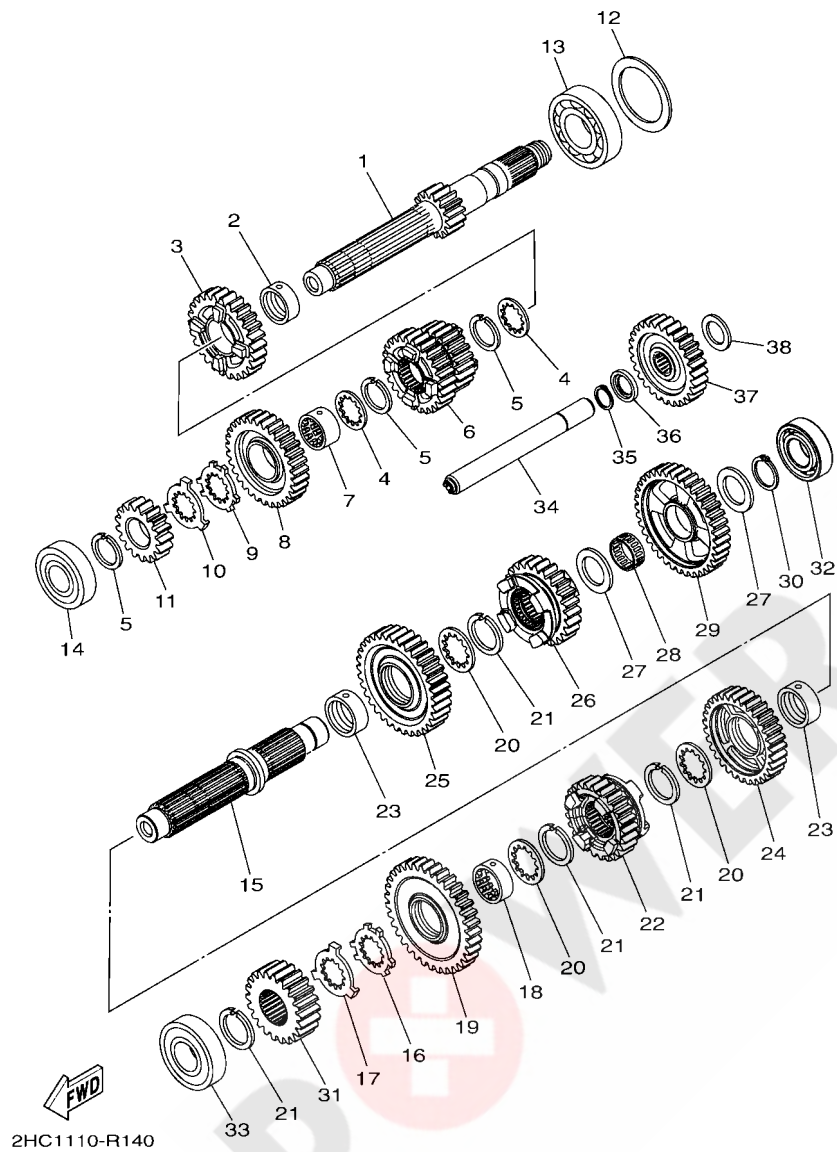


FIG. 14 TRANSMISSION

REF. NO.	PART NO.	DESCRIPTION	BAS				REMARKS
1	2HC-17411-00	AXLE, MAIN (15T)	1				
2	90387-28003	COLLAR	1				
3	2HC-17141-00	GEAR, 4TH PINION (26T)	1				
4	90209-25011	WASHER	2				
5	93440-28184	CIRCLIP	3				
6	2HC-17121-00	GEAR, 2ND PINION (26T/22T)	1				
7	90387-25023	COLLAR	1				
8	2HC-17151-00	GEAR, 5TH PINION (31T)	1				
9	90214-25004	WASHER, CLAW	1				
10	90214-25003	WASHER, CLAW	1				
11	2HC-17111-10	GEAR, 1ST PINION (15T)	1				
12	90201-51013	WASHER, PLATE	1				
13	93306-37817	BEARING	1				
14	93306-37215	BEARING	1				
15	2HC-17421-00	AXLE, DRIVE	1				
16	90214-29002	WASHER, CLAW	1				
17	90214-28002	WASHER, CLAW	1				
18	90387-28004	COLLAR	1				
19	2HC-17211-10	GEAR, 1ST WHEEL (36T)	1				
20	90209-28008	WASHER	3				
21	93440-31187	CIRCLIP	4				
22	B57-17251-00	GEAR, 5TH WHEEL (25T)	1				
23	90387-31003	COLLAR	2				
24	B57-17231-00	GEAR, 3RD WHEEL (31T)	1				
25	B57-17221-00	GEAR, 2ND WHEEL (34T)	1				
26	B57-17241-00	GEAR, 4TH WHEEL (25T)	1				
27	90201-25290	WASHER, PLATE	2				

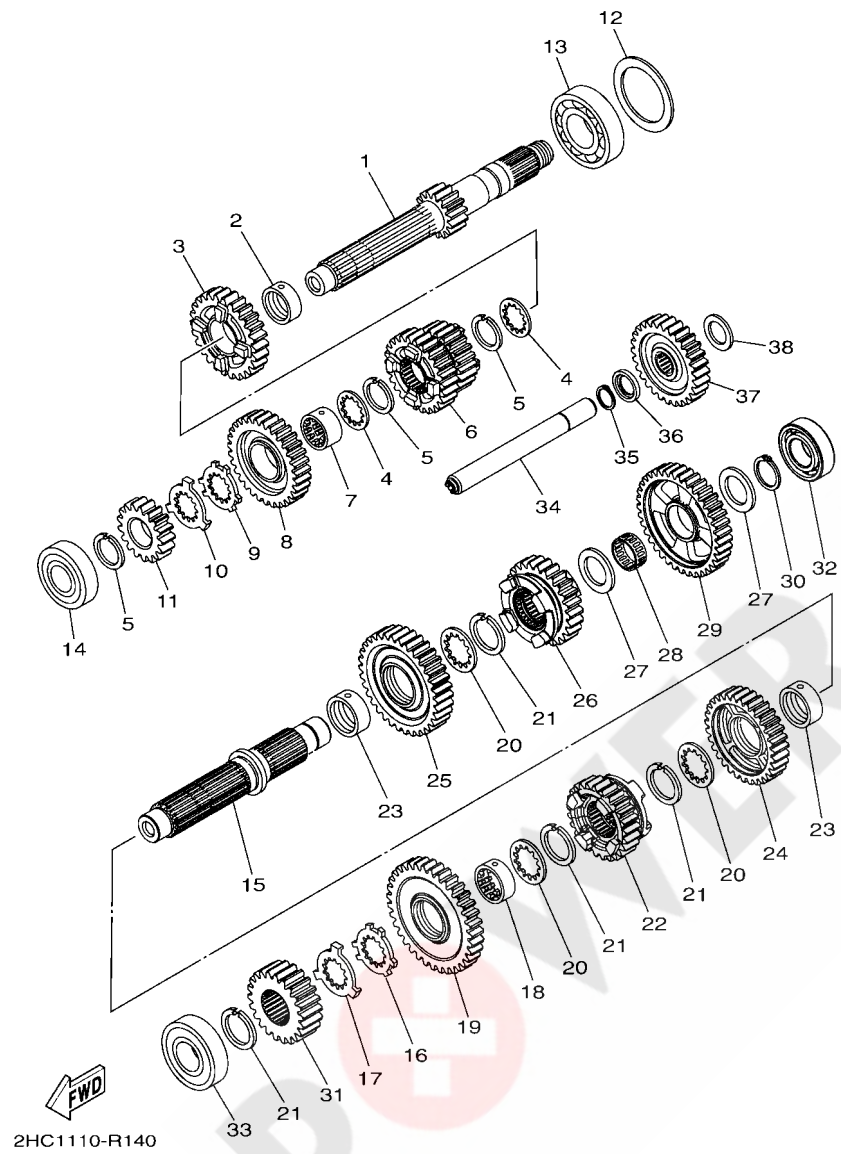


FIG. 14 TRANSMISSION

REF. NO.	PART NO.	DESCRIPTION	BAS				REMARKS
28	93310-32590	BEARING	1				
29	2HC-17253-00	GEAR, REVERSE WHEEL 2 (37T)	1				
30	93410-25017	CIRCLIP	1				
31	B5H-17582-00	GEAR, MIDDLE DRIVE (23T)	1				
32	93306-20595	BEARING	1				
33	93306-30585	BEARING	1				
34	2HC-17432-00	AXLE, IDLE	1				
35	93410-17037	CIRCLIP	1				
36	2HC-18473-00	RETAINER, SPRING	1				
37	2HC-1724A-00	REVERSE WHEEL ASSY (28T)	1				
38	90201-17257	WASHER, PLATE	1				

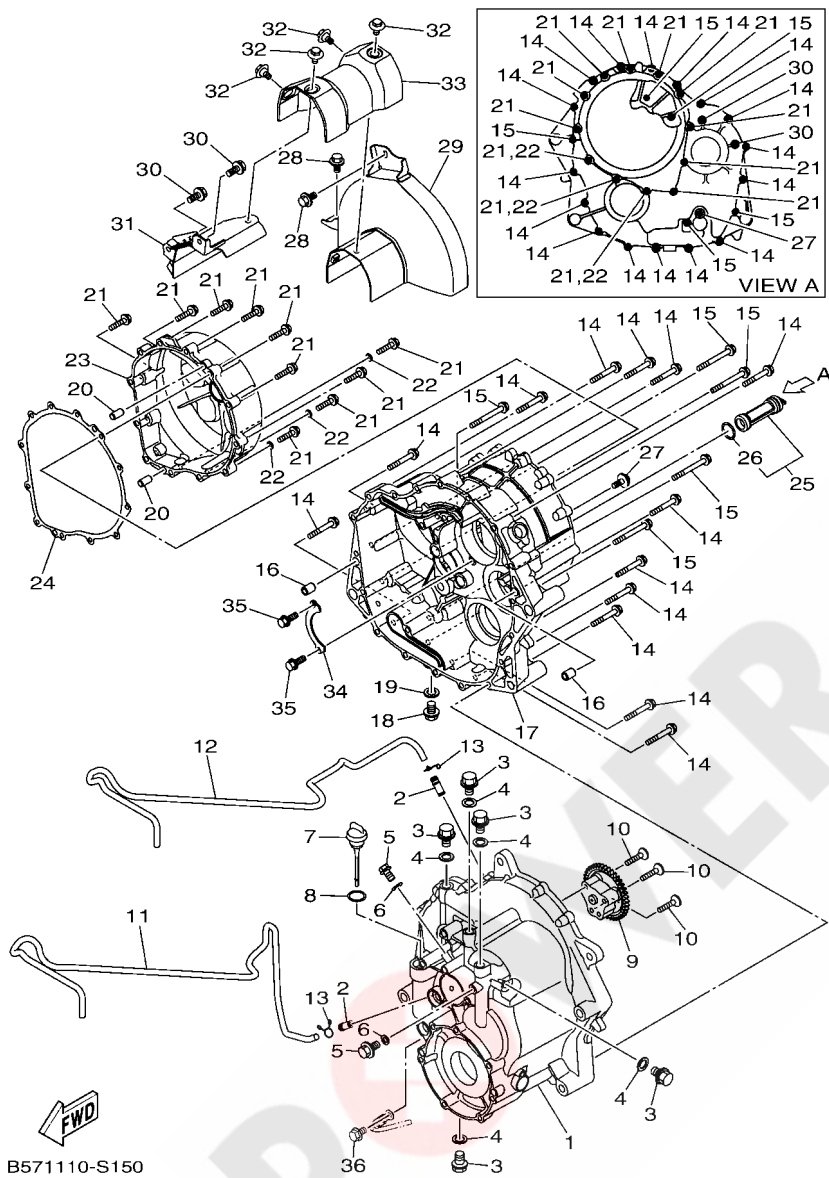
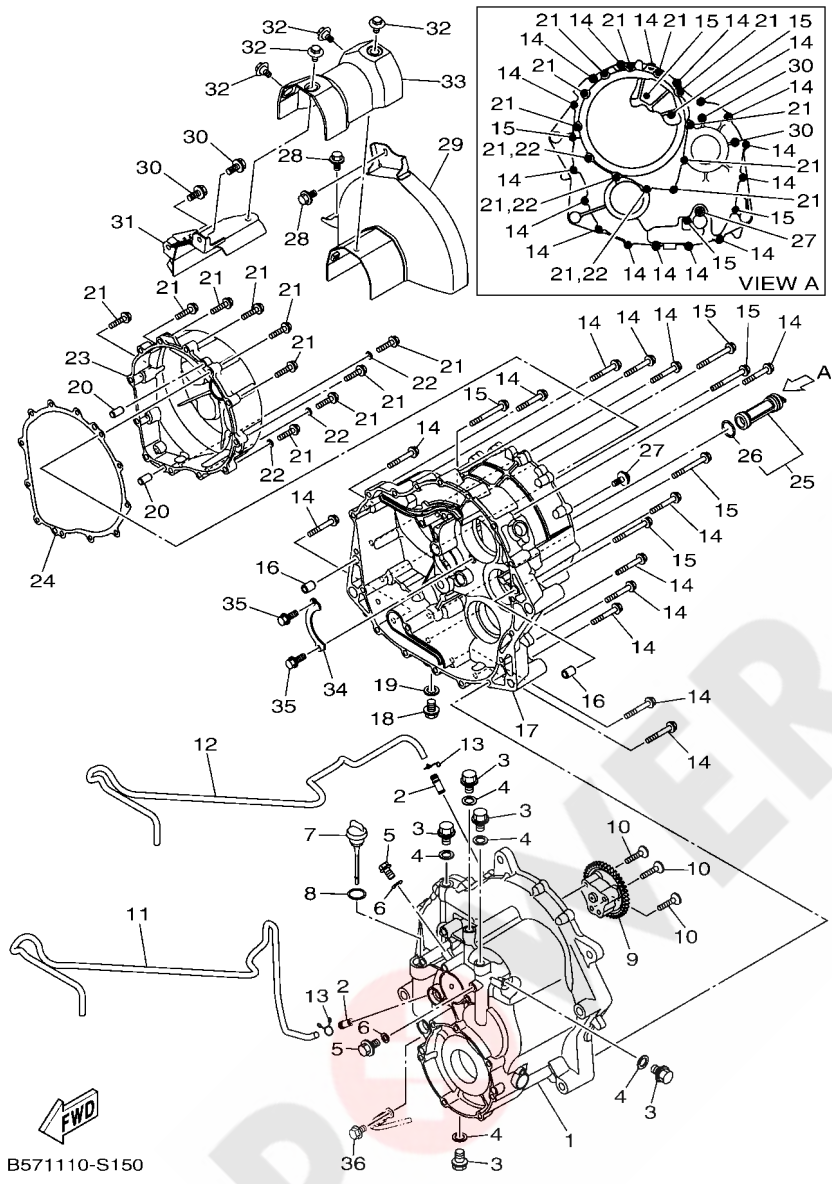


FIG. 15 TRANSFER

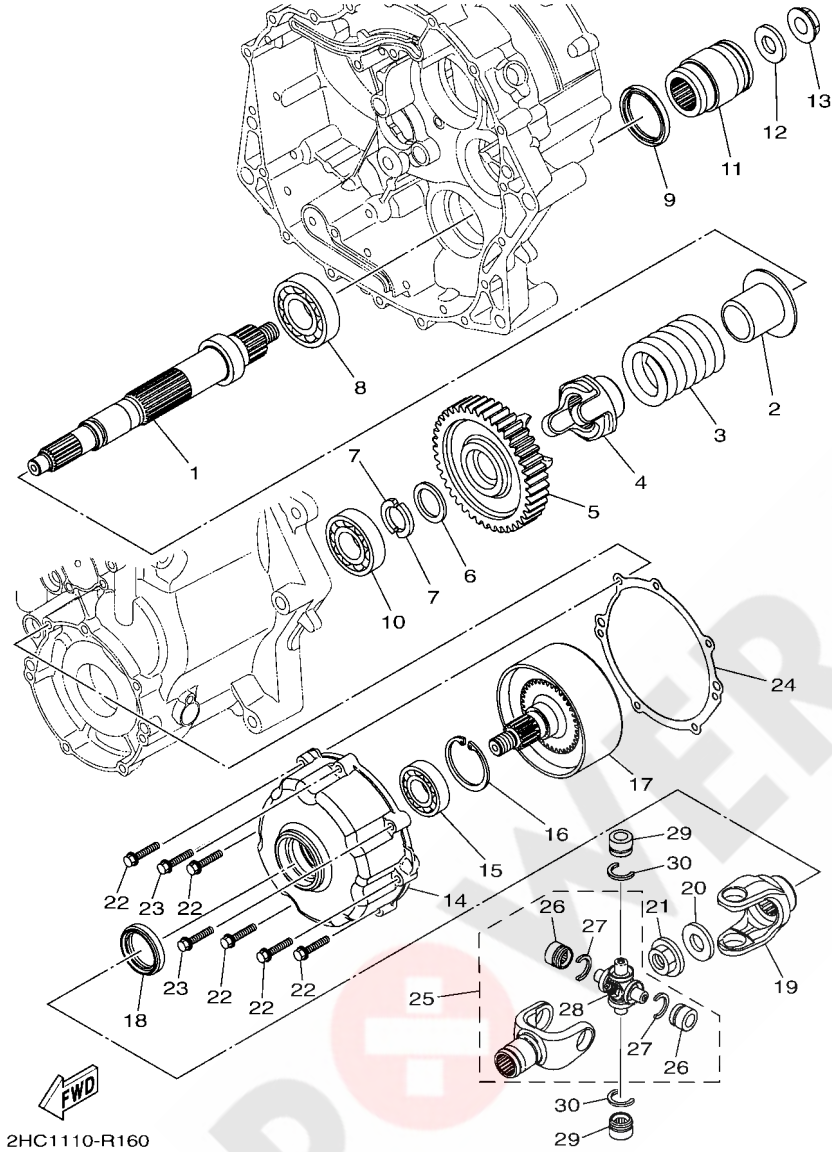
REF. NO.	PART NO.	DESCRIPTION	BAS			REMARKS
1	B5H-17541-00	CASE, TRANSFER 1	1			
2	137-13115-01	CONNECTOR, SUCTION PIPE	2			
3	90340-10003	PLUG, STRAIGHT SCREW	5			
4	90430-10148	GASKET	5			
5	95022-06010	BOLT, FLANGE	2			
6	90430-06014	GASKET	2			
7	18G-15362-00	PLUG, OIL LEVEL	1			
8	93210-21190	O-RING	1			
9	2HC-17880-00	OIL PUMP ASSY	1			
10	98702-06030	SCREW, FLAT HEAD	3			
11	90445-08040	HOSE (L1140)	1			
12	90445-08049	HOSE	1			
13	90467-08075	CLIP	2			
14	95022-06045	BOLT, FLANGE	16			
15	95022-06060	BOLT, FLANGE	5			
16	99530-10114	PIN, DOWEL	2			
17	2HC-17542-00	CASE, TRANSFER 2	1			
18	90340-12006	PLUG, STRAIGHT SCREW	1			
19	90430-12213	GASKET	1			
20	99530-08016	PIN, DOWEL	2			
21	95022-06030	BOLT, FLANGE	12			
22	90430-06014	GASKET	3			
23	2HC-15415-00	COVER, 1	1			
24	2HC-15453-00	GASKET	1			
25	2HC-13411-00	STRAINER, OIL	1			
26	93210-207A0	.O-RING	1			
27	90159-06021	SCREW, WITH WASHER	1			



B571110-S150

FIG. 15 TRANSFER

REF. NO.	PART NO.	DESCRIPTION	BAS				REMARKS
28	90119-06242	BOLT, WITH WASHER	2				
29	2HC-2147J-00	COVER, SHAFT 1	1				
30	90119-06242	BOLT, WITH WASHER	2				
31	2HC-2147K-00	COVER, SHAFT 2	1				
32	90109-06202	BOLT	4				
33	2HC-2131P-00	COVER PLATE COMP.	1				
34	2HC-17558-00	PLATE, BEARING	1				
35	90105-06187	BOLT, FLANGE	2				
36	95880-06012	BOLT, FLANGE	1				

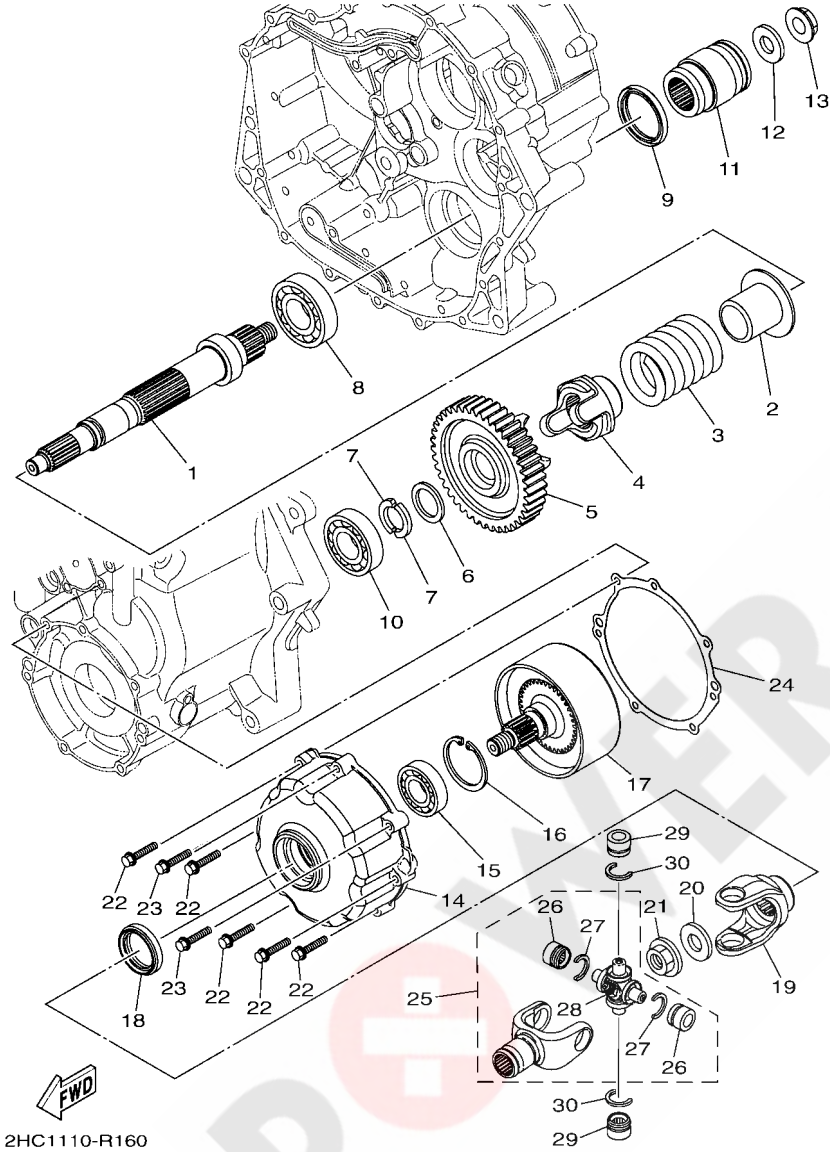


2HC1110-R160

FIG. 16 MIDDLE DRIVE GEAR

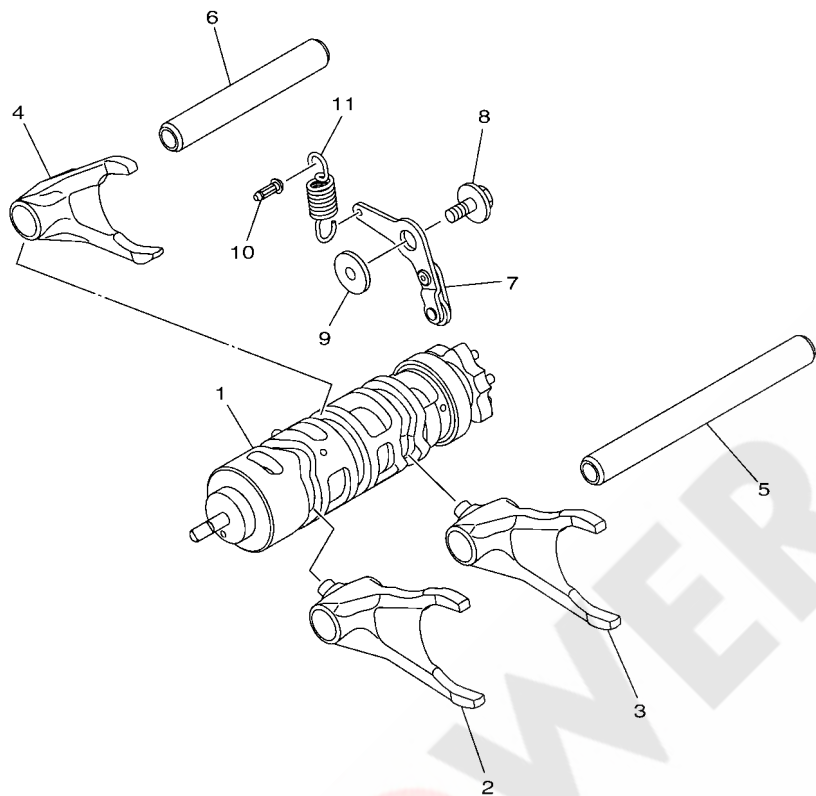
REF. NO.	PART NO.	DESCRIPTION	BAS				REMARKS
1	2HC-17523-00	SHAFT	1				
2	2HC-17524-00	HOLDER	1				
3	2HC-17528-00	SPRING, DAMPER	1				
4	2S3-17527-00	CAM, DRIVEN	1				
5	B5H-17583-00	GEAR, MIDDLE DRIVEN	1				
6	90201-27014	WASHER, PLATE	1				
7	23P-17529-00	WASHER, THRUST	2				
8	93306-20607	BEARING	1				
9	93105-45018	OIL SEAL	1				
10	93306-37218	BEARING	1				
11	2HC-17832-00	COUPLING	1				
12	90201-165H4	WASHER, PLATE	1				
13	90179-16004	NUT	1				
14	2HC-17521-00	HOUSING, BEARING	1				
15	93306-00518	BEARING	1				
16	99009-47500	CIRCLIP	1				
17	2HC-46380-00	SHAFT ASSY 1	1				
18	93102-34095	OIL SEAL	1				
19	2HC-17576-00	YOKE, JOINT 2	1				
20	90201-165H4	WASHER, PLATE	1				
21	90179-16004	NUT	1				
22	95022-06030	BOLT, FLANGE	5				
23	90105-06096	BOLT, FLANGE	2				
24	2HC-17818-00	GASKET	1				
25	2HC-46107-00	CROSS JOINT COMP. 2	1				
26	93399-99948	.BEARING	2				
27	93440-20088	.CIRCLIP	2				

FIG. 16 MIDDLE DRIVE GEAR



REF. NO.	PART NO.	DESCRIPTION	BAS				REMARKS
28	5GT-46187-00	.SPIDER	1				
29	93399-99948	BEARING	2				
30	93440-20088	CIRCLIP	2				

FIG. 17 SHIFT CAM & FORK

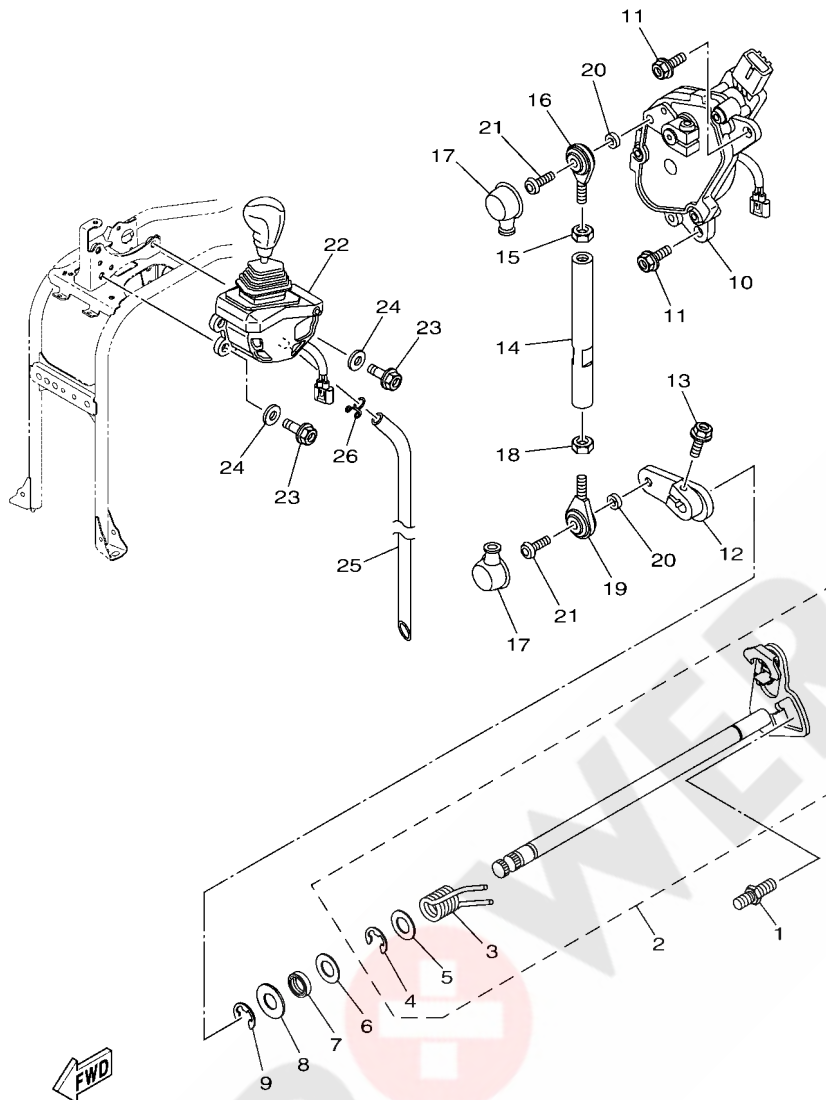


REF. NO.	PART NO.	DESCRIPTION	BAS				REMARKS
1	B57-18540-01	SHIFT CAM ASSY	1				
2	B57-18511-00	FORK, SHIFT 1	1				
3	2HC-18511-00	FORK, SHIFT 1	1				
4	2HC-18512-00	FORK, SHIFT 2	1				
5	3D8-18531-00	BAR, SHIFT FORK GUIDE 1	1				
6	3D8-18535-00	BAR, SHIFT FORK GUIDE 2	1				
7	2HC-18140-00	STOPPER LEVER ASSY	1				
8	90159-06027	SCREW, WITH WASHER	1				
9	4NX-18175-00	SPACER	1				
10	132-16346-00	HOOK, SPRING	1				
11	2HC-18144-00	HANGER, SPRING	1				



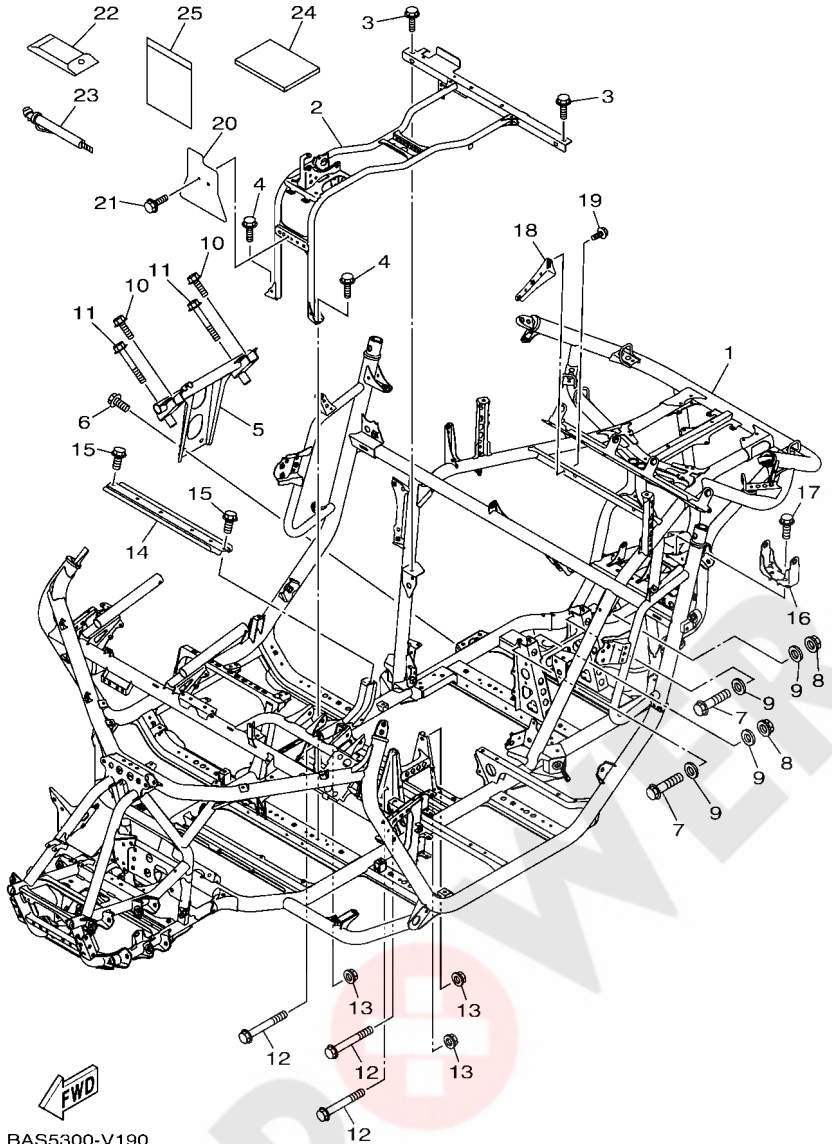
 B571110-S170

FIG. 18 SHIFT SHAFT



B5H1110-U180

REF. NO.	PART NO.	DESCRIPTION	BAS5				REMARKS
1	1D7-18127-00	STOPPER, SCREW	1				
2	2HC-18101-00	SHIFT SHAFT ASSY	1				
3	90508-32021	.SPRING, TORSION	1				
4	99002-10600	.CIRCLIP	1				
5	90201-127E1	.WASHER, PLATE	1				
6	90201-127E1	WASHER, PLATE	1				
7	93102-12224	OIL SEAL	1				
8	90201-12575	WASHER, PLATE	1				
9	99002-10600	CIRCLIP	1				
10	B57-82450-00	SHIFT ACTUATOR ASSY	1				
11	92012-08025	BOLT, BUTTON HEAD	2				
12	B57-18112-00	ARM, SHIFT	1				
13	95022-06020	BOLT, FLANGE	1				
14	B57-18115-00	ROD, SHIFT	1				
15	95304-06700	NUT	1				
16	5LV-18116-00	JOINT, ROD 1	1				
17	4XV-18154-00	COVER, DUST	2				
18	90170-06228	NUT (COUNTER CLOCKWISE)	1				
19	5LV-18117-00	JOINT, ROD 2	1				
20	90387-06372	COLLAR	2				
21	90111-06170	BOLT,HEX. SOCKET BUTTON	2				
22	B57-18300-10	SHIFTER ASSY	1				
23	90105-08182	BOLT, FLANGE	3				
24	92902-08200	WASHER	3				
25	90445-11003	HOSE (L280)	1				
26	90467-110A3	CLIP	1				



BAS5300-V190

FIG. 19 FRAME

REF. NO.	PART NO.	DESCRIPTION	BAS				REMARKS
1	BAS-F1110-00	FRAME COMP.	1				
2	B5H-F111B-00	FRAME SUB COMP.	1				
3	95812-08016	BOLT, FLANGE	2				
4	90105-08867	BOLT, FLANGE	2				
5	B5H-F110A-00	ENG. MOUNT COMP.	1				
6	95812-10016	BOLT, FLANGE	2				
7	95812-12070	BOLT, FLANGE	2				
8	90185-12002	NUT, SELF-LOCKING	2				
9	92902-12200	WASHER	4				
10	95812-08020	BOLT, FLANGE	2				
11	95812-08055	BOLT, FLANGE	2				
12	90105-10176	BOLT, FLANGE	3				
13	95602-10200	NUT, S/L FLANGE	3				
14	2HC-F1349-10	BRACKET, SEAT	1				
15	95812-08025	BOLT, FLANGE	2				
16	2HC-F194J-00	STAY, MUFFLER	1				
17	95812-10016	BOLT, FLANGE	2				
18	B5H-F115C-00	BRACKET	1				
19	95812-06016	BOLT, FLANGE	2				
20	B5H-F286H-00	COVER, FRONT	1				
21	JW1-K6179-01	BOLT, SPECIAL 1	2				
22	5B4-F8100-00	TOOL KIT	1				
23	1XD-F811A-00	GAUGE, AIR	1				
24	BAS-F8199-7A	MANUAL, OWNER'S	1				
25	1P0-F8186-01	POUCH	1				

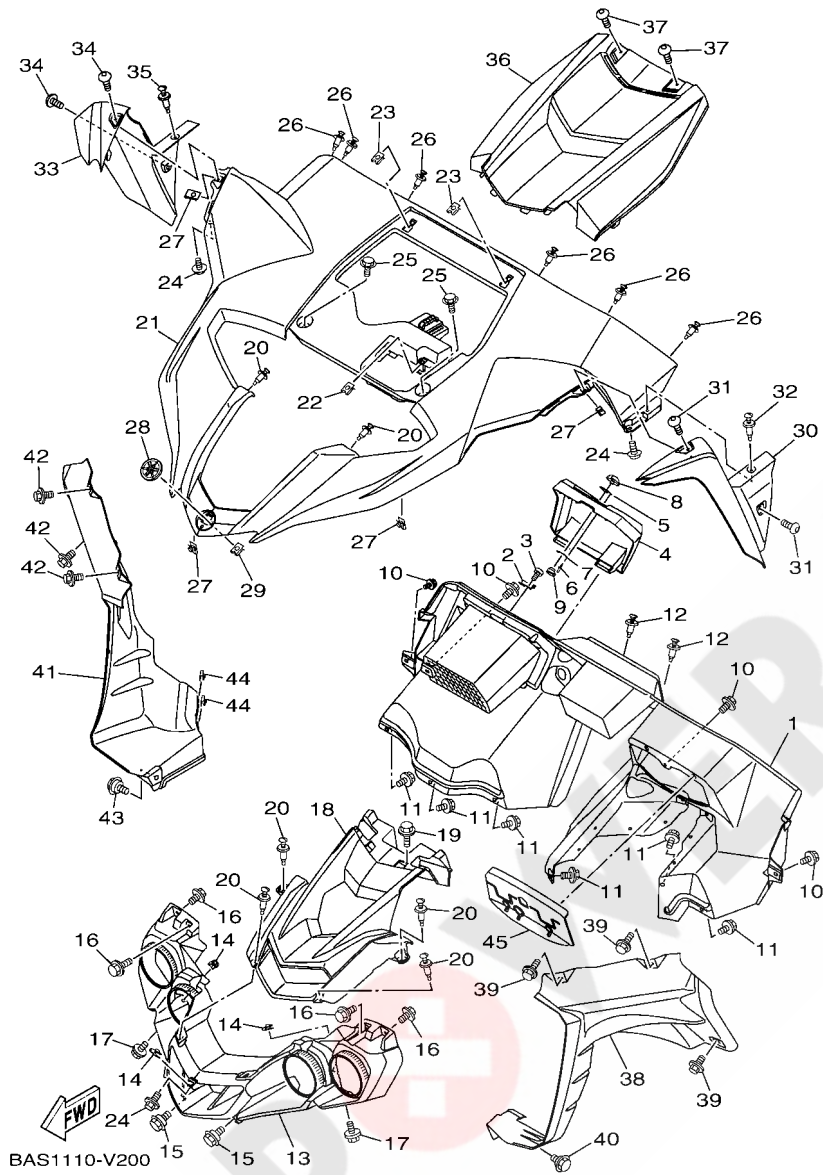
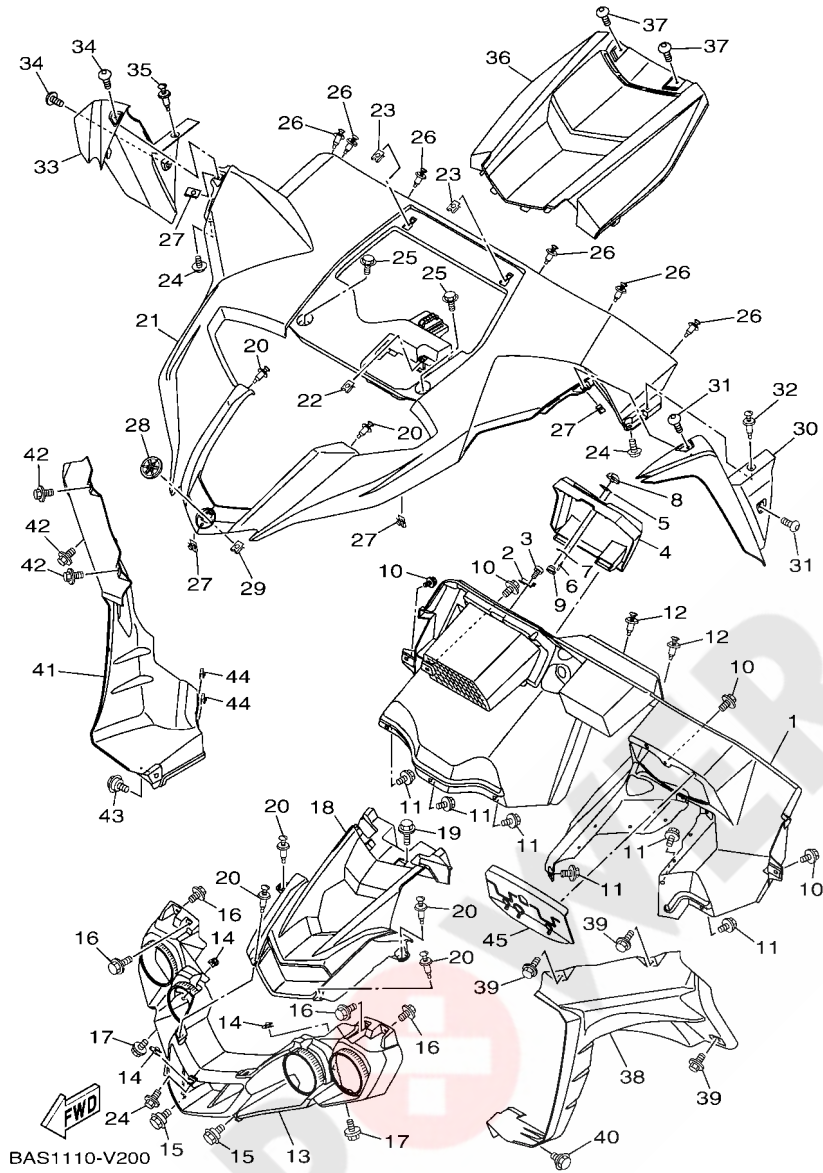


FIG. 20 FRONT FENDER

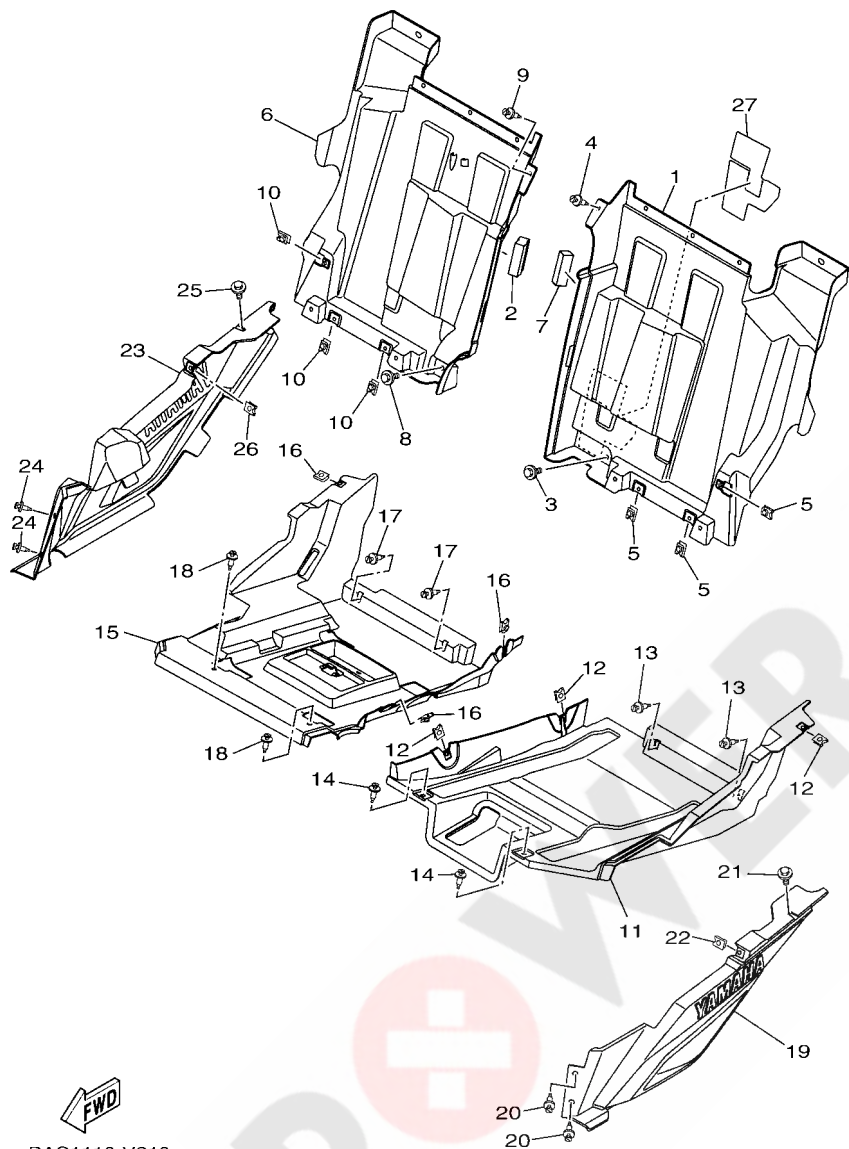
REF. NO.	PART NO.	DESCRIPTION	BAS				REMARKS
1	2HC-K7711-20	PANEL, INSTRUMENT	1				
2	B5H-F139T-00	BRACKET, COVER	1				
3	90164-04800	SCREW, TAPPING	2				
4	2HC-F160F-00	LID	1				
5	1XD-F1515-00	WASHER, SPECIAL	1				
6	90267-24143	RIVET, BLIND	2				
7	1XD-F1516-00	WASHER, SPECIAL 2	1				
8	B5H-F837G-00	LOCK 1	1				
9	B5H-F837H-00	LOCK 2	1				
10	90111-06814	BOLT,HEX. SOCKET BUTTON	4				
11	90119-06226	BOLT, WITH WASHER	6				
12	90269-07805	RIVET	2				
13	2HC-F8309-00	GRILLE, FRONT	1				
14	90183-060A6	NUT, SPRING	3				
15	90109-06202	BOLT	2				
16	90119-06226	BOLT, WITH WASHER	4				
17	90119-06226	BOLT, WITH WASHER	2				
18	B5H-F3121-10	COVER, UPPER 1	1				
19	90119-06226	BOLT, WITH WASHER	1				
20	90269-07805	RIVET	6				
21	2HC-F1510-60	FRONT FENDER COMP.	1				
22	90183-060A6	NUT, SPRING	1				
23	90183-060A6	NUT, SPRING	2				
24	90119-06226	BOLT, WITH WASHER	3				
25	90119-06226	BOLT, WITH WASHER	2				
26	90269-07805	RIVET	6				
27	90183-060A6	NUT, SPRING	4				

FIG. 20 FRONT FENDER



REF. NO.	PART NO.	DESCRIPTION	BAS				REMARKS
28	1XD-F175B-01	TUNING FORK MARK	1				
29	90183-06071	NUT, SPRING	2				
30	2HC-K8187-60	FLAP, FRONT FENDER	1				
31	90110-06090	BOLT, HEXAGON SOCKET HEAD	2				
32	90269-07805	RIVET	1				
33	2HC-K818K-60	FLAP, FRONT FENDER	1				
34	90110-06090	BOLT, HEXAGON SOCKET HEAD	2				
35	90269-07805	RIVET	1				
36	B5H-F1982-10	HOOD 1	1				
37	90110-06090	BOLT, HEXAGON SOCKET HEAD	2				
38	2HC-E246A-00	COVER 1	1				
39	90119-06226	BOLT, WITH WASHER	3				
40	90109-06202	BOLT	1				
41	2HC-E246E-00	COVER 2	1				
42	90119-06226	BOLT, WITH WASHER	3				
43	90109-06202	BOLT	1				
44	90183-060A6	NUT, SPRING	2				
45	2HC-F338G-00	COVER, SEAL 3	1				

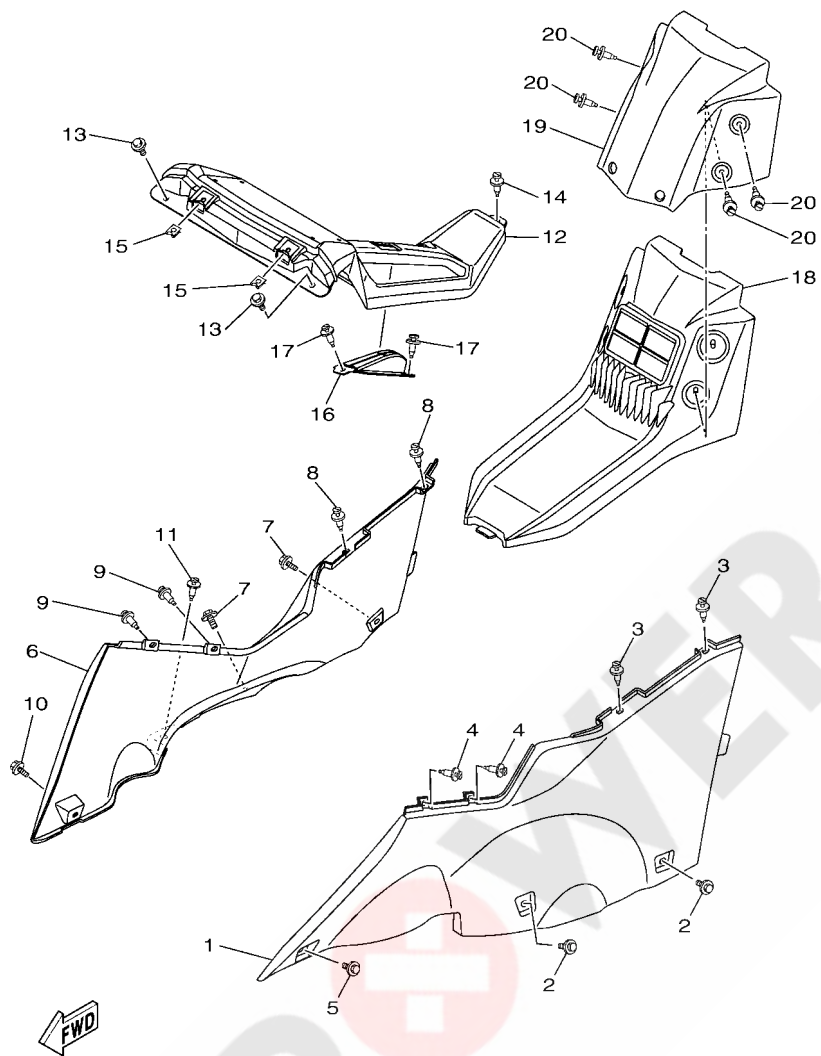
FIG. 21 SIDE COVER



BAS1110-V210

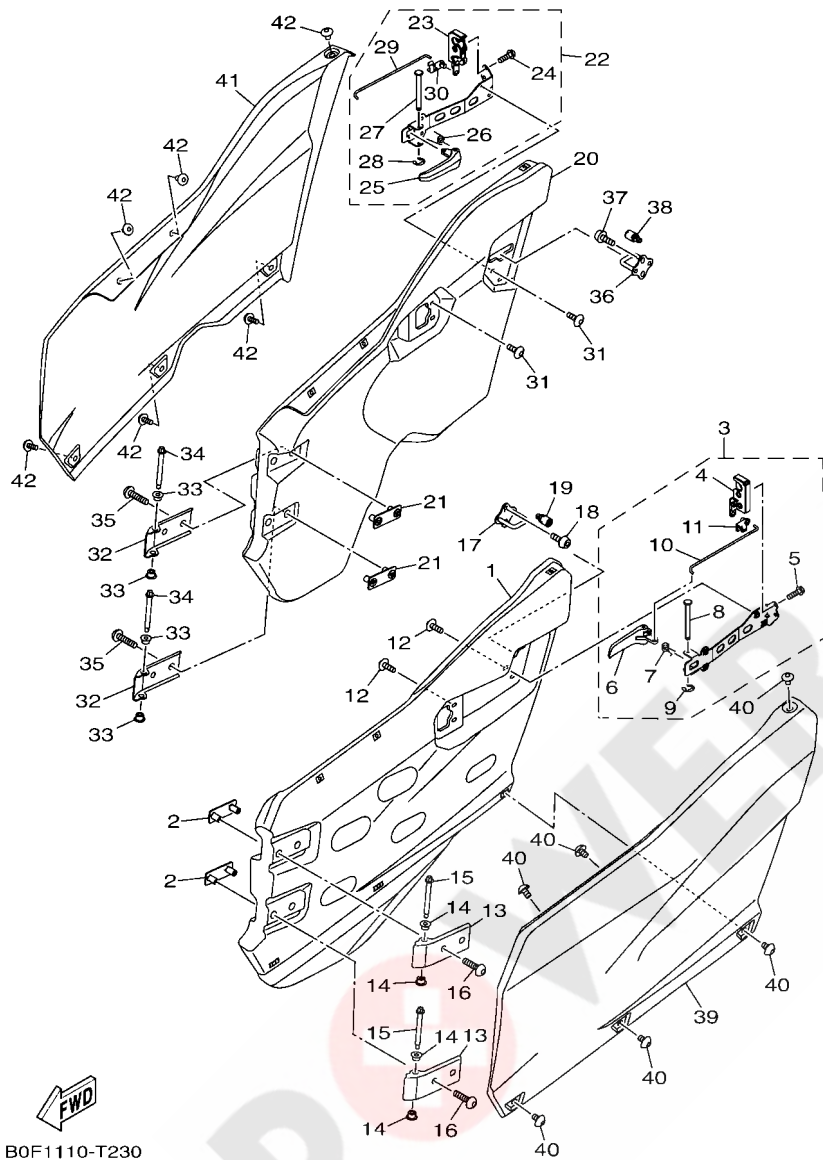
REF. NO.	PART NO.	DESCRIPTION	BAS				REMARKS
1	2HC-F2327-01	MUD GUARD 1	1				
2	90520-20007	DAMPER, PLATE	1				
3	90119-06226	BOLT, WITH WASHER	1				
4	90269-07805	RIVET	1				
5	90183-060A6	NUT, SPRING	3				
6	2HC-F2328-01	MUD GUARD 2	1				
7	90520-20006	DAMPER, PLATE	1				
8	90119-06226	BOLT, WITH WASHER	1				
9	90269-07805	RIVET	1				
10	90183-060A6	NUT, SPRING	3				
11	2HC-F84A3-00	PLATE, UNDER 1	1				
12	90183-060A6	NUT, SPRING	3				
13	90269-07805	RIVET	2				
14	90269-07805	RIVET	2				
15	2HC-F84A4-00	PLATE, UNDER 2	1				
16	90183-060A6	NUT, SPRING	3				
17	90269-07805	RIVET	2				
18	90269-07805	RIVET	2				
19	2HC-F1731-00	COVER, SIDE 3	1				
20	90269-07805	RIVET	2				
21	90119-06226	BOLT, WITH WASHER	1				
22	90183-060A6	NUT, SPRING	1				
23	2HC-F1741-00	COVER, SIDE 4	1				
24	90269-07805	RIVET	2				
25	90119-06226	BOLT, WITH WASHER	1				
26	90183-060A6	NUT, SPRING	1				
27	B5H-F174A-00	INSULATOR, SIDE COVER	1				

FIG. 22 SIDE COVER 2



B5H4110-U220

REF. NO.	PART NO.	DESCRIPTION	BAS				REMARKS
1	2HC-F837L-00	PANEL, CONSOLE 1	1				
2	90119-06226	BOLT, WITH WASHER	2				
3	90269-07805	RIVET	2				
4	90269-07805	RIVET	2				
5	90119-06226	BOLT, WITH WASHER	1				
6	2HC-F837M-00	PANEL, CONSOLE 2	1				
7	90119-06226	BOLT, WITH WASHER	2				
8	90269-07805	RIVET	2				
9	90269-07805	RIVET	2				
10	90119-06226	BOLT, WITH WASHER	1				
11	90269-07805	RIVET	1				
12	2HC-F171A-40	COVER, TOP	1				
13	90119-06226	BOLT, WITH WASHER	2				
14	90269-07805	RIVET	1				
15	90183-060A6	NUT, SPRING	2				
16	2HC-F6372-00	COVER, HANDLE LEVER 1	1				
17	90269-07805	RIVET	2				
18	2HC-F124E-40	COVER, BATTERY	1				
19	2HC-F177B-A0	LID, COVER	1				
20	90269-07805	RIVET	4				

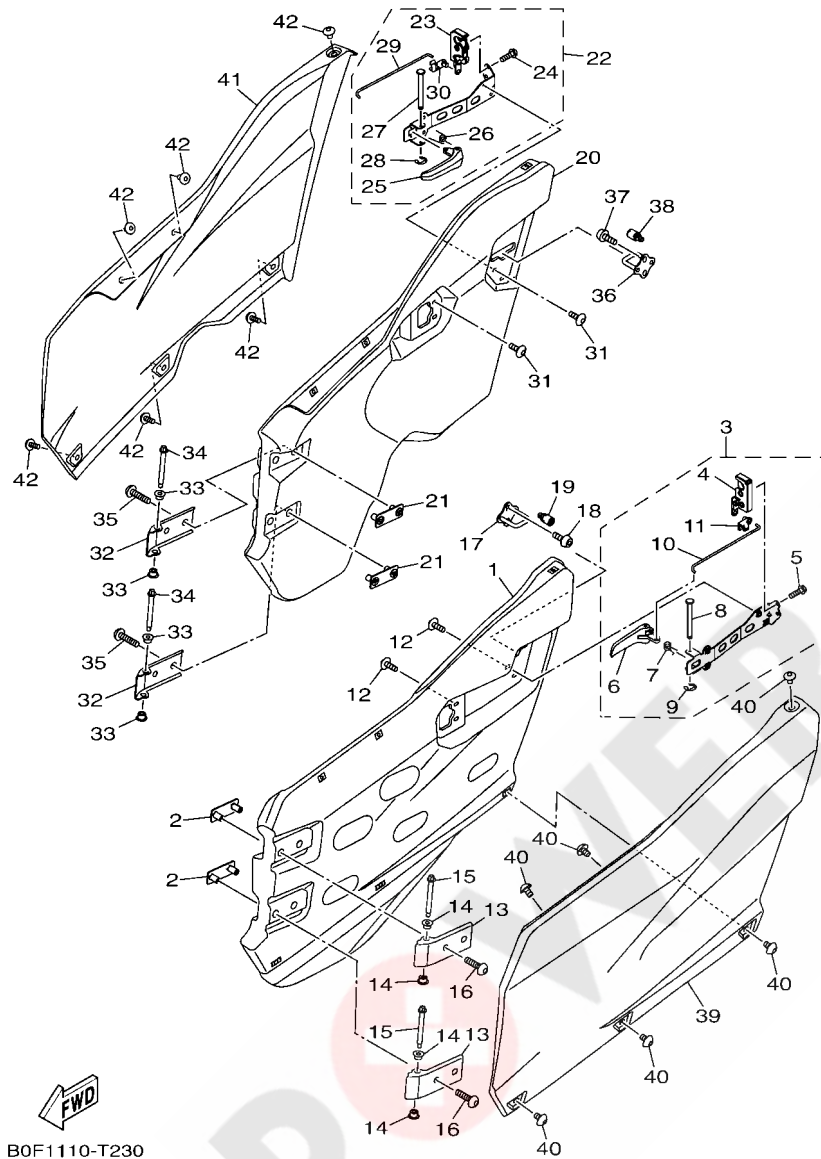


B0F1110-T230

FIG. 23 SIDE COVER 3

REF. NO.	PART NO.	DESCRIPTION	BAS5				REMARKS
1	2HC-K8557-01	PNL., DOOR FR. LH	1				
2	2HC-F1736-00	NUT,PLATE	2				
3	2HC-K7171-00	BODY, LATCH 1	1				
4	2HC-F16A0-00	.LOCK ASSY	1				
5	95812-06020	.BOLT, FLANGE	2				
6	2HC-F17N1-00	.LEVER, LATCH 1	1				
7	2HC-F1742-00	.SPRING	1				
8	90249-05801	.PIN	1				
9	99002-04600	.CIRCLIP	1				
10	2HC-F7247-00	.ROD 1	1				
11	2HC-F2805-00	.CLIP, CABLE	1				
12	90111-06086	BOLT,HEX. SOCKET BUTTON	4				
13	2HC-K8554-00	STAY, FR. DOOR 1	2				
14	2HC-F1748-00	COLLAR	4				
15	90109-068A8	BOLT	2				
16	90109-08856	BOLT	4				
17	2HC-F178J-00	LOCK	1				
18	92012-08012	BOLT, BUTTON HEAD	2				
19	2MB-F8378-00	PAD	1				
20	2HC-K8558-01	PNL., DOOR FR. RH	1				
21	2HC-F1736-00	NUT,PLATE	2				
22	2HC-K7172-00	BODY, LATCH 2	1				
23	2HC-F16B0-00	.LOCK ASSY 2	1				
24	95812-06020	.BOLT, FLANGE	2				
25	2HC-F17N1-00	.LEVER, LATCH 1	1				
26	2HC-F1742-00	.SPRING	1				
27	90249-05801	.PIN	1				

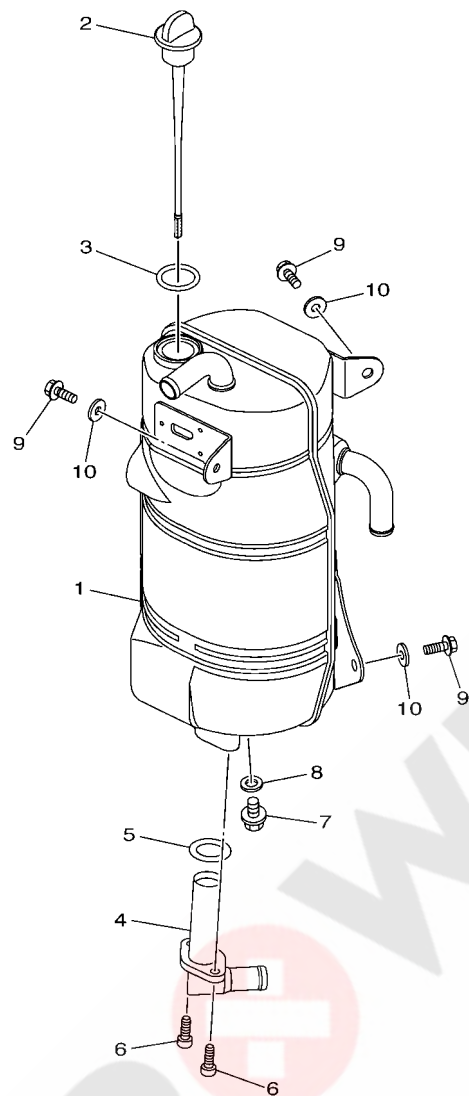
FIG. 23 SIDE COVER 3



B0F1110-T230

REF. NO.	PART NO.	DESCRIPTION	BAS				REMARKS
28	99002-04600	.CIRCLIP	1				
29	2HC-F7248-00	.ROD 2	1				
30	2HC-F2805-00	.CLIP, CABLE	1				
31	90111-06086	BOLT,HEX. SOCKET BUTTON	4				
32	2HC-K8554-00	STAY, FR. DOOR 1	2				
33	2HC-F1748-00	COLLAR	4				
34	90109-068A8	BOLT	2				
35	90109-08856	BOLT	4				
36	2HC-F178J-00	LOCK	1				
37	92012-08012	BOLT, BUTTON HEAD	2				
38	2MB-F8378-00	PAD	1				
39	2HC-F17E0-50	SIDE COVER COMP. 1	1				
40	90111-06181	BOLT,HEX. SOCKET BUTTON	6				
41	2HC-F17F0-50	SIDE COVER COMP. 2	1				
42	90111-06181	BOLT,HEX. SOCKET BUTTON	6				

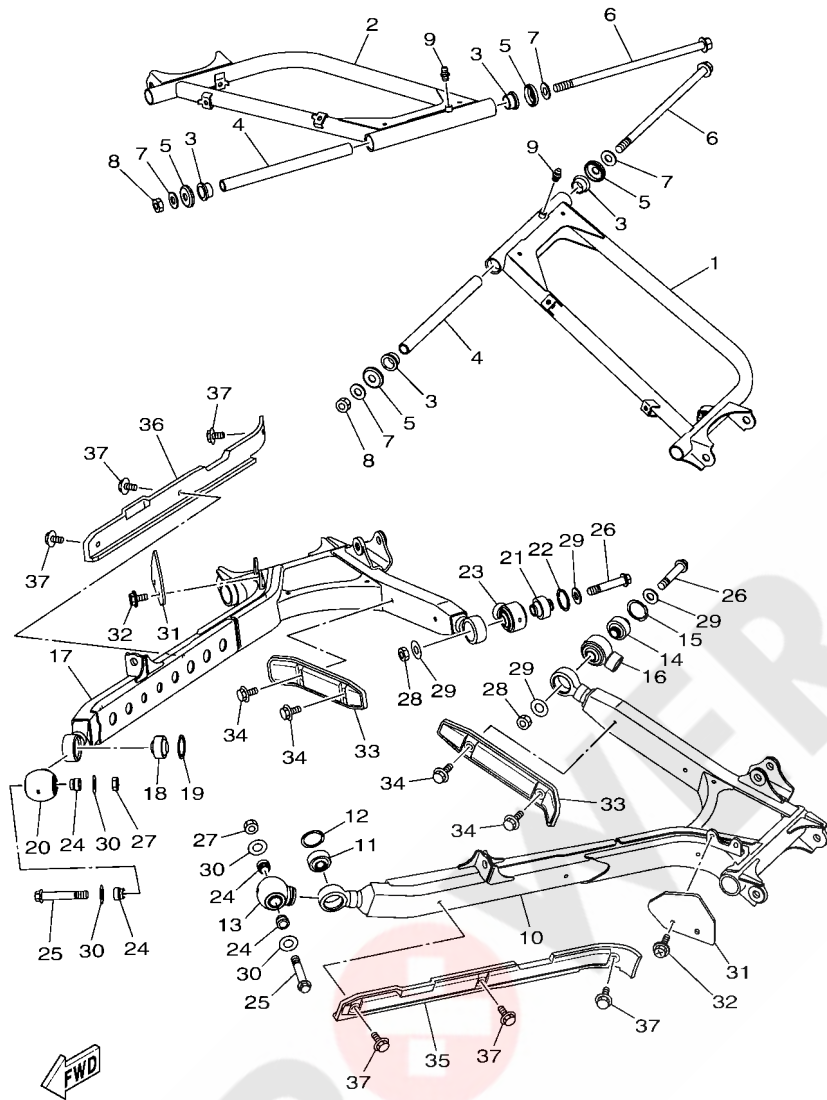
FIG. 24 OIL TANK



2HC1110-R240

REF. NO.	PART NO.	DESCRIPTION	BAS				REMARKS
1	2HC-21751-01	TANK, OIL	1				
2	2HC-85720-00	OIL LEVEL GAUGE ASSY	1				
3	93210-22006	O-RING	1				
4	8GL-13406-00	OIL PIPE COMP. 2	1				
5	93210-24001	O-RING	1				
6	91312-06016	BOLT, HEXAGON SOCKET HEAD	2				
7	95802-08012	BOLT, FLANGE	1				
8	90430-08204	GASKET	1				
9	95812-06016	BOLT, FLANGE	3				
10	90201-06102	WASHER, PLATE	3				

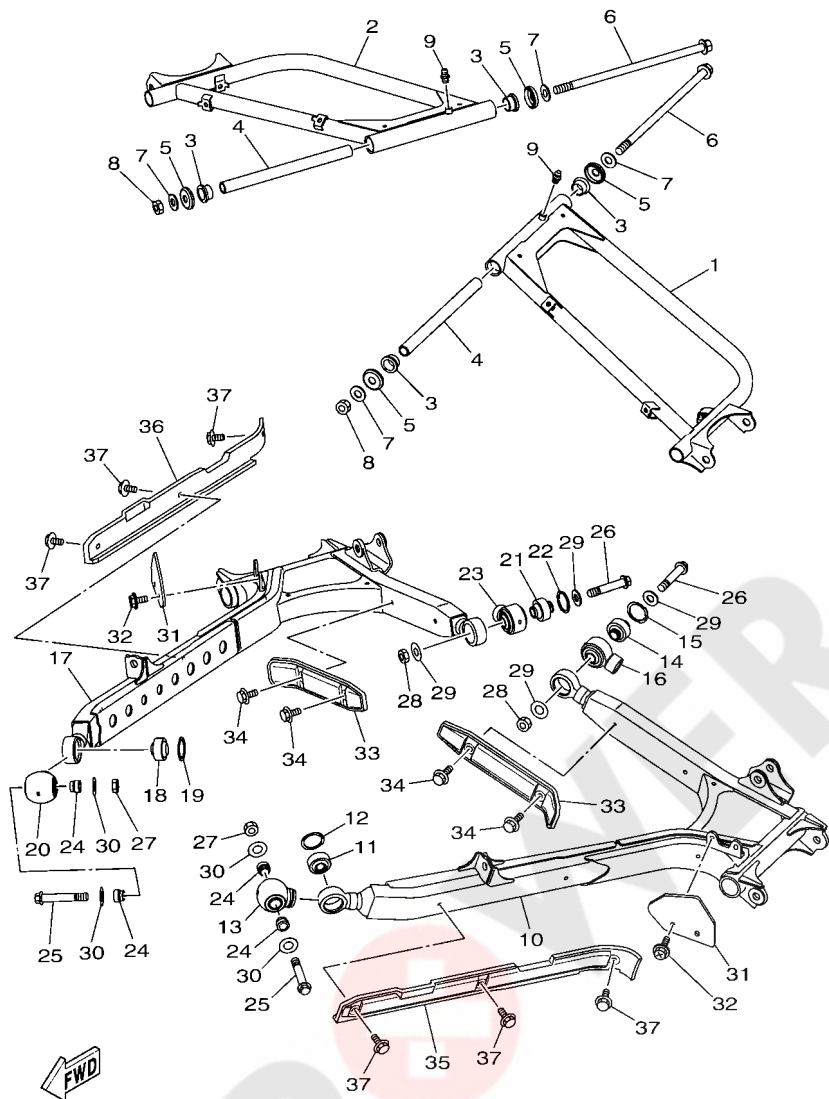
FIG. 25 REAR ARM



B0F1110-T250

REF. NO.	PART NO.	DESCRIPTION	BAS5	REMARKS
1	2HC-F2104-20	RR. UPR. ARM COMP., 1	1	
2	2HC-F2105-20	RR. UPR. ARM COMP. 2	1	
3	90381-18003	BUSH, SOLID	4	
4	90387-12062	COLLAR	2	
5	1XD-23517-00	COVER, THRUST 1	4	
6	90105-12098	BOLT, FLANGE	2	
7	90201-12045	WASHER, PLATE	4	
8	90185-12007	NUT, SELF-LOCKING	2	
9	93700-06004	NIPPLE, GREASE	2	
10	2HC-F2106-40	RR. LWR. ARM COMP., 1	1	
11	2HC-23549-00	BALL JOINT 1	1	
12	99009-35500	CIRCLIP	1	
13	2HC-23527-01	SEAL, DUST 1	1	
14	2HC-23845-00	JOINT, UNIVERSAL 2	1	
15	99009-35500	CIRCLIP	1	
16	2HC-23528-00	SEAL, DUST 2	1	
17	2HC-F2107-40	RR. LWR. ARM COMP., 2	1	
18	2HC-23549-00	BALL JOINT 1	1	
19	99009-35500	CIRCLIP	1	
20	2HC-23527-01	SEAL, DUST 1	1	
21	2HC-23845-00	JOINT, UNIVERSAL 2	1	
22	99009-35500	CIRCLIP	1	
23	2HC-23528-00	SEAL, DUST 2	1	
24	2HC-23754-00	COLLAR 1	4	
25	90105-12095	BOLT, FLANGE	2	
26	90105-12100	BOLT, FLANGE	2	
27	90185-12007	NUT, SELF-LOCKING	2	

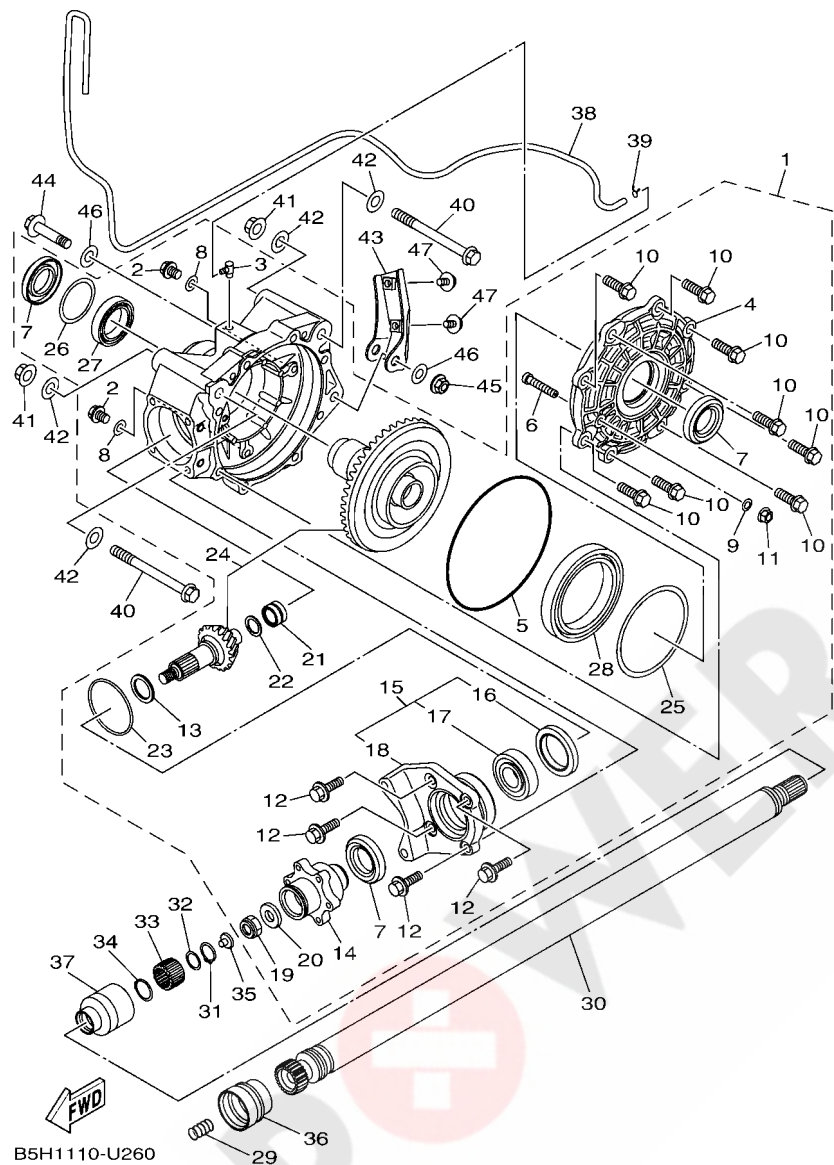
FIG. 25 REAR ARM



B0F1110-T250

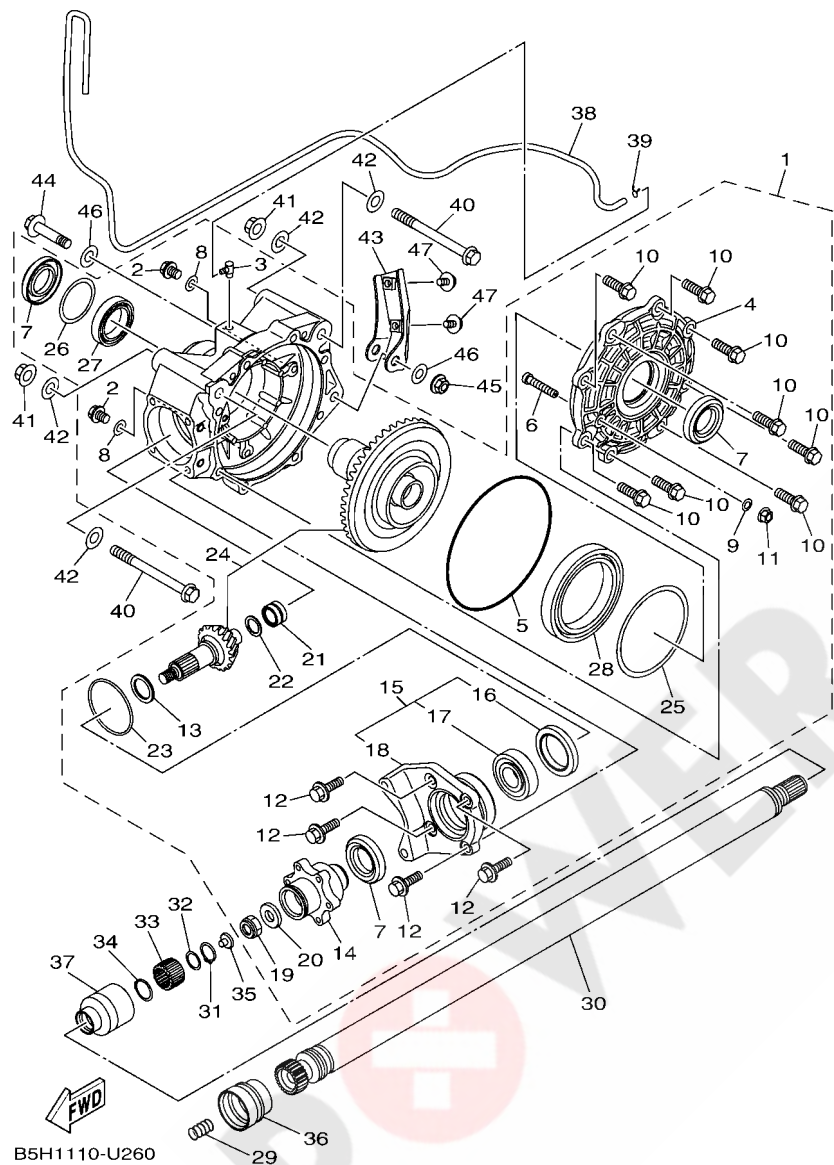
REF. NO.	PART NO.	DESCRIPTION	BAS5	REMARKS
28	90185-12007	NUT, SELF-LOCKING	2	
29	90201-12045	WASHER, PLATE	4	
30	90201-12045	WASHER, PLATE	4	
31	2HC-F2128-10	COVER, THRUST 1	2	
32	90119-06226	BOLT, WITH WASHER	4	
33	2HC-F219X-00	COVER	2	
34	JW1-K6179-01	BOLT, SPECIAL 1	4	
35	2HC-F2211-00	COVER	1	
36	2HC-F2221-00	COVER	1	
37	JW1-K6179-01	BOLT, SPECIAL 1	6	

FIG. 26 DRIVE SHAFT

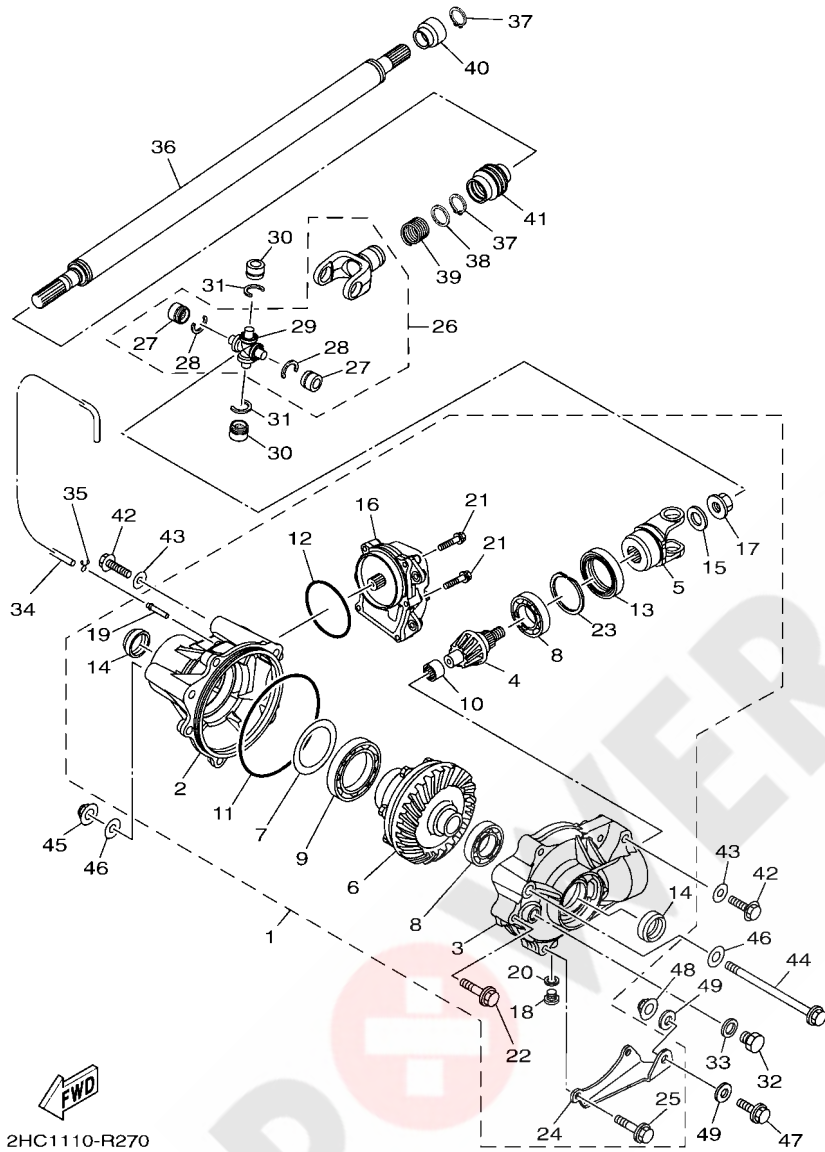


REF. NO.	PART NO.	DESCRIPTION	BAS			REMARKS
1	B5H-G6101-00	REAR AXLE GEAR CASE ASSY	1			
2	1XD-E2228-00	.BOLT	2			
3	1CT-E5371-00	.BREATHER	1			
4	2HC-G6152-00	.HOUSING, BEARING	1			
5	2HC-G613A-00	.O-RING	1			
6	2HC-G6156-00	.STOPPER, RING GEAR	1			
7	1XD-E511B-00	.OIL SEAL	3			
8	1CT-E1195-00	.GASKET	2			
9	1CT-G6819-00	.GASKET	1			
10	2HC-E2157-00	.BOLT	8			
11	1CT-E3275-00	.NUT, ADJUSTING	1			
12	1XD-G2478-00	.BOLT, LOCK PLATE	4			
13	1XD-G7531-00	.WHEEL, SPROCKET 1	1			
14	2HC-G6126-00	.COUPLING	1			
15	B5H-G6331-00	.HOUSING ASSY	1			
16	2HC-G4583-00	.NUT	1			
17	93306-30574	.BEARING	1			
18	B5H-G2134-00	.COVER	1			
19	2HC-G7579-00	.NUT	1			
20	2HC-G5677-00	.WASHER	1			
21	B5H-E1428-00	.BEARING 1	1			
22	B5H-F2149-00	.WASHER	1			
23	1XD-E1614-00	.OIL RING, PISTON	1			
24	B5H-G61A0-00	.RING GEAR SET	1			
25	2HC-G5567-00	.SHIM	1			
26	1XD-G5577-00	.SHIM	1			
27	1XD-E142B-00	.BEARING 4	1			

FIG. 26 DRIVE SHAFT



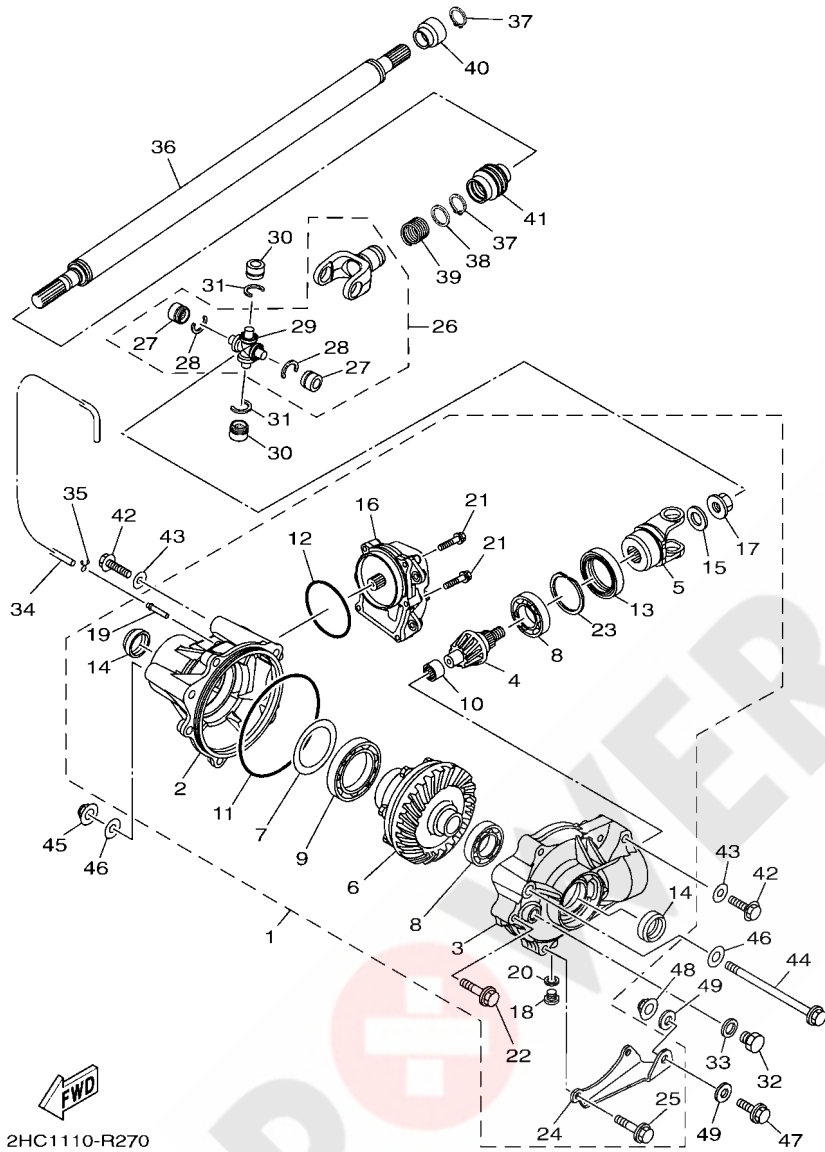
REF. NO.	PART NO.	DESCRIPTION	BAS				REMARKS
28	B5H-E1429-00	.BEARING 2	1				
29	90501-20361	SPRING, COMPRESSION	1				
30	B5H-46172-00	SHAFT, DRIVE	1				
31	99009-22400	CIRCLIP	1				
32	90201-23016	WASHER, PLATE	1				
33	2HC-46126-00	COUPLING	1				
34	93410-26067	CIRCLIP	1				
35	5KM-46559-00	DAMPER	1				
36	2HC-46137-00	SEAL 2	1				
37	B5H-46136-00	SEAL 1	1				
38	90445-074F6	HOSE (L1300)	1				
39	90467-07029	CLIP	1				
40	95812-12130	BOLT, FLANGE	2				
41	90185-12002	NUT, SELF-LOCKING	2				
42	92902-12200	WASHER	4				
43	2HC-F1981-02	BRKT., RR. AXLE	1				
44	90105-12082	BOLT, FLANGE	1				
45	90185-12002	NUT, SELF-LOCKING	1				
46	92902-12200	WASHER	2				
47	95812-10016	BOLT, FLANGE	2				



2HC1110-R270

FIG. 27 FRONT DIFFERENTIAL

REF. NO.	PART NO.	DESCRIPTION	BAS			REMARKS
1	2HC-46160-11	FRONT AXLE GEAR CASE COMP.	1			
2	1XD-46162-00	.HOUSING, BEARING 2	1			
3	2HC-46161-00	.HOUSING, SHAFT DRIVE 2	1			
4	2HC-46141-10	.PINION, DRIVE 2	1			
5	4S1-46146-01	.YOKE, JOINT 2	1			
6	2HC-46470-10	.LIMITED SLIP DIFF. ASSY	1			
7	3B4-46117-00	.SHIM, RING GEAR (0.1T)	1			UR
	3B4-46117-10	.SHIM, RING GEAR (0.2T)	1			UR
	3B4-46117-20	.SHIM, RING GEAR (0.3T)	1			UR
	3B4-46117-30	.SHIM, RING GEAR (0.4T)	1			UR
8	93306-00613	.BEARING	2			
9	3B4-46164-00	.BEARING 1	1			
10	3B4-46166-00	.BEARING 3	1			
11	3B4-46134-00	.O-RING 1	1			
12	3B4-46135-00	.O-RING 2	1			
13	93105-46001	.OIL SEAL	1			
14	3B4-46163-00	.SEAL, OIL 1	2			
15	90201-14021	.WASHER, PLATE	1			
16	1HP-4616A-00	.SERVO MOTOR COMP	1			
17	4WV-46145-10	.NUT 1	1			
18	90340-10001	.PLUG, STRAIGHT SCREW	1			
19	5GH-46293-00	.TUBE	1			
20	90430-10003	.GASKET	1			
21	95812-06014	.BOLT, FLANGE	3			
22	95812-08040	.BOLT, FLANGE	3			
23	3B4-46142-00	.RING,HOLE SNAP 1	1			
24	2HC-46114-00	.PLATE, COVER	1			

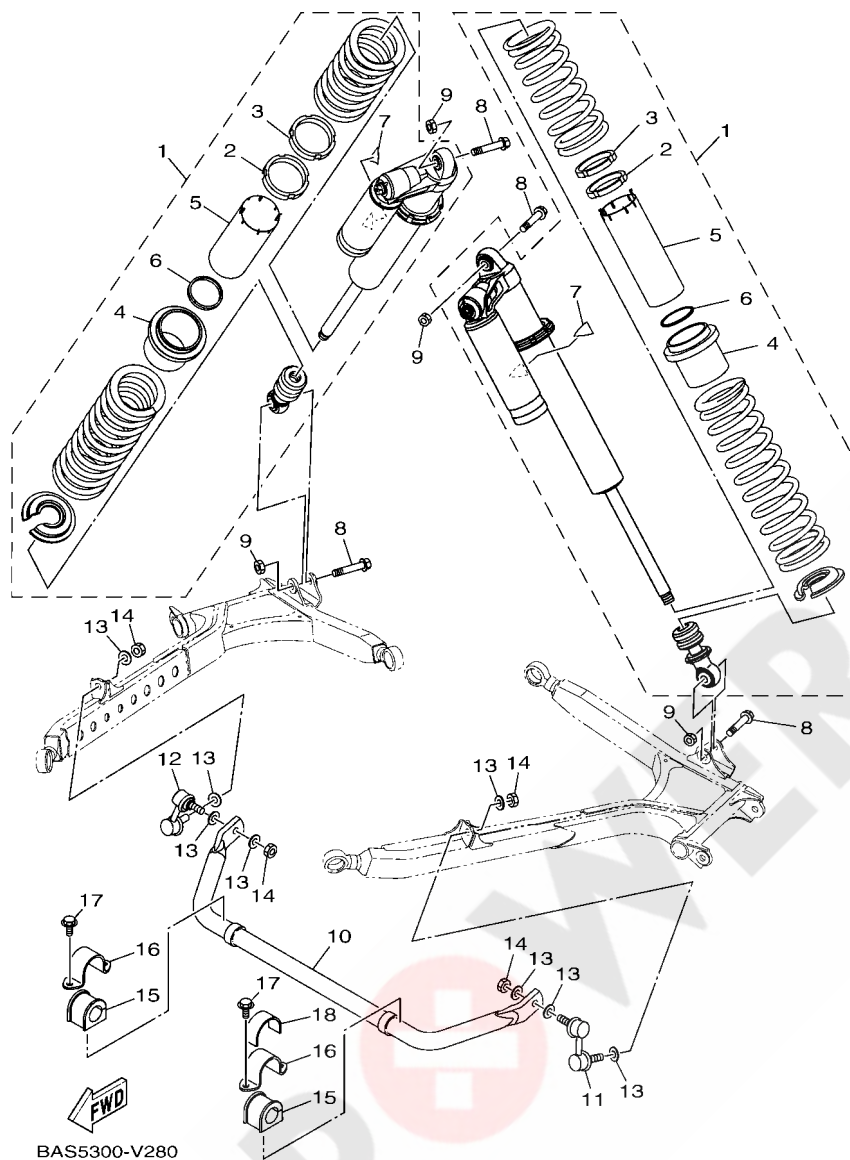


2HC1110-R270

FIG. 27 FRONT DIFFERENTIAL

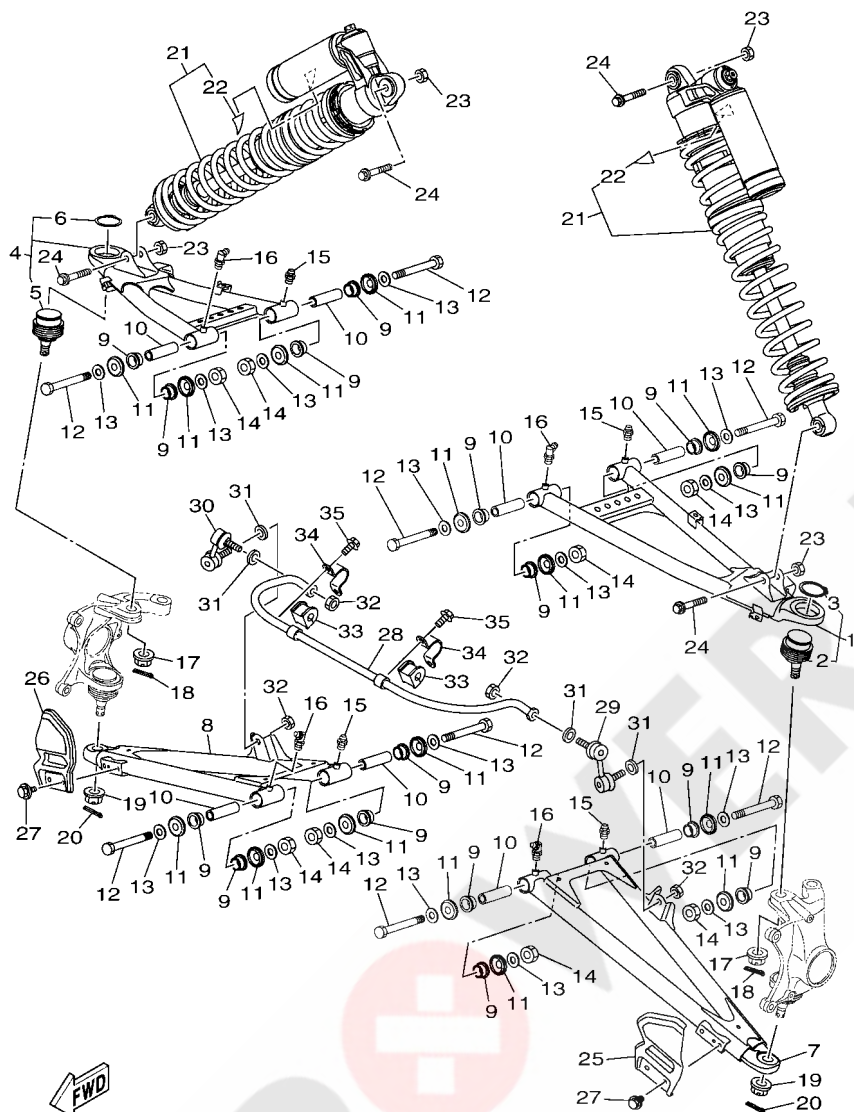
REF. NO.	PART NO.	DESCRIPTION	BAS			REMARKS
25	2HC-12228-00	.BOLT	2			
26	2HC-46107-00	CROSS JOINT COMP. 2	1			
27	93399-99948	.BEARING	2			
28	93440-20088	.CIRCLIP	2			
29	5GT-46187-00	.SPIDER	1			
30	93399-99948	BEARING	2			
31	93440-20088	CIRCLIP	2			
32	90340-14029	PLUG, STRAIGHT SCREW	1			
33	214-11198-01	GASKET	1			
34	90445-07047	HOSE (L1500)	1			
35	90467-07029	CLIP	1			
36	2HC-G6109-03	DRIVE SHAFT COMP.	1			
37	99009-19400	CIRCLIP	2			
38	90201-20266	WASHER, PLATE (T=1.0)	1			
39	90501-235L9	SPRING, COMPRESSION	1			
40	5GT-46137-00	SEAL 2	1			
41	5GT-46136-00	SEAL 1	1			
42	90105-10255	BOLT, FLANGE	2			
43	90201-10035	WASHER, PLATE	2			
44	90105-12066	BOLT, FLANGE	1			
45	90185-12002	NUT, SELF-LOCKING	1			
46	92902-12200	WASHER	2			
47	90101-10038	BOLT	1			
48	90185-10011	NUT, SELF-LOCKING	1			
49	90201-10034	WASHER, PLATE	2			

FIG. 28 REAR SUSPENSION



REF. NO.	PART NO.	DESCRIPTION	BAS				REMARKS
1	B5H-F220H-20	RR SHOCK ABSORBER COMP. 2	2				
2	2HC-F2973-00	.RING, HOLD	1				
3	2HC-F2981-00	.RING, HOLD 2	1				
4	2HC-F388D-00	.SLIDER, 1	1				
5	2HC-F2922-00	.SLEEVE	1				
6	2HC-F4629-00	.RING	1				
7	1HP-F2259-21	.LABEL, WARNING	1				
8	90105-12051	BOLT, FLANGE	4				
9	90185-12007	NUT, SELF-LOCKING	4				
10	2HC-G7491-20	BAR, STABILIZER	1				
11	2HC-2385L-00	JOINT, STABILIZER 1	1				
12	2HC-2385M-00	JOINT, STABILIZER 2	1				
13	90201-12045	WASHER, PLATE	8				
14	90185-12007	NUT, SELF-LOCKING	4				
15	2HC-F386G-01	BUSH, STABILIZER FRONT	2				
16	2HC-F386H-00	COVER, STABILIZER FRONT	2				
17	95812-10020	BOLT, FLANGE	4				
18	2HC-23421-00	PLATE, DAMPER 1	1				

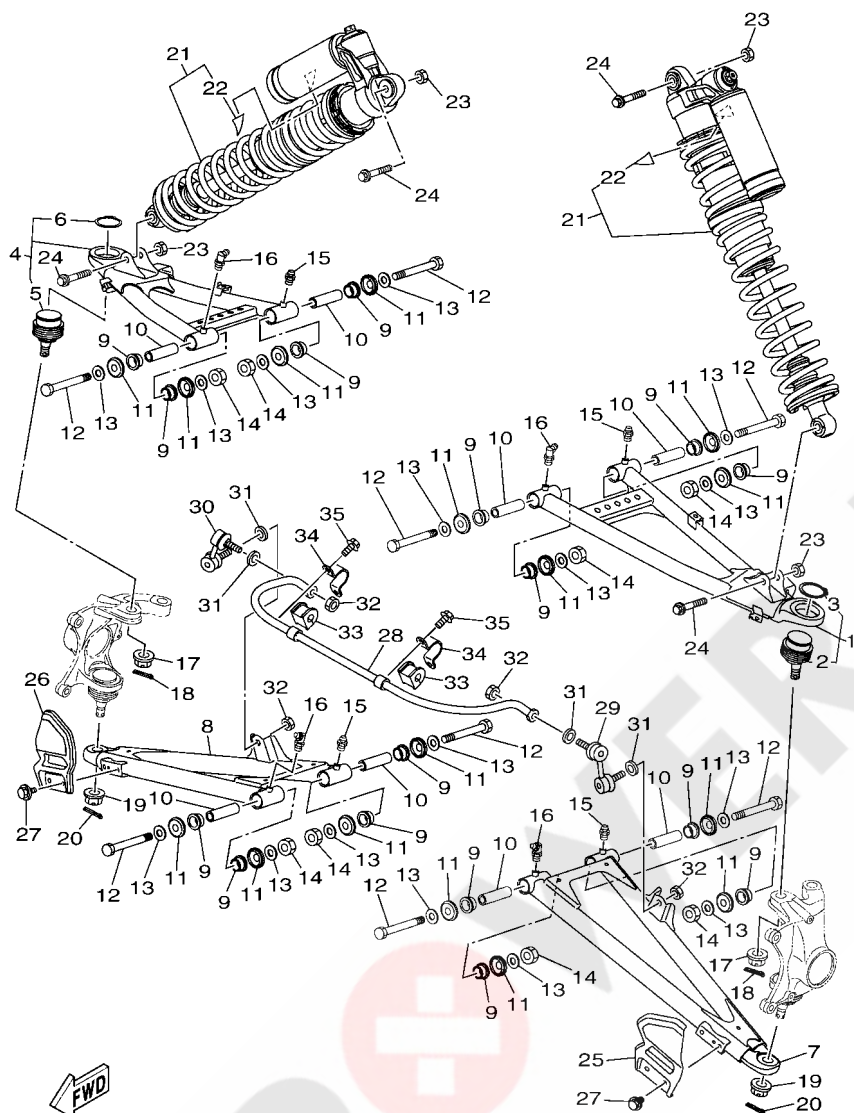
FIG. 29 FRONT SUSPENSION & WHEEL



B5H3300-U290

REF. NO.	PART NO.	DESCRIPTION	BAS			REMARKS
1	2HC-F3505-20	FRONT UPPER ARM SUB ASSY LH	1			
2	2HC-23579-00	.BALL JOINT 2	1			
3	93410-42096	.CIRCLIP	1			
4	2HC-F3506-20	FRONT UPPER ARM SUB ASSY RH	1			
5	2HC-23579-00	.BALL JOINT 2	1			
6	93410-42096	.CIRCLIP	1			
7	2HC-F3507-20	FRONT LOWER ARM SUB-ASSY (L.H)	1			
8	2HC-F3508-20	FRONT LOWER ARM SUB-ASSY (R.H)	1			
9	90381-18003	BUSH, SOLID	16			
10	90387-12063	COLLAR	8			
11	1XD-23517-00	COVER, THRUST 1	16			
12	90101-12050	BOLT	8			
13	90201-12045	WASHER, PLATE	16			
14	90185-12007	NUT, SELF-LOCKING	8			
15	93700-06004	NIPPLE, GREASE	4			
16	93700-06009	NIPPLE, GREASE	4			
17	90171-14005	NUT, CASTLE	2			
18	91402-30025	PIN, COTTER	2			
19	90171-14005	NUT, CASTLE	2			
20	91402-30025	PIN, COTTER	2			
21	BAS-F350B-20	FR. SHOCK ABSORBER ASSY. .2	2			
22	1HP-F2259-21	.LABEL, WARNING	1			
23	90185-10012	NUT, SELF-LOCKING	4			
24	90105-10283	BOLT, FLANGE	4			
25	2HC-F3123-00	COVER, UNDER 1	1			
26	2HC-F3133-00	COVER, UNDER 2	1			
27	90119-06212	BOLT, WITH WASHER	4			

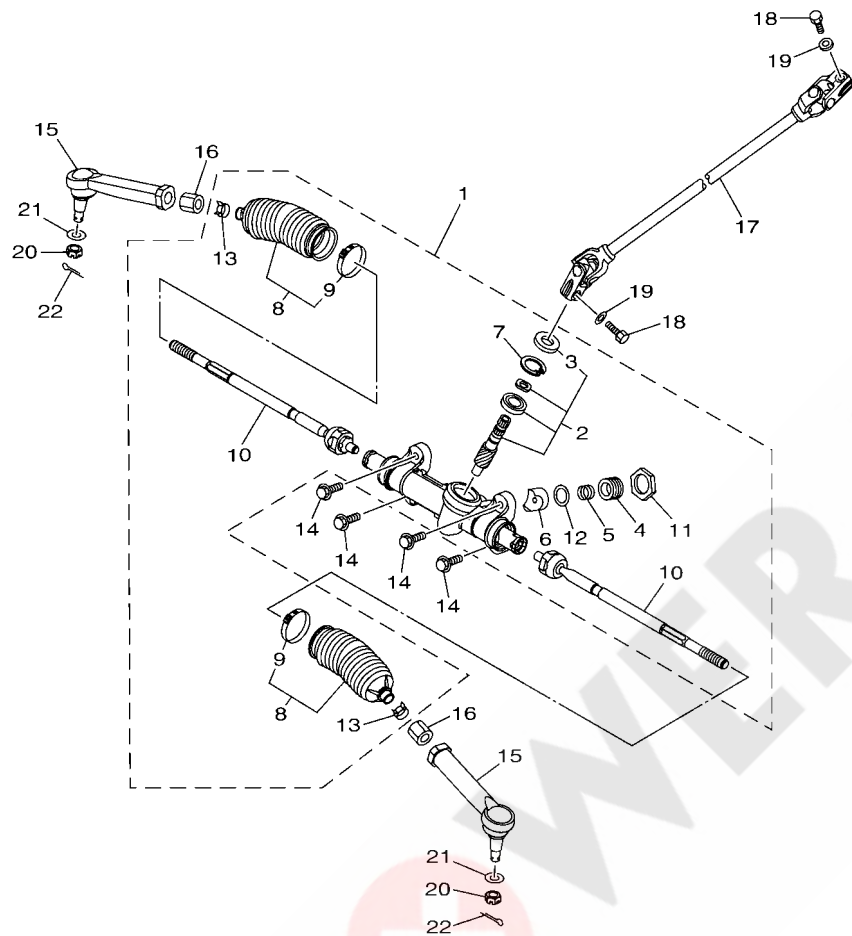
FIG. 29 FRONT SUSPENSION & WHEEL



B5H3300-U290

REF. NO.	PART NO.	DESCRIPTION	BAS5	REMARKS
28	8GN-2386E-00	BAR, STABILIZER FRONT	1	(14MM)
29	16B-2385L-10	JOINT, STABILIZER 1	1	
30	16B-2385M-10	JOINT, STABILIZER 2	1	
31	90201-10035	WASHER, PLATE	4	
32	90185-10012	NUT, SELF-LOCKING	4	
33	2HC-F3583-00	BUSH	2	
34	2HC-F386B-00	BRKT., STABILIZER FR.	2	
35	95812-08014	BOLT, FLANGE	4	

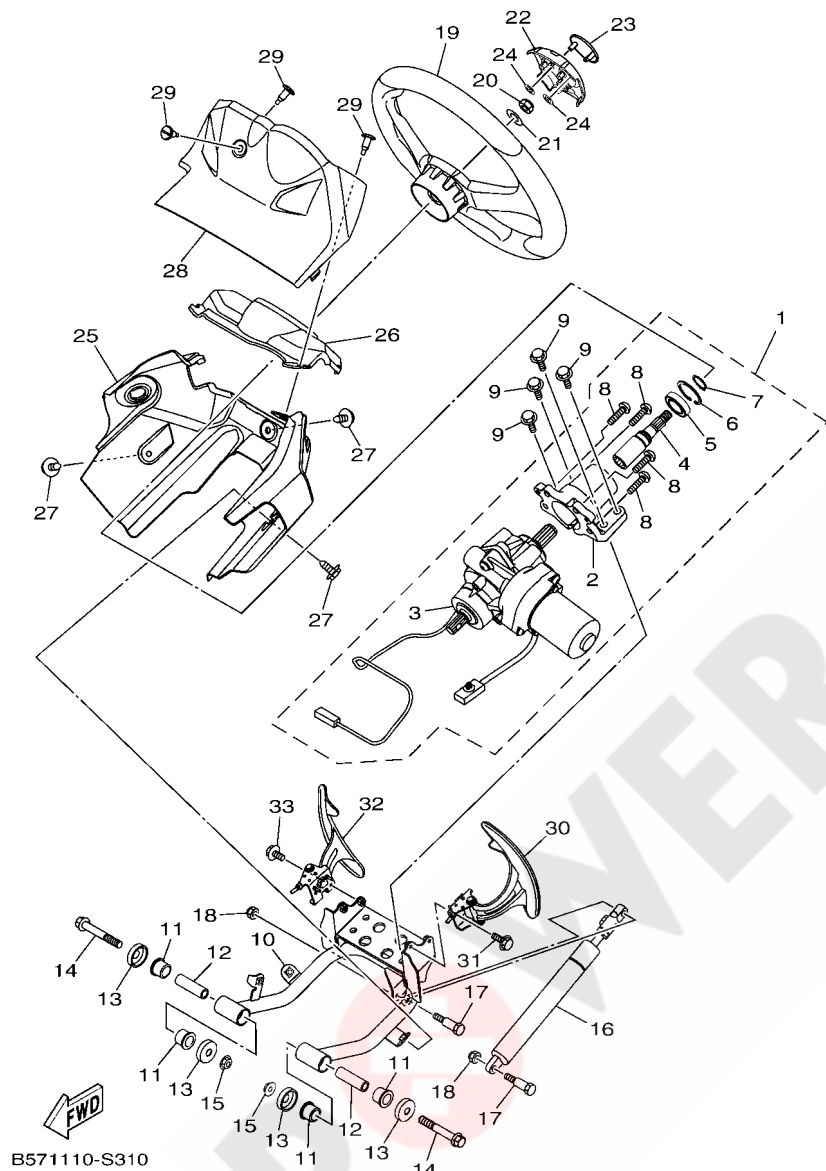
FIG. 30 STEERING



REF. NO.	PART NO.	DESCRIPTION	BAS				REMARKS
1	2HC-F3400-02	STEERING ASSY	1				
2	2HC-F38G0-00	.STEERING PINION SET	1				
3	1XD-F3844-00	..SEAL	1				
4	1XD-F387G-00	.COVER, ADJUST	1				
5	1XD-F387K-00	.SPRING, PRESSURE	1				
6	1XD-F387F-00	.PAD, PRESSURE	1				
7	1XD-F387J-00	.RING, STOPPER	1				
8	1XD-F1208-00	.SEAL SET, 1	2				
9	1XD-F3489-00	..BAND	1				
10	2HC-F38H0-00	.RACK END SET	2				
11	1XD-F178K-00	.LOCK ASSY	1				
12	1XD-F3165-00	.WASHER, FELT	1				
13	1XD-F3447-00	.CLIP	2				
14	90105-10348	BOLT, FLANGE	4				
15	2HC-23841-00	JOINT, UNIVERSAL 1	2				
16	2HC-F3833-00	NUT 1	2				
17	2HC-F3840-00	STEERING SHAFT ASSY	1				
18	91312-08025	BOLT, HEXAGON SOCKET HEAD	2				
19	90201-083P5	WASHER, PLATE	2				
20	90171-12001	NUT, CASTLE	2				
21	90201-12045	WASHER, PLATE	2				
22	91402-20020	PIN, COTTER	2				

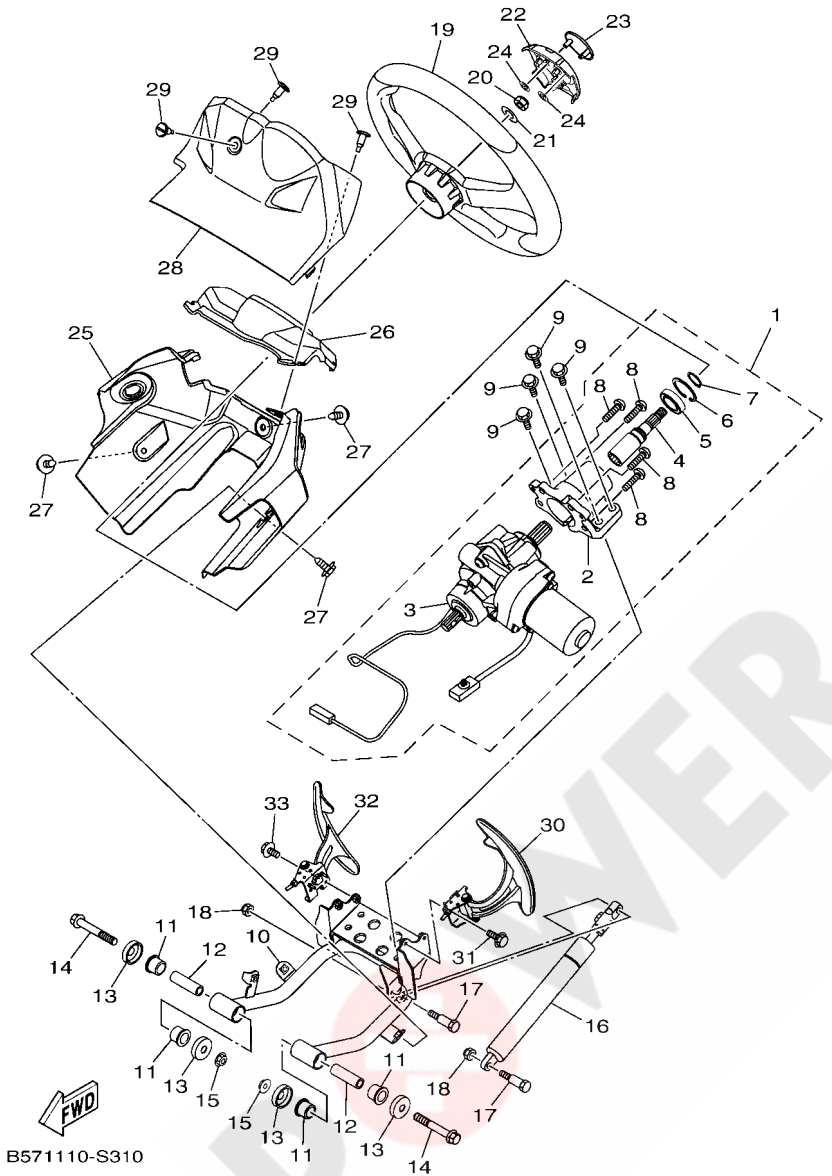
 B571110-S300

FIG. 31 STEERING 2



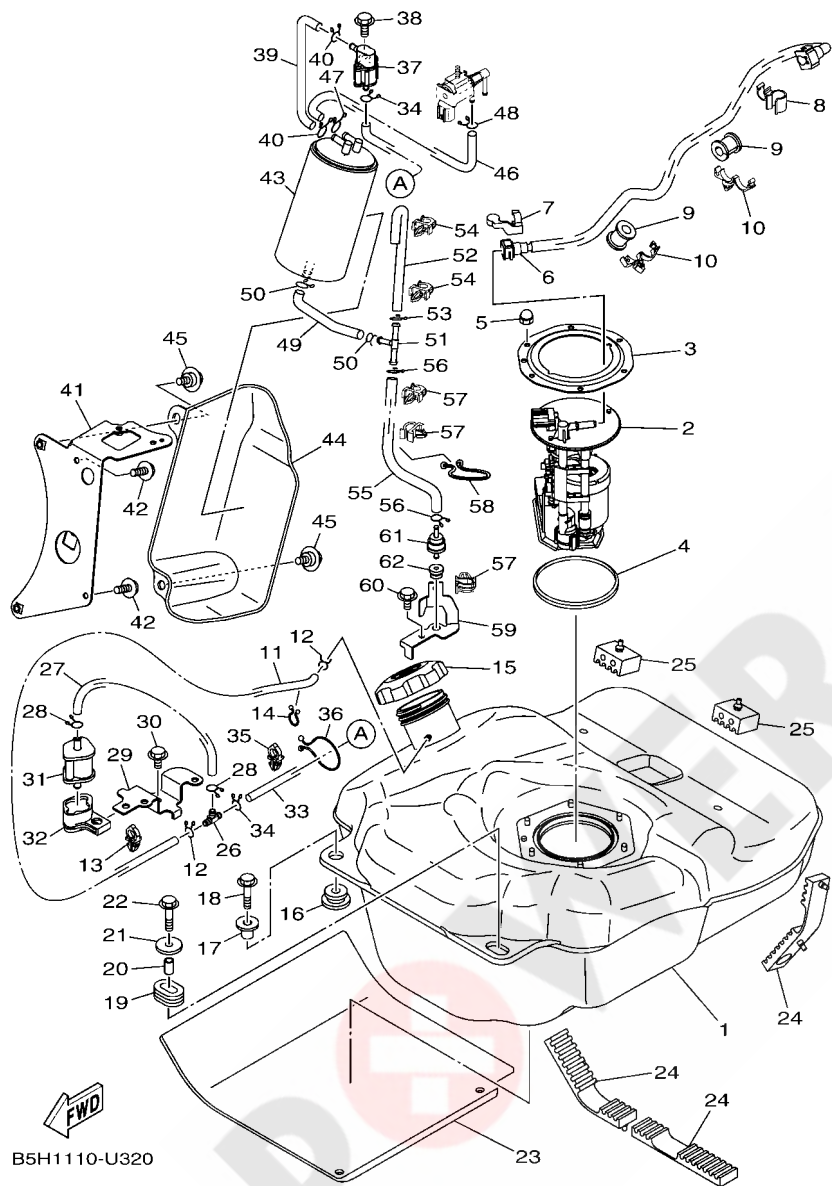
REF. NO.	PART NO.	DESCRIPTION	BAS5				REMARKS
1	2HC-23810-01	STEERING COLUMN ASSY	1				
2	2HC-2254G-00	.SUPT., STRG. HSG.	1				
3	2HC-238B0-01	.POWER STRG. ACTUATOR ASSY	1				
4	2HC-23849-00	.SHAFT 1	1				
5	93306-97201	.BEARING	1				
6	99009-40500	.CIRCLIP	1				
7	99009-22400	.CIRCLIP	1				
8	92012-08030	.BOLT, BUTTON HEAD	4				
9	95812-08025	BOLT, FLANGE	4				
10	B57-F3870-00	STEERING GATE COMP.	1				
11	90381-15088	BUSH, SOLID	4				
12	90387-10111	COLLAR	2				
13	1UY-23517-01	COVER, THRUST 1	4				
14	90105-10267	BOLT, FLANGE	2				
15	95602-10200	NUT, S/L FLANGE	2				
16	2HC-F3855-00	SPRING, DAMPER	1				
17	90109-06255	BOLT	2				
18	95702-06300	NUT, NYLON	2				
19	2HC-F3838-02	WHEEL, STEERING	1				
20	90185-12008	NUT, SELF-LOCKING	1				
21	92902-12200	WASHER	1				
22	2HC-F3818-00	COVER, STEERING	1				
23	1XD-F175B-01	TUNING FORK MARK	1				
24	90183-06071	NUT, SPRING	2				
25	B57-F387G-00	COVER, ADJUST	1				
26	B57-F2865-00	COVER, FRONT	1				
27	90119-06226	BOLT, WITH WASHER	3				

FIG. 31 STEERING 2



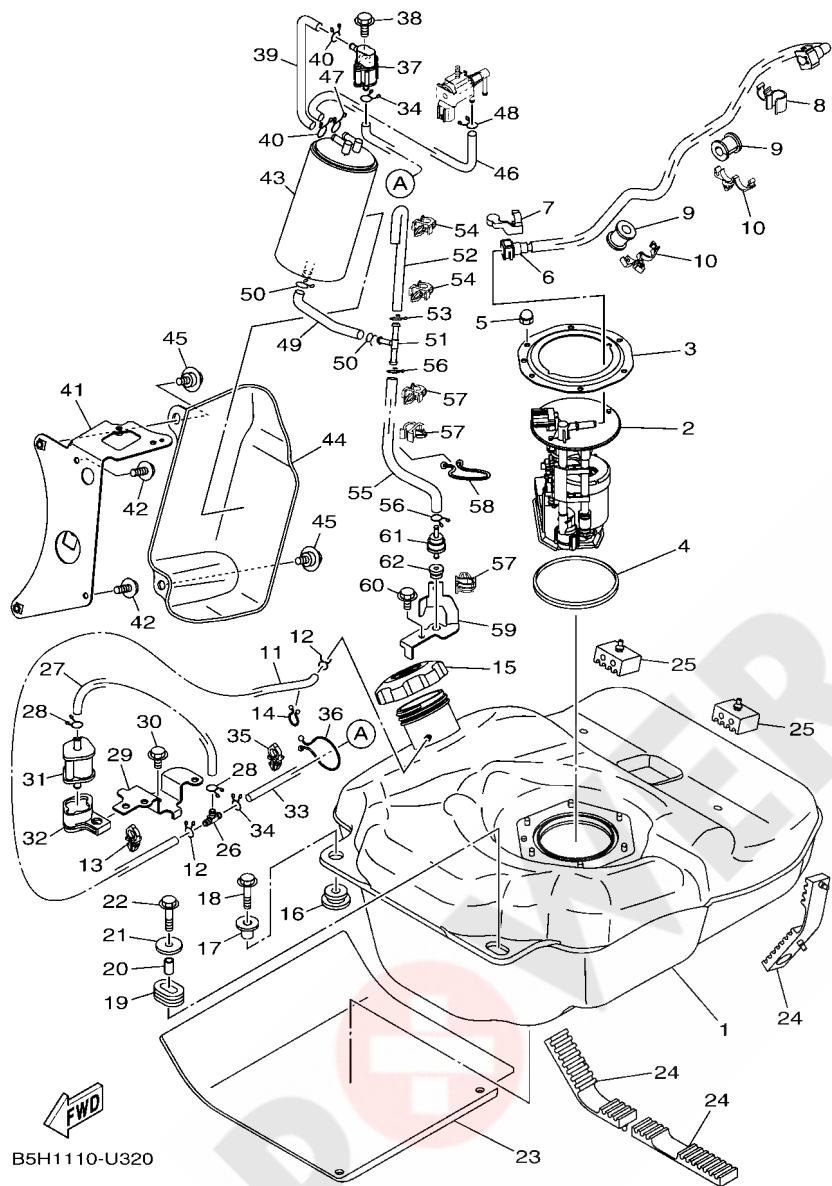
REF. NO.	PART NO.	DESCRIPTION	BAS5				REMARKS
28	2HC-H3559-01	COVER, METER	1				
29	90269-07805	RIVET	3				
30	B57-2380A-10	PADDLE SHIFT ASSY. ,1	1				
31	95812-06010	BOLT, FLANGE	2				
32	B57-2380B-10	PADDLE SHIFT ASSY. ,2	1				
33	95812-06010	BOLT, FLANGE	2				

FIG. 32 FUEL TANK



REF. NO.	PART NO.	DESCRIPTION	BAS				REMARKS
1	2HC-F4110-00	FUEL TANK COMP.	1				
2	B16-13907-02	FUEL PUMP COMP.	1				
3	3B4-24491-00	BRACKET, FUEL PUMP	1				
4	1S3-24486-00	O-RING	1				
5	95302-06800	NUT, CROWN	6				
6	2HC-13971-02	PIPE, FUEL 1	1				
7	90464-14004	CLAMP	1				
8	90464-15007	CLAMP	1				
9	90480-20543	GROMMET	2				
10	90464-20010	CLAMP	2				
11	B5H-F41B5-00	TUBE 2	1				
12	90467-09006	CLIP	2				
13	90464-10833	CLAMP	1				
14	90464-12M48	CLAMP	1				
15	2P5-24610-00	CAP ASSY	1				
16	90480-18016	GROMMET	1				
17	90387-075H4	COLLAR	1				
18	95802-06030	BOLT, FLANGE	1				
19	90480-01400	GROMMET	1				
20	90387-061V1	COLLAR	1				
21	90201-065G8	WASHER, PLATE	1				
22	95802-06030	BOLT, FLANGE	1				
23	2HC-F414H-00	DAMPER, PLATE 1	1				
24	2HC-F4181-00	DAMPER, LOCATING 1	3				
25	2MB-F4182-00	DAMPER, LOCATING 2	2				
26	90413-06031	WAY 3	1				
27	90445-09028	HOSE	1				

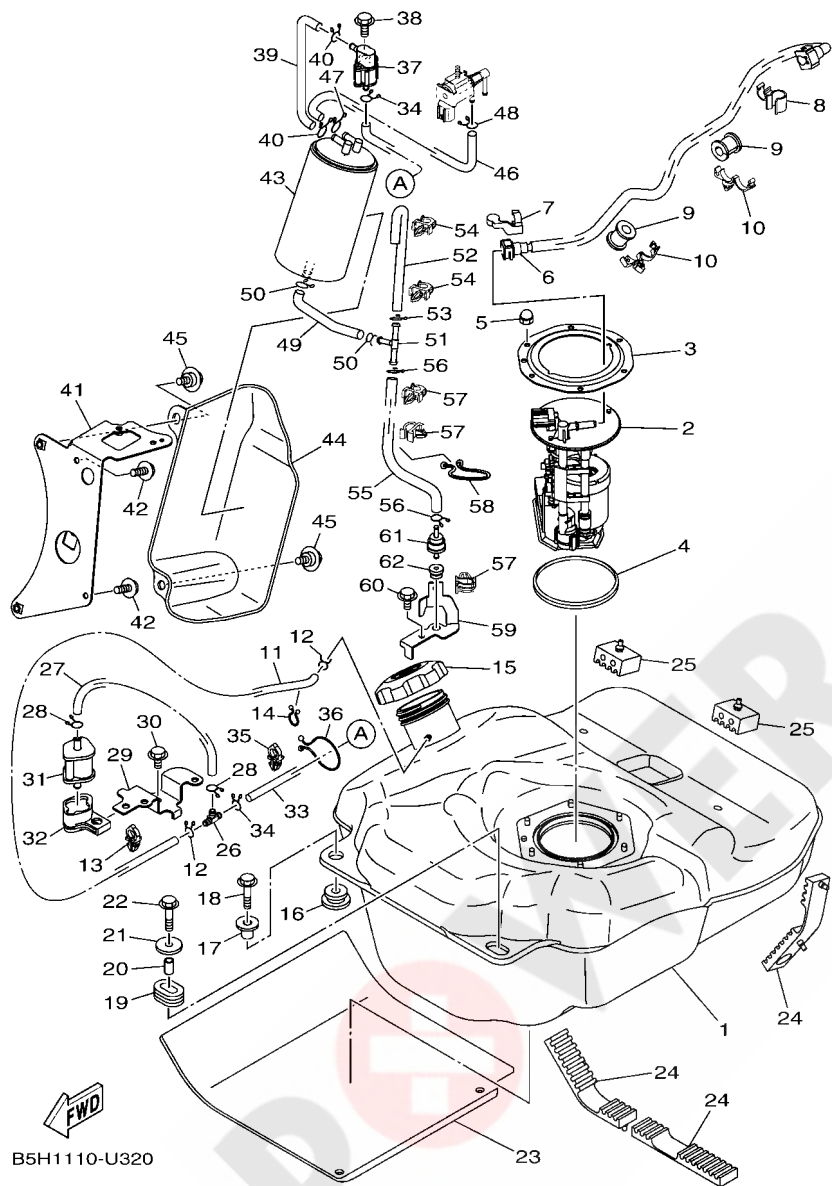
FIG. 32 FUEL TANK



B5H1110-U320

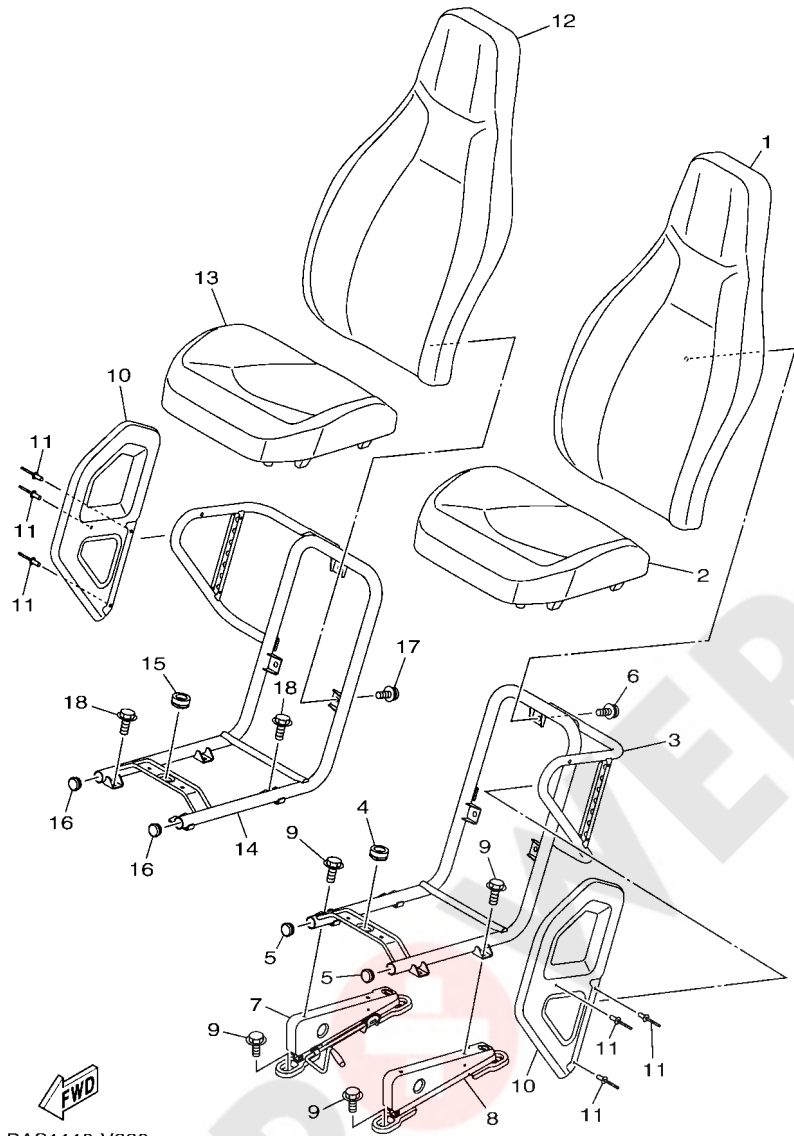
REF. NO.	PART NO.	DESCRIPTION	BAS				REMARKS
28	90467-09006	CLIP	2				
29	B5H-F8468-00	BRKT. 7	1				
30	95802-06012	BOLT, FLANGE	1				
31	3B4-24380-11	PIPE JOINT ASSY	1				
32	3B4-24398-00	BAND 1	1				
33	90445-09837	HOSE (L1220)	1				
34	90467-09006	CLIP	2				
35	90464-10833	CLAMP	1				
36	90464-37257	CLAMP	1				
37	28P-24380-00	PIPE JOINT ASSY	1				
38	95802-06014	BOLT, FLANGE	1				
39	B5H-F247A-00	HOSE 1	1				
40	90467-09006	CLIP	2				
41	B5H-F4190-02	CANISTER HOLDER ASSY	1				
42	95802-06012	BOLT, FLANGE	2				
43	7CC-F4170-01	CANISTER ASSY	1				
44	B5H-F419E-00	COVER, CANISTER	1				
45	90109-06202	BOLT	2				
46	B5H-F247C-00	HOSE 3	1				
47	90467-09006	CLIP	1				
48	90467-10041	CLIP	1				
49	90445-11052	HOSE (L170)	1				
50	90467-10041	CLIP	2				
51	90413-08012	WAY 3	1				
52	B5H-F247D-00	HOSE 4	1				
53	90467-10041	CLIP	1				
54	90464-14M55	CLAMP	2				

FIG. 32 FUEL TANK



B5H1110-U320

REF. NO.	PART NO.	DESCRIPTION	BAS				REMARKS
55	90445-11053	HOSE (L400)	1				
56	90467-10041	CLIP	2				
57	90464-14M55	CLAMP	3				
58	90464-44109	CLAMP	1				
59	B5H-F2957-00	BRACKET, HOSE	1				
60	95802-06012	BOLT, FLANGE	1				
61	BG4-24362-00	VALVE, CHECK 1	1				
62	90480-10003	GROMMET	1				

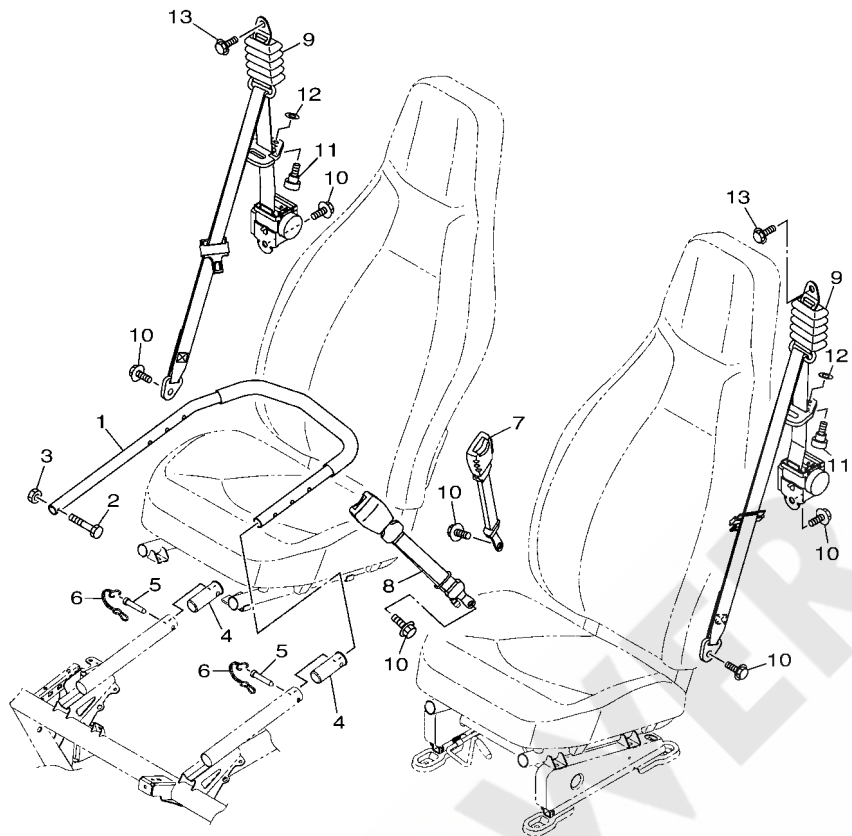


BAS1110-V330

FIG. 33 SEAT

REF. NO.	PART NO.	DESCRIPTION	BAS	REMARKS
1	BAS-F4790-10	SEAT BACK ASSY	1	
2	BAS-F4700-10	SEAT ASSY	1	
3	2HC-F473C-00	FRAME, SEAT 1	1	
4	1XD-F4742-00	GROMMET	1	
5	2HC-F2417-00	PLUG	2	
6	2PG-F4739-00	BOLT, SEAT FITTING	3	
7	BAS-F7270-00	ADJUSTER ASSY	1	
8	BAS-F7260-00	ADJUSTER ASSY	1	
9	95812-08012	BOLT, FLANGE	8	
10	2HC-F475X-01	COVER,2	2	
11	90267-489U9	RIVET, BLIND	6	
12	BAS-F4790-10	SEAT BACK ASSY	1	
13	BAS-F4700-10	SEAT ASSY	1	
14	2HC-F473D-00	FRAME, SEAT 2	1	
15	1XD-F4742-00	GROMMET	1	
16	2HC-F2417-00	PLUG	2	
17	2PG-F4739-00	BOLT, SEAT FITTING	3	
18	95812-08012	BOLT, FLANGE	4	

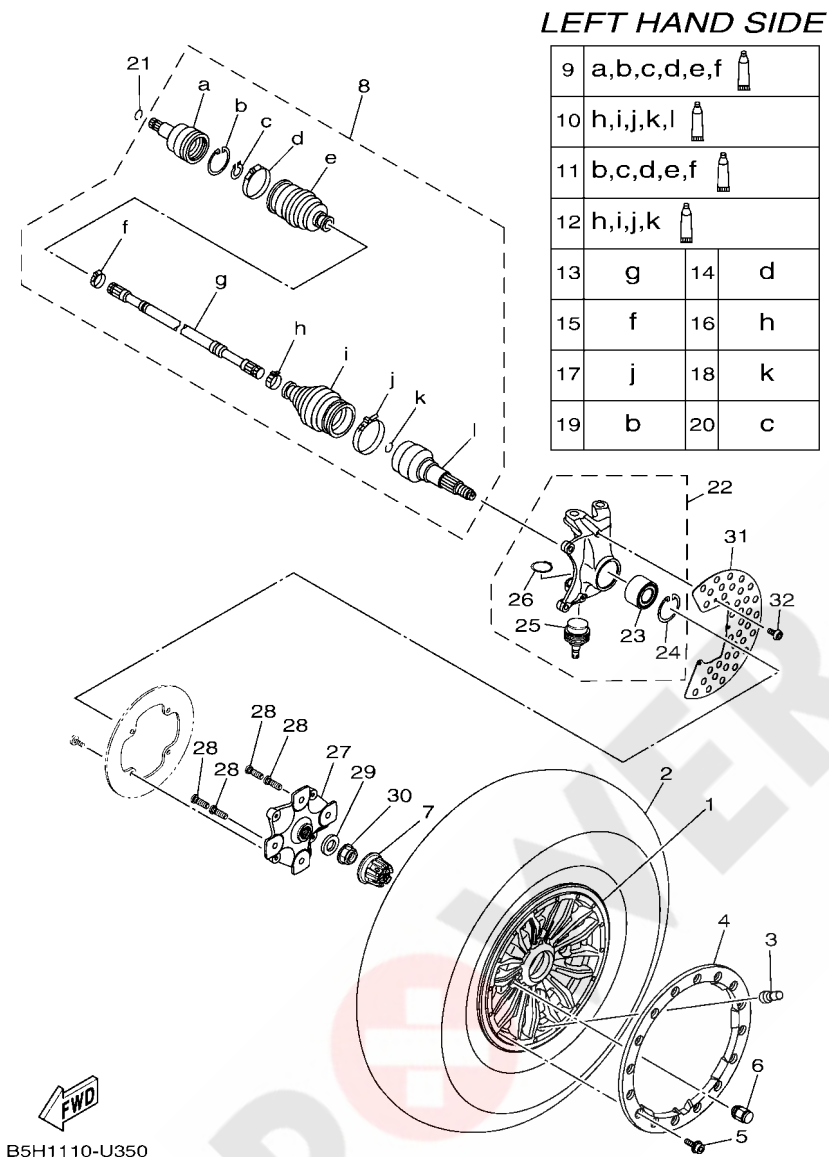
FIG. 34 SEAT 2



BAS1110-V340

REF. NO.	PART NO.	DESCRIPTION	BAS				REMARKS
1	2HC-F470J-00	ASSIST GRIP ASSY., 1	1				
2	97022-06040	BOLT, HEXAGON	1				
3	95612-06100	NUT, U	1				
4	1XD-F467K-00	BUSH, CAP	2				
5	1XD-F5926-00	BOLT	2				
6	1XD-F311F-00	SNAP, PIN	2				
7	B5F-F470R-00	FR. BELT RECEIVER ASSY	1				
8	B5F-F470R-10	FR. BELT RECEIVER ASSY	1				
9	B5F-F470L-00	FR. SEAT BELT ASSY 1	2				
10	95812-12020	BOLT, FLANGE	6				
11	16B-F3394-01	BOLT, SPECIAL	2				
12	90201-11801	WASHER, PLATE	2				
13	90111-12002	BOLT, HEX. SOCKET BUTTON	2				

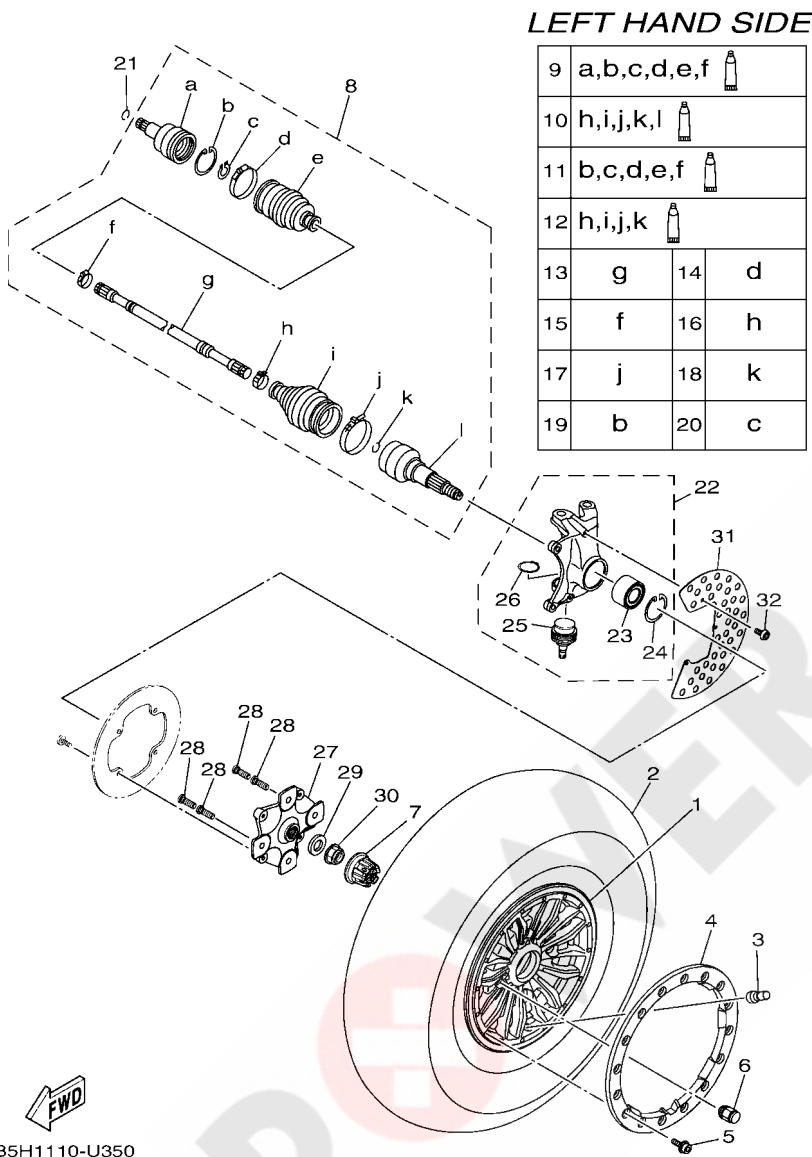
FIG. 35 FRONT WHEEL



B5H1110-U350

REF. NO.	PART NO.	DESCRIPTION	BAS	REMARKS
1	B5H-F5168-02	CAST WHEEL, FRONT	1	
2	94109-14814	TIRE (29X9.00R14 M917 8PR TL)	1	CHENG SHIN
3	93900-00813	VALVE, RIM (TR413)	1	MAXXIS
4	B5H-F5185-10	RING 1	1	
5	90105-088H6	BOLT, FLANGE	16	
6	90176-12800	NUT, CROWN	4	
7	2HC-F512A-00	CAP, WHEEL	1	
8	2HC-2518F-00	DRIVE SHAFT ASSY	1	
9	2HC-2510J-00	.DOUBLE OFF SET JOINT	1	
10	2HC-2510F-00	.BALL JOINT SET	1	
11	2HC-2510H-00	.BOOT SET(DOUBLE OFFSET JOINT)	1	
12	2HC-2510G-00	.BOOT SET (BALL JOINT)	1	
13	2HC-2518E-00	.SHAFT	1	
14	2HC-2511H-00	.BOOT BAND(DOUBLE OFFSET JOINT)	1	
15	2HC-2511G-00	.BOOT BAND(DOUBLE OFFSET JOINT)	1	
16	2HC-2510U-00	.BOOT BAND (BALL JOINT)	1	
17	2HC-2512G-00	.BOOT BAND (BALL JOINT)	1	
18	2HC-2512H-00	.CIRCLIP	1	
19	3B4-25182-00	.CIRCLIP	1	
20	3B4-2512J-00	.SNAP RING	1	
21	93450-22119	CIRCLIP	1	
22	B5H-F3501-00	STEERING KNUCKLE ASSY (LEFT)	1	
23	93305-00604	.BEARING	1	
24	99009-62500	.CIRCLIP	1	
25	2HC-23579-00	.BALL JOINT 2	1	
26	93410-42096	.CIRCLIP	1	
27	B5H-F5111-00	HUB, FRONT	1	

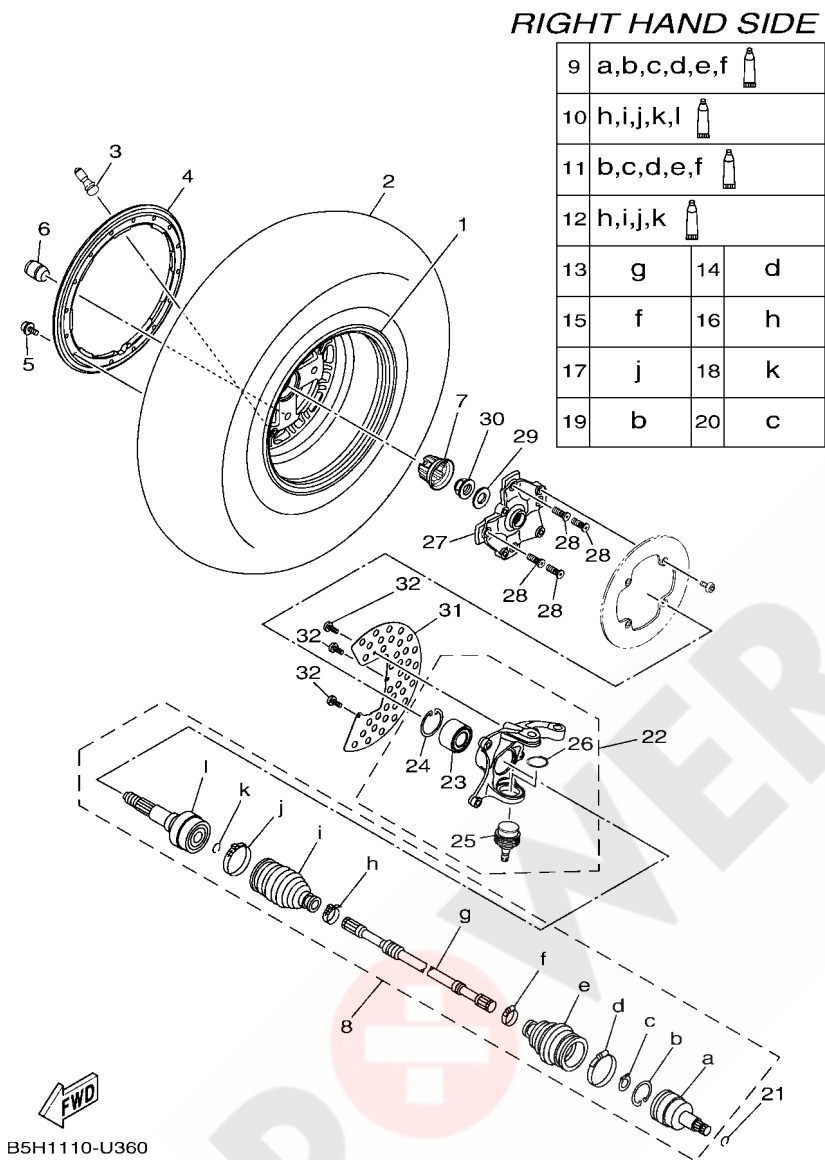
FIG. 35 FRONT WHEEL



REF. NO.	PART NO.	DESCRIPTION	BAS	REMARKS
28	90114-12005	BOLT, SERRATION	4	
29	90201-25023	WASHER, PLATE	1	
30	90179-24801	NUT	1	
31	2HC-F514A-00	RING, WHEEL 1	1	
32	90111-06096	BOLT, HEX. SOCKET BUTTON	3	
<hr/>				
<hr/>				
<hr/>				
<hr/>				
<hr/>				
<hr/>				
<hr/>				
<hr/>				
<hr/>				
<hr/>				
<hr/>				

B5H1110-U350

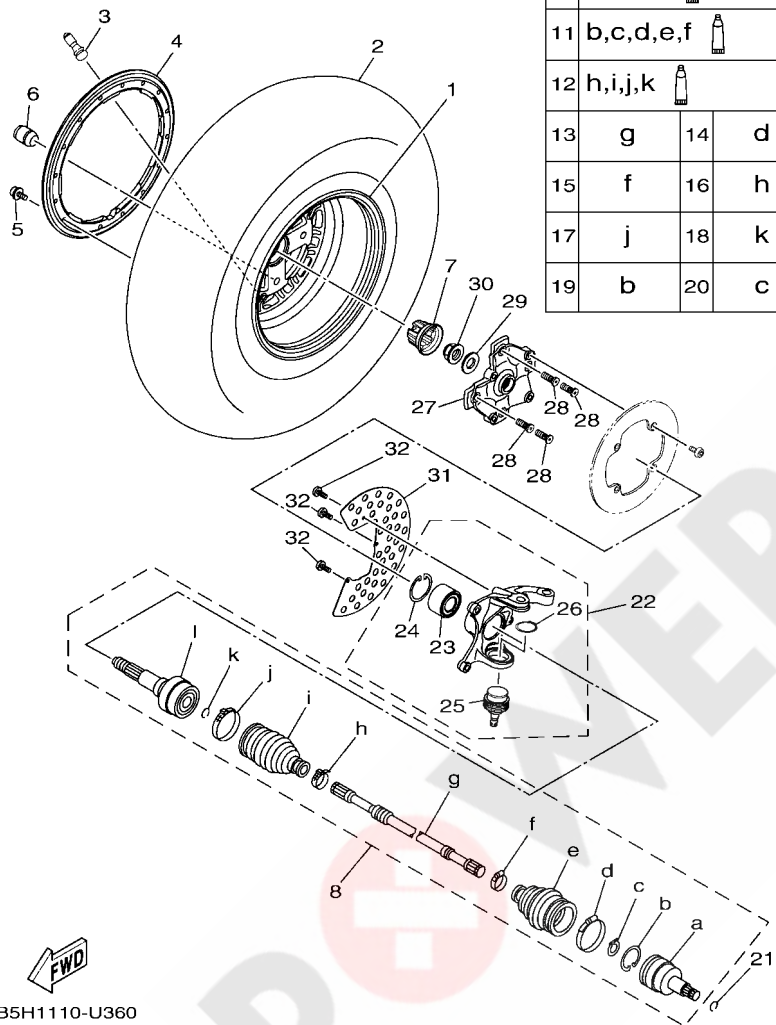
FIG. 36 FRONT WHEEL 2



REF. NO.	PART NO.	DESCRIPTION	BAS				REMARKS
1	B5H-F5168-02	CAST WHEEL, FRONT	1				
2	94109-14814	TIRE (29X9.00R14 M917 8PR TL)	1				CHENG SHIN
3	93900-00813	VALVE, RIM (TR413)	1				MAXXIS
4	B5H-F5185-10	RING 1	1				
5	90105-088H6	BOLT, FLANGE	16				
6	90176-12800	NUT, CROWN	4				
7	2HC-F512A-00	CAP, WHEEL	1				
8	2HC-2518F-00	DRIVE SHAFT ASSY	1				
9	2HC-2510J-00	.DOUBLE OFF SET JOINT	1				
10	2HC-2510F-00	.BALL JOINT SET	1				
11	2HC-2510H-00	.BOOT SET(DOUBLE OFFSET JOINT)	1				
12	2HC-2510G-00	.BOOT SET (BALL JOINT)	1				
13	2HC-2518E-00	.SHAFT	1				
14	2HC-2511H-00	.BOOT BAND(DOUBLE OFFSET JOINT)	1				
15	2HC-2511G-00	.BOOT BAND(DOUBLE OFFSET JOINT)	1				
16	2HC-2510U-00	.BOOT BAND (BALL JOINT)	1				
17	2HC-2512G-00	.BOOT BAND (BALL JOINT)	1				
18	2HC-2512H-00	.CIRCLIP	1				
19	3B4-25182-00	.CIRCLIP	1				
20	3B4-2512J-00	.SNAP RING	1				
21	93450-22119	CIRCLIP	1				
22	B5H-F3502-00	STEERING KNUCKLE ASSY (RIGHT)	1				
23	93305-00604	.BEARING	1				
24	99009-62500	.CIRCLIP	1				
25	2HC-23579-00	.BALL JOINT 2	1				
26	93410-42096	.CIRCLIP	1				
27	B5H-F5111-00	HUB, FRONT	1				

FIG. 36 FRONT WHEEL 2

RIGHT HAND SIDE

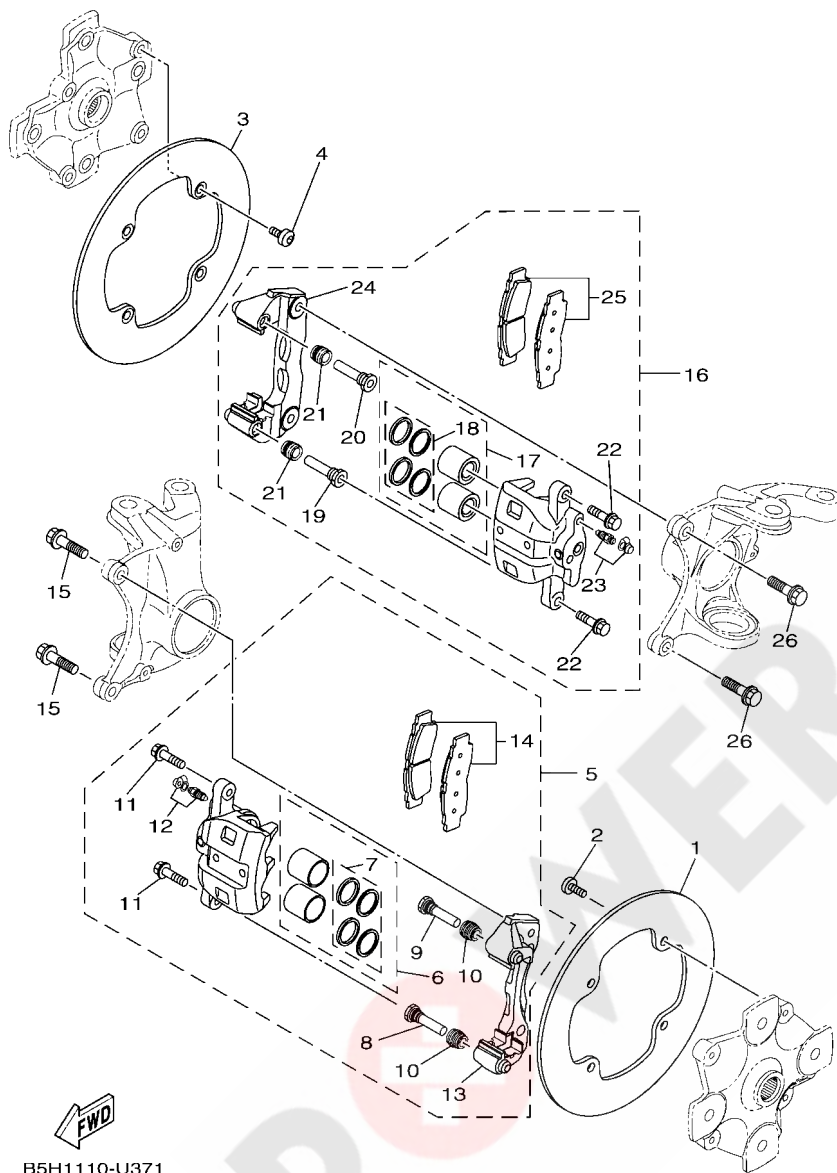


9	a,b,c,d,e,f		
10	h,i,j,k,l		
11	b,c,d,e,f		
12	h,i,j,k		
13	g	14	d
15	f	16	h
17	j	18	k
19	b	20	c

REF. NO.	PART NO.	DESCRIPTION	BAS				REMARKS
28	90114-12005	BOLT, SERRATION	4				
29	90201-25023	WASHER, PLATE	1				
30	90179-24801	NUT	1				
31	2HC-F514A-00	RING, WHEEL 1	1				
32	90111-06096	BOLT,HEX. SOCKET BUTTON	3				
<hr/>							
<hr/>							
<hr/>							
<hr/>							
<hr/>							
<hr/>							
<hr/>							
<hr/>							
<hr/>							
<hr/>							

B5H1110-U360

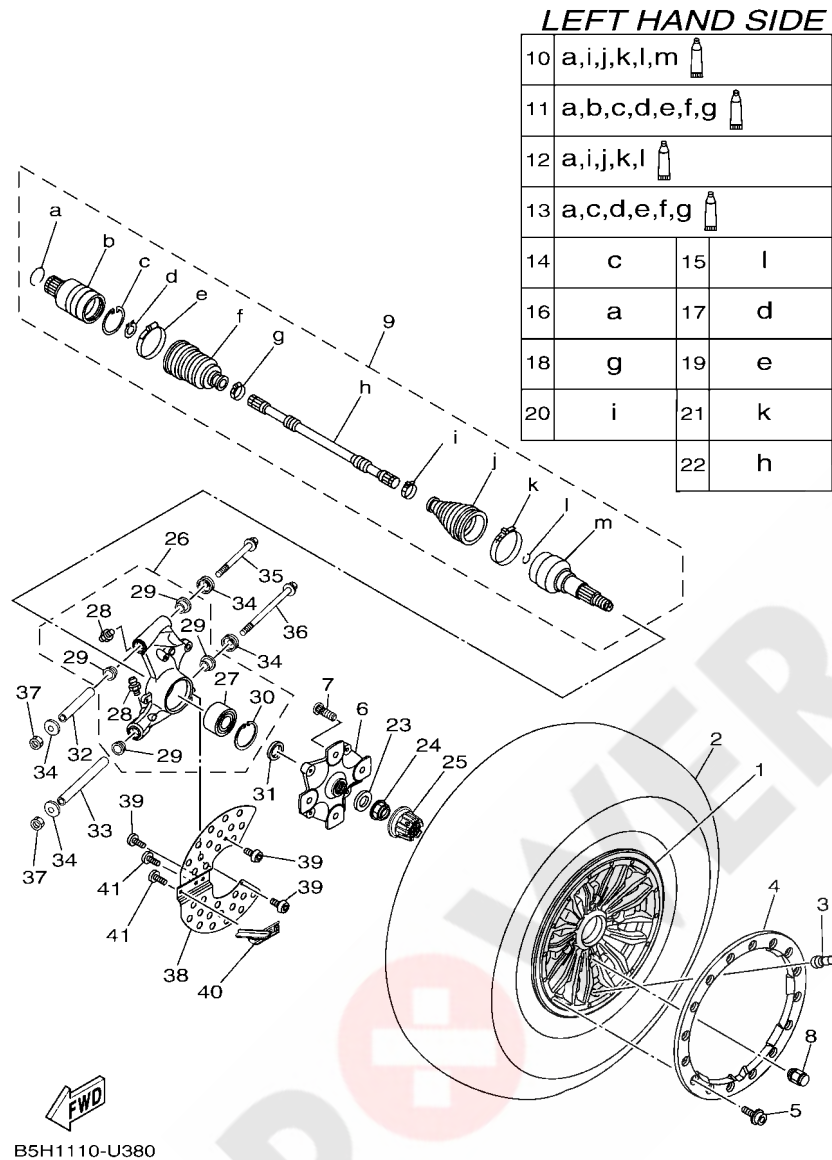
FIG. 37 FRONT BRAKE CALIPER



B5H1110-U371

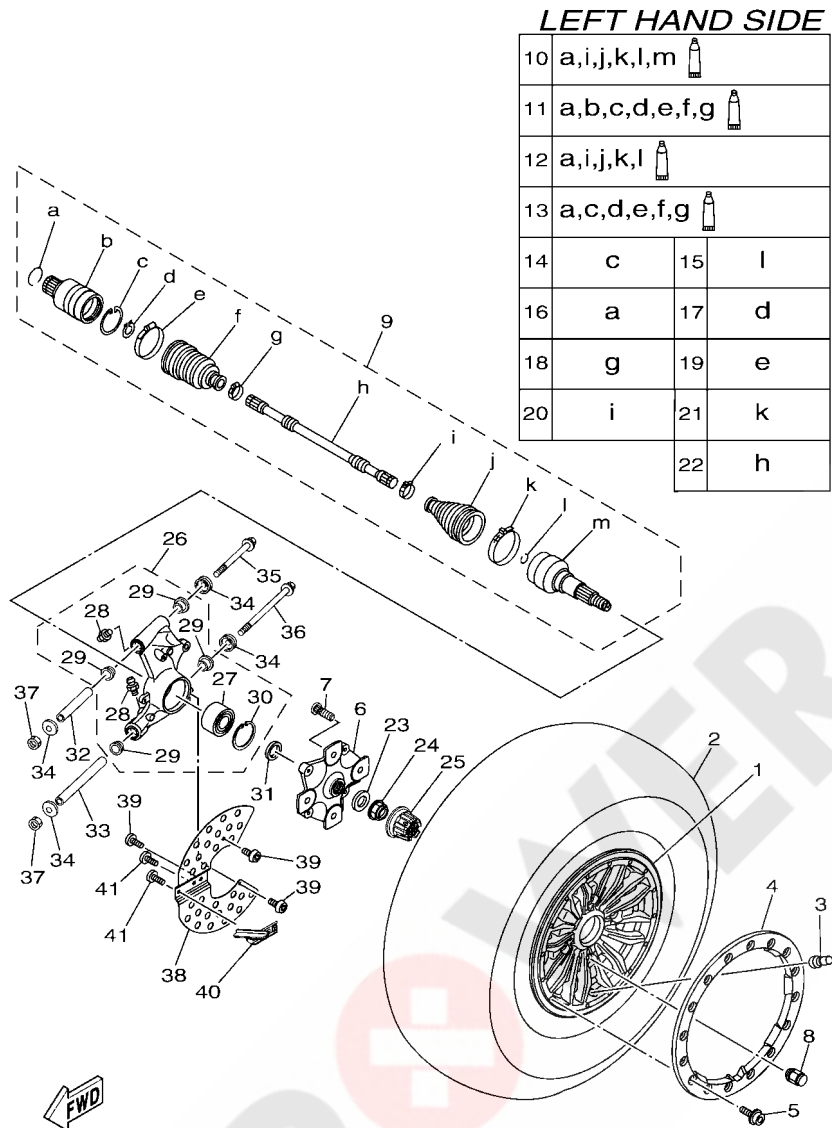
REF. NO.	PART NO.	DESCRIPTION	BAS5				REMARKS
1	B5H-F582T-00	DISC, BRAKE (LEFT)	1				
2	90109-08253	BOLT	4				
3	B5H-F582T-00	DISC, BRAKE (LEFT)	1				
4	90109-08253	BOLT	4				
5	B5H-2580T-00	CALIPER ASSY (LEFT)	1				
6	B5H-25802-00	.PISTON ASSY, CALIPER	1				
7	B5H-25803-00	..CALIPER SEAL KIT	1				
8	2HC-25926-00	.BOLT	1				
9	2HC-25926-10	.BOLT	1				
10	2HC-25917-00	.BOOT, CALIPER	2				
11	2HC-25833-00	.BOLT, FITTING	2				
12	1UY-W0048-50	.BLEED SCREW KIT	1				
13	2HC-25819-00	.BRACKET, CALIPER	1				WITH SUPPORT PAD
14	B5H-25805-00	.BRAKE PAD KIT	1				
15	90105-10405	BOLT, FLANGE	2				
16	B5H-2580U-00	CALIPER ASSY (RIGHT)	1				
17	B5H-25802-00	.PISTON ASSY, CALIPER	1				
18	B5H-25803-00	..CALIPER SEAL KIT	1				
19	2HC-25926-00	.BOLT	1				
20	2HC-25926-10	.BOLT	1				
21	2HC-25917-00	.BOOT, CALIPER	2				
22	2HC-25833-00	.BOLT, FITTING	2				
23	1UY-W0048-50	.BLEED SCREW KIT	1				
24	2HC-25819-00	.BRACKET, CALIPER	1				WITH SUPPORT PAD
25	B5H-25805-00	.BRAKE PAD KIT	1				
26	90105-10405	BOLT, FLANGE	2				

FIG. 38 REAR WHEEL



REF. NO.	PART NO.	DESCRIPTION	BAS5				REMARKS
1	B5H-F5307-02	CAST WHEEL, REAR	1				
2	94111-14808	TIRE (29X11.00R14 M918 8PR TL)	1				CHENG SHIN
3	93900-00813	VALVE, RIM (TR413)	1				MAXXIS
4	B5H-F5185-10	RING 1	1				
5	90105-088H6	BOLT, FLANGE	16				
6	B5H-F5111-00	HUB, FRONT	1				
7	90114-12005	BOLT, SERRATION	4				
8	90176-12800	NUT, CROWN	4				
9	2HC-2531H-12	REAR DRIVE SHAFT ASSY	1				
10	2HC-2530T-12	.BALL JOINT SET	1				
11	BG4-2530V-00	.DOUBLE OFF SET JOINT	1				
12	2HC-2530X-12	.BOOT SET (BALL JOINT)	1				
13	2HC-2530Y-00	.BOOT SET(DOUBLE OFFSET JOINT)	1				
14	2HC-2536E-00	.CLIP, SPRING	1				
15	16B-25185-00	.RING 1	1				
16	16B-2536E-00	.CLIP, SPRING	1				
17	2HC-2512J-00	.SNAP RING	1				
18	2HC-25719-00	.BAND	1				
19	2HC-26293-00	.BAND	1				
20	2HC-26397-12	.BAND	1				
21	2HC-2512G-10	.BOOT BAND (SMALL)	1				
22	2HC-259A2-00	.SHAFT	1				
23	90201-25023	WASHER, PLATE	1				
24	90179-24801	NUT	1				
25	2HC-F512A-00	CAP, WHEEL	1				
26	B5H-F530F-00	REAR KNUCKLE ASSY	1				
27	93305-00603	.BEARING	1				

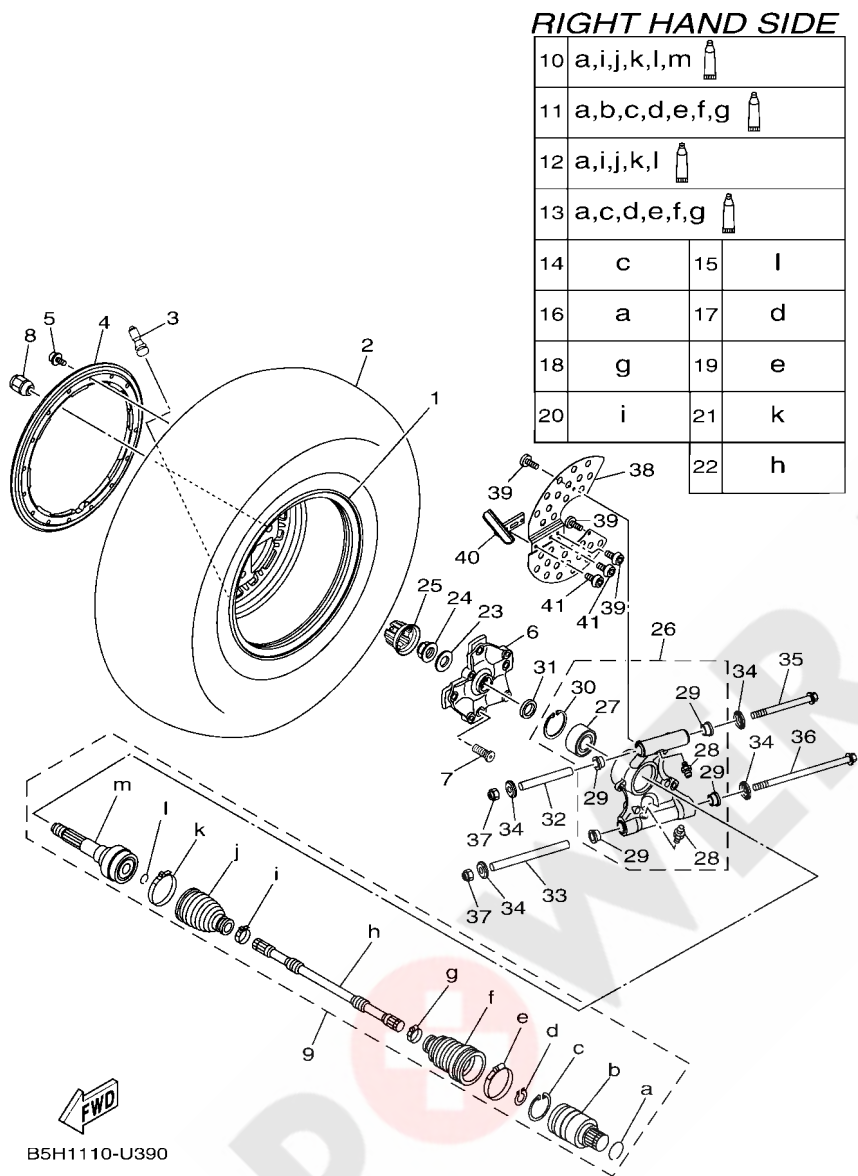
FIG. 38 REAR WHEEL



B5H1110-U380

REF. NO.	PART NO.	DESCRIPTION	BAS				REMARKS
28	93700-06004	.NIPPLE, GREASE	2				
29	90381-17067	.BUSH, SOLID	4				
30	99009-72500	.CIRCLIP	1				
31	90201-30666	WASHER, PLATE	1				
32	90387-12060	COLLAR	1				
33	90387-12061	COLLAR	1				
34	1XD-23517-00	COVER, THRUST 1	4				
35	90105-12066	BOLT, FLANGE	1				
36	90105-12097	BOLT, FLANGE	1				
37	90185-12007	NUT, SELF-LOCKING	2				
38	2HC-F534C-00	RING, WHEEL RR. 1	1				
39	90111-06096	BOLT,HEX. SOCKET BUTTON	3				
40	2HC-F2341-00	PLATE, GUIDE 1	1				
41	92012-06012	BOLT, BUTTON HEAD	2				

FIG. 39 REAR WHEEL 2



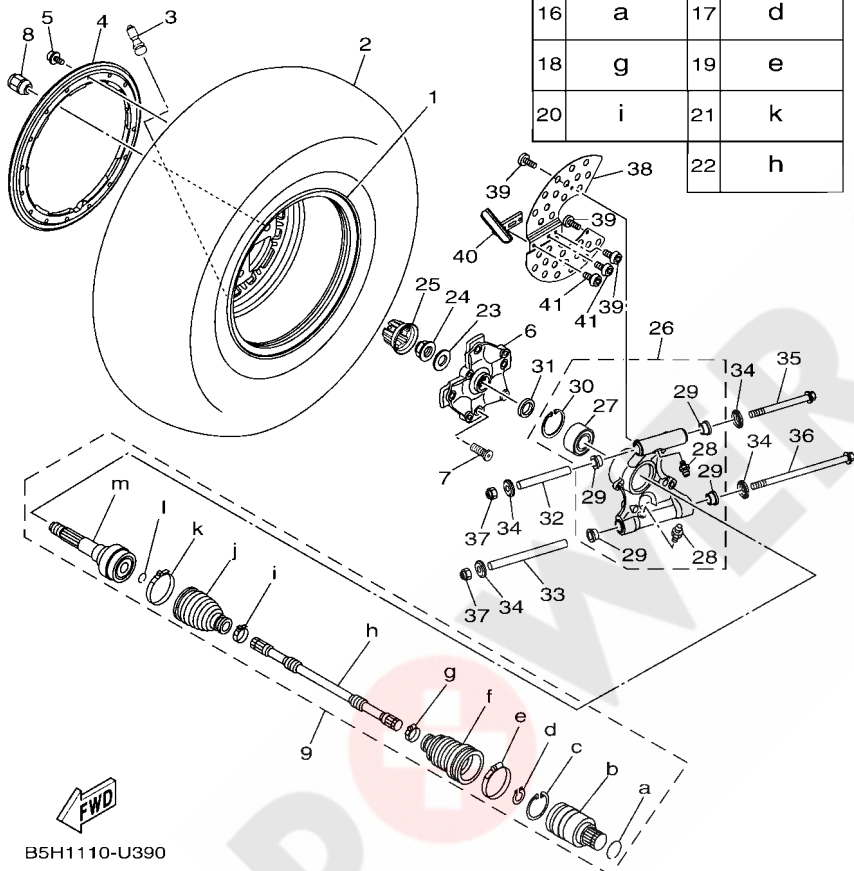
REF. NO.	PART NO.	DESCRIPTION	BAS5				REMARKS
1	B5H-F5307-02	CAST WHEEL, REAR	1				
2	94111-14808	TIRE (29X11.00R14 M918 8PR TL)	1				CHENG SHIN
3	93900-00813	VALVE, RIM (TR413)	1				MAXXIS
4	B5H-F5185-10	RING 1	1				
5	90105-088H6	BOLT, FLANGE	16				
6	B5H-F5111-00	HUB, FRONT	1				
7	90114-12005	BOLT, SERRATION	4				
8	90176-12800	NUT, CROWN	4				
9	2HC-2531H-12	REAR DRIVE SHAFT ASSY	1				
10	2HC-2530T-12	.BALL JOINT SET	1				
11	BG4-2530V-00	.DOUBLE OFF SET JOINT	1				
12	2HC-2530X-12	.BOOT SET (BALL JOINT)	1				
13	2HC-2530Y-00	.BOOT SET(DOUBLE OFFSET JOINT)	1				
14	2HC-2536E-00	.CLIP, SPRING	1				
15	16B-25185-00	.RING 1	1				
16	16B-2536E-00	.CLIP, SPRING	1				
17	2HC-2512J-00	.SNAP RING	1				
18	2HC-25719-00	.BAND	1				
19	2HC-26293-00	.BAND	1				
20	2HC-26397-12	.BAND	1				
21	2HC-2512G-10	.BOOT BAND (SMALL)	1				
22	2HC-259A2-00	.SHAFT	1				
23	90201-25023	WASHER, PLATE	1				
24	90179-24801	NUT	1				
25	2HC-F512A-00	CAP, WHEEL	1				
26	B5H-F532F-00	REAR KNUCKLE ASSY.,2	1				
27	93305-00603	.BEARING	1				

FIG. 39 REAR WHEEL 2

REF. NO.	PART NO.	DESCRIPTION	BAS		REMARKS
28	93700-06004	.NIPPLE, GREASE	2		
29	90381-17067	.BUSH, SOLID	4		
30	99009-72500	.CIRCLIP	1		
31	90201-30666	WASHER, PLATE	1		
32	90387-12060	COLLAR	1		
33	90387-12061	COLLAR	1		
34	1XD-23517-00	COVER, THRUST 1	4		
35	90105-12066	BOLT, FLANGE	1		
36	90105-12097	BOLT, FLANGE	1		
37	90185-12007	NUT, SELF-LOCKING	2		
38	2HC-F535C-00	RING, WHEEL RR. 2	1		
39	90111-06096	BOLT,HEX. SOCKET BUTTON	3		
40	2HC-F2342-00	PLATE, GUIDE 2	1		
41	92012-06012	BOLT, BUTTON HEAD	2		

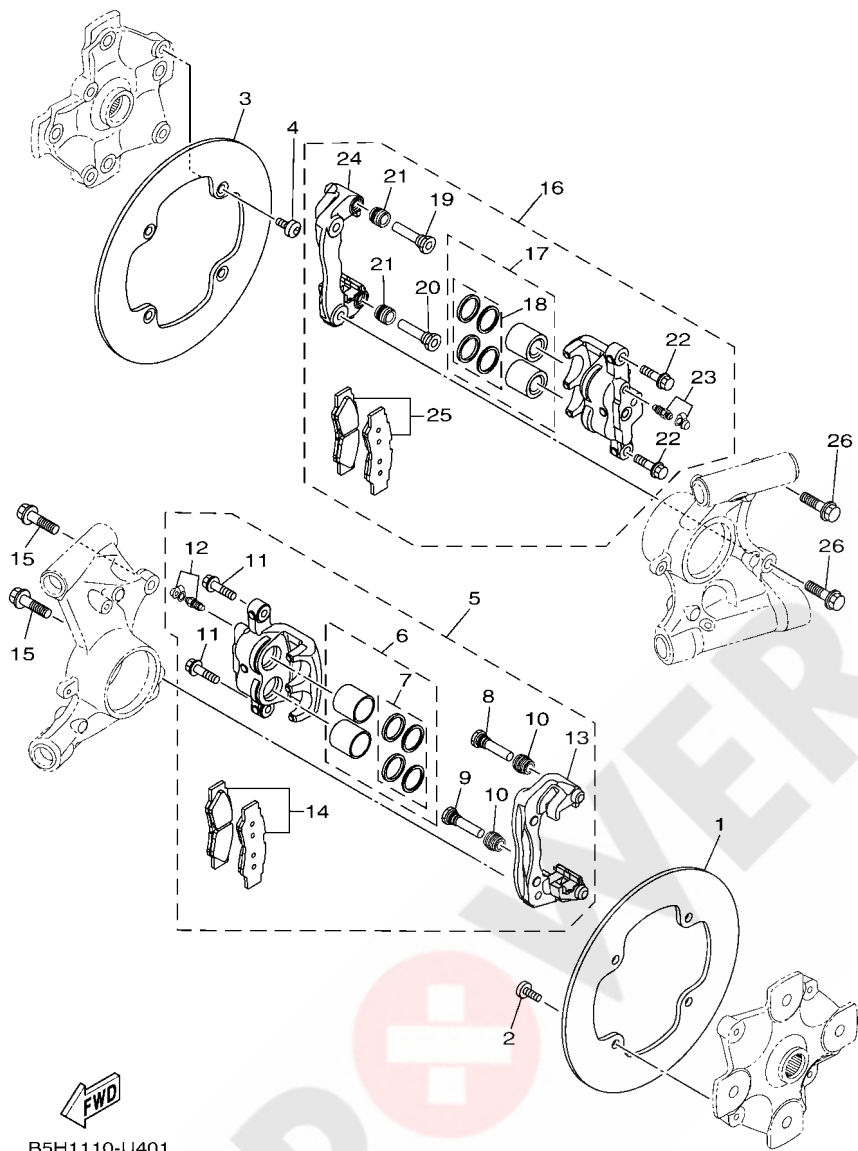
RIGHT HAND SIDE

10	a,i,j,k,l,m		
11	a,b,c,d,e,f,g		
12	a,i,j,k,l		
13	a,c,d,e,f,g		
14	c	15	l
16	a	17	d
18	g	19	e
20	i	21	k
22	h		



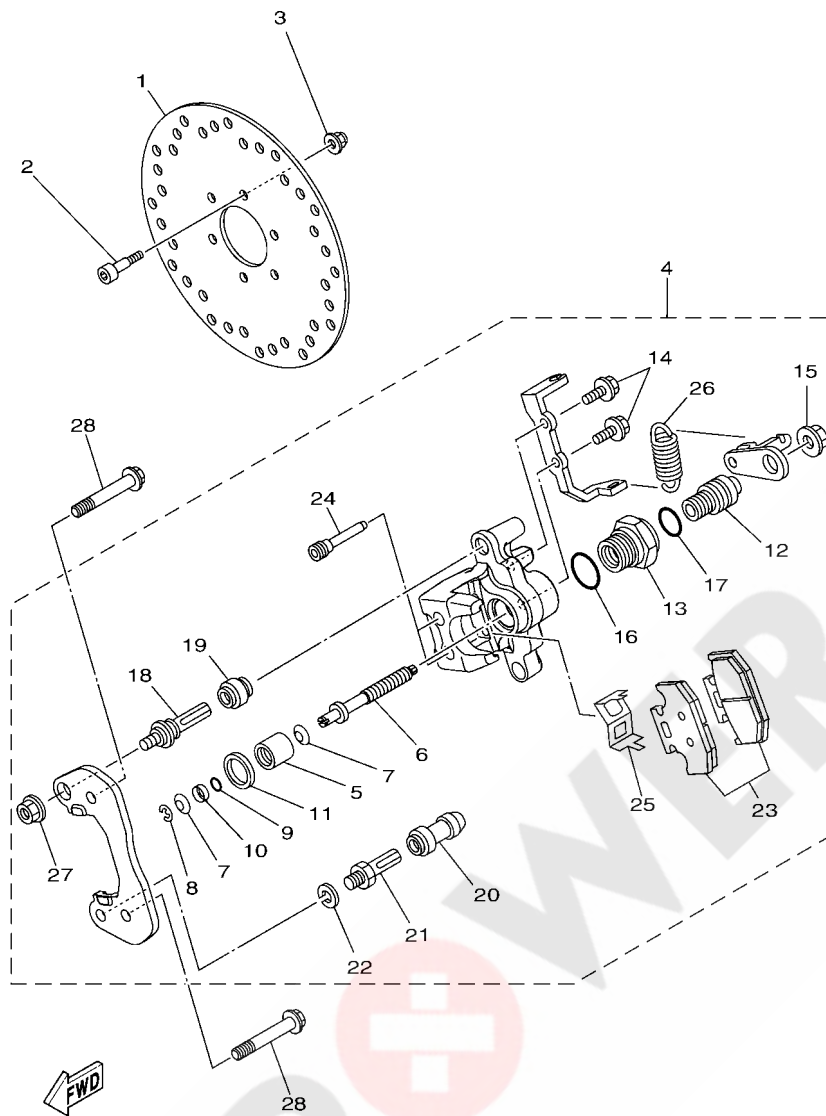
B5H1110-U390

FIG. 40 REAR BRAKE CALIPER



B5H1110-U401

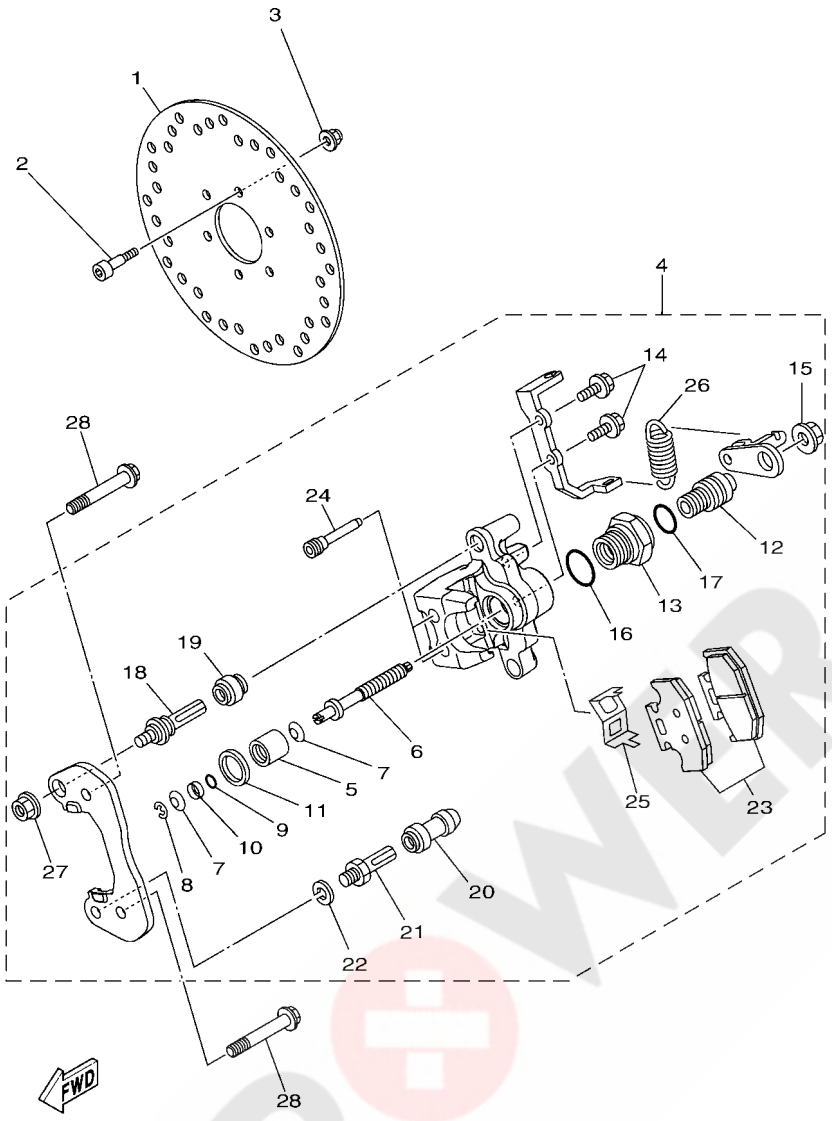
REF. NO.	PART NO.	DESCRIPTION	BAS			REMARKS
1	B5H-F582V-00	DISC, REAR BRAKE 1	1			
2	90109-08253	BOLT	4			
3	B5H-F582V-00	DISC, REAR BRAKE 1	1			
4	90109-08253	BOLT	4			
5	B5H-2580V-00	CALIPER ASSY, REAR 1	1			
6	B5H-25802-10	.PISTON ASSY, CALIPER	1			
7	3FV-25803-10	..CALIPER SEAL KIT	1			
8	2HC-25926-00	.BOLT	1			
9	2HC-25926-10	.BOLT	1			
10	2HC-25917-00	.BOOT, CALIPER	2			
11	2HC-25833-00	.BOLT, FITTING	2			
12	1UY-W0048-50	.BLEED SCREW KIT	1			
13	2HC-25921-00	.BRACKET, SUPPORT	1			WITH SUPPORT PAD
14	B5H-25806-00	.BRAKE PAD KIT 2	1			
15	90105-10405	BOLT, FLANGE	2			
16	B5H-2580W-00	CALIPER ASSY, REAR 2	1			
17	B5H-25802-10	.PISTON ASSY, CALIPER	1			
18	3FV-25803-10	..CALIPER SEAL KIT	1			
19	2HC-25926-00	.BOLT	1			
20	2HC-25926-10	.BOLT	1			
21	2HC-25917-00	.BOOT, CALIPER	2			
22	2HC-25833-00	.BOLT, FITTING	2			
23	1UY-W0048-50	.BLEED SCREW KIT	1			
24	2HC-25921-00	.BRACKET, SUPPORT	1			WITH SUPPORT PAD
25	B5H-25806-00	.BRAKE PAD KIT 2	1			
26	90105-10405	BOLT, FLANGE	2			



B421110-R400

FIG. 41 REAR BRAKE CALIPER 2

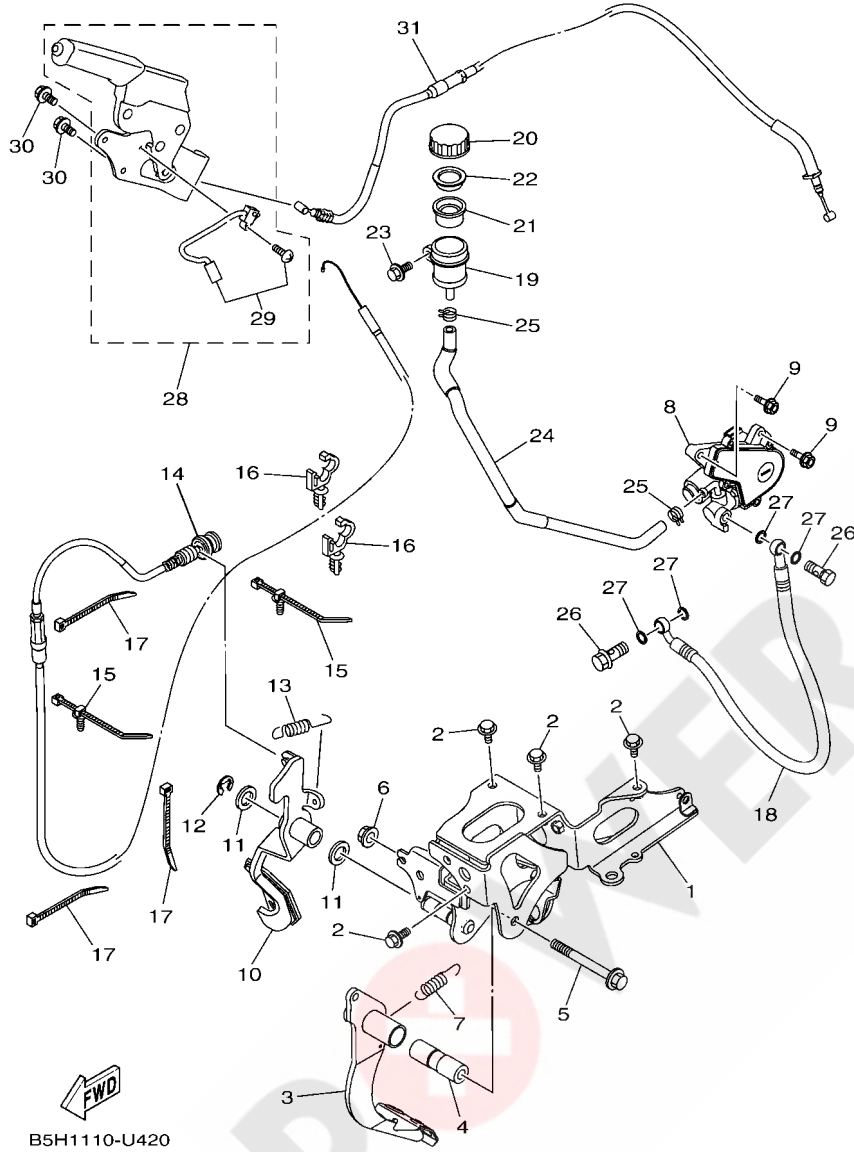
REF. NO.	PART NO.	DESCRIPTION	BAS				REMARKS
1	1XD-F5711-01	DISC, BRAKE	1				
2	90110-06228	BOLT, HEXAGON SOCKET HEAD	6				
3	95602-06200	NUT, SELF-LOCKING	6				
4	1XD-25905-01	PARKING BRAKE ASSY	1				
5	5B4-25814-10	.PISTON, CALIPER	1				
6	5B4-25880-00	.PUSH ROD COMP.	1				
7	5B4-2581R-00	.WASHER, CONICAL SPRING	2				
8	5B4-25415-00	.CIRCLIP	1				
9	5B4-25976-00	.O-RING	1				
10	5B4-25913-00	.RETAINER	1				
11	5B4-25975-00	.RUBBER, BUSHING	1				
12	5B4-25978-00	.SHAFT L	1				
13	5B4-25973-00	.NUT	1				
14	5B4-25833-00	.BOLT, FITTING	2				
15	1UY-25973-51	.NUT	1				
16	5B4-25976-10	.O-RING	1				
17	5B4-25976-20	.O-RING	1				
18	3JD-25926-00	.BOLT	1				
19	3JD-25917-00	.BOOT, CALIPER	1				
20	1UY-25937-51	.BOOT 2	1				
21	1UY-25926-51	.BOLT	1				
22	1UY-25938-51	.WASHER, SPRING	1				
23	5B4-25806-00	.BRAKE PAD KIT 2	1				
24	5B4-25924-00	.PIN, PAD	2				
25	5B4-25919-00	.SUPPORT, PAD	1				
26	5B4-25977-00	.SPRING, RETURN	1				
27	5B4-2585F-00	.NUT	1				



B421110-R400

FIG. 41 REAR BRAKE CALIPER 2

REF. NO.	PART NO.	DESCRIPTION	BAS	REMARKS
28	90105-10295	BOLT, FLANGE	2	

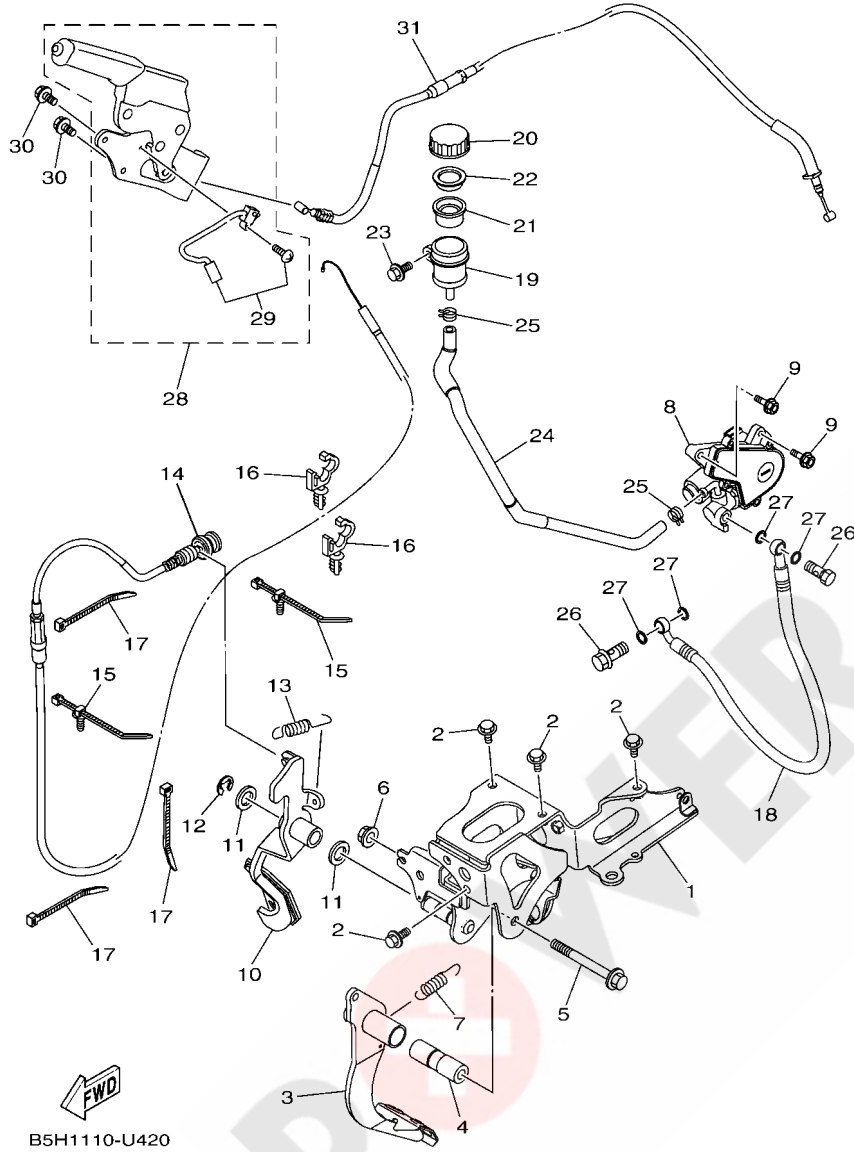


B5H1110-U420

FIG. 42 PEDAL WIRE

REF. NO.	PART NO.	DESCRIPTION	BAS	REMARKS
1	B57-F2548-01	BRACKET, PEDAL SUPPORT	1	
2	95812-08016	BOLT, FLANGE	4	
3	2HC-F7211-00	PEDAL, BRAKE	1	
4	90387-10843	COLLAR	1	
5	95812-10090	BOLT, FLANGE	1	
6	95602-10200	NUT, S/L FLANGE	1	
7	90506-23022	SPRING, TENSION	1	
8	B57-82460-00	CLUTCH ACTUATOR ASSY	1	
9	90105-08211	BOLT, FLANGE	2	
10	2HC-F7871-00	PEDAL, ACCELERATOR	1	
11	90201-15018	WASHER, PLATE	2	
12	93430-12008	CIRCLIP	1	
13	90506-23022	SPRING, TENSION	1	
14	2HC-26311-12	WIRE, THROTTLE 1	1	
15	5B4-F1338-00	CLAMP	2	
16	90464-12830	CLAMP	2	d: 12mm
17	90464-48800	CLAMP	3	
18	B57-26472-00	HOSE, CLUTCH 1	1	
19	5JJ-25894-01	TANK, RESERVOIR	1	
20	3XP-25852-50	CAP, RESERVOIR	1	
21	2VN-25854-00	DIAPHRAGM, RESERVOIR	1	
22	2VN-25855-00	BUSH,DIAPHRAGM	1	
23	90119-06137	BOLT, WITH WASHER	1	
24	B57-25895-00	HOSE, RESERVOIR	1	
25	90467-12191	CLIP	2	
26	90401-10172	BOLT, UNION	2	
27	90201-10118	WASHER, PLATE	4	

FIG. 42 PEDAL WIRE



REF. NO.	PART NO.	DESCRIPTION	BAS				REMARKS
28	1XD-F5690-01	PARKING LEVER ASSY	1				
29	5UG-H251S-00	.SWITCH COMP.	1				
30	95812-06012	BOLT, FLANGE	2				
31	2HC-26341-01	WIRE, BRAKE 1	1				

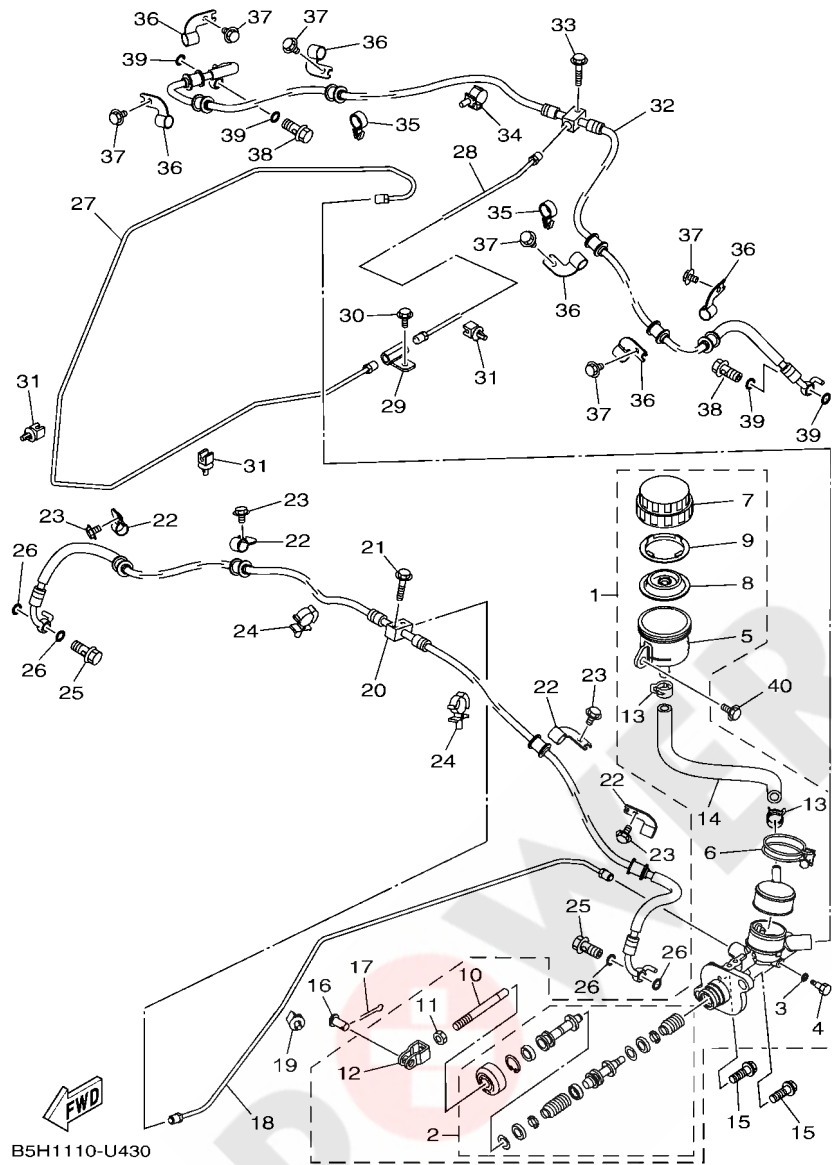


FIG. 43 MASTER CYLINDER

REF. NO.	PART NO.	DESCRIPTION	BAS				REMARKS
1	B5H-2583T-00	MASTER CYLINDER ASSY	1				
2	B5H-25808-00	.CYLINDER KIT, MASTER	1				
3	5UG-25878-00	.WASHER, OIL BOLT	1				
4	5UG-25877-00	.BOLT, OIL 1	1				
5	2HC-25894-00	.TANK, RESERVOIR	1				
6	5UG-25719-00	.BAND	1				
7	5UG-25852-00	.CAP, RESERVOIR	1				
8	5UG-25854-00	.DIAPHRAGM, RESERVOIR	1				
9	5UG-25855-00	.BUSH,DIAPHRAGM	1				
10	5UG-25880-00	.PUSH ROD COMP.	1				
11	4SS-27218-00	.NUT	1				
12	2HC-27222-00	.JOINT	1				
13	2HC-24519-00	.CLIP	2				
14	2HC-2589E-00	.HOSE	1				
15	90105-08129	BOLT, FLANGE	2				
16	90240-08005	PIN, CLEVIS	1				
17	91402-20020	PIN, COTTER	1				
18	2HC-F5882-00	PIPE, BRAKE 2	1				
19	2HC-81677-00	CLAMP 1	1				
20	B5H-F5872-10	HOSE, BRAKE 1	1				
21	90105-06833	BOLT, FLANGE	1				
22	3B4-25876-10	HOLDER, BRAKE HOSE 2	4				
23	95812-06010	BOLT, FLANGE	4				
24	90464-18011	CLAMP	2				
25	90401-10015	BOLT, UNION	2				
26	90201-10118	WASHER, PLATE	4				
27	2HC-F5871-00	PIPE, BRAKE	1				

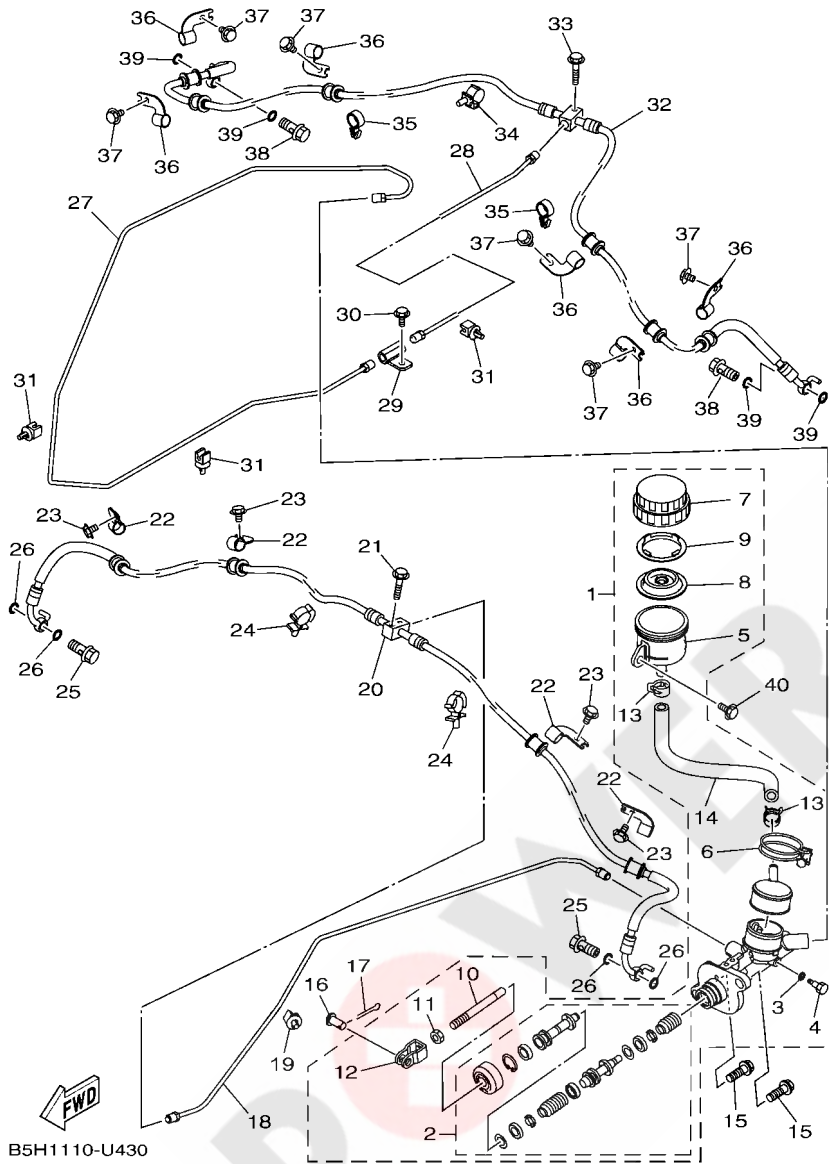
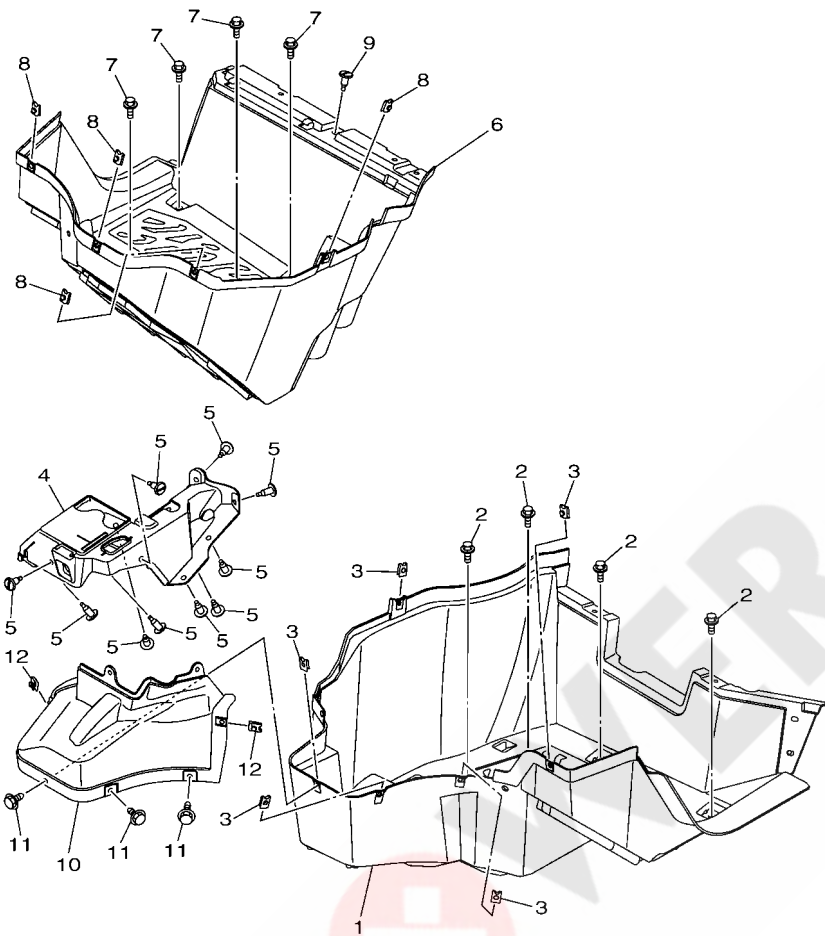


FIG. 43 MASTER CYLINDER

REF. NO.	PART NO.	DESCRIPTION	BAS				REMARKS
28	2HC-F5883-10	PIPE, BRAKE 3	1				
29	JX2-25885-11	JOINT	1				
30	90105-06831	BOLT, FLANGE	1				
31	2HC-81677-00	CLAMP 1	7				
32	B5H-F5873-10	HOSE, BRAKE 2	1				
33	90105-06833	BOLT, FLANGE	1				
34	90464-16012	CLAMP	1				
35	90464-19815	CLAMP	2				
36	3B4-25876-10	HOLDER, BRAKE HOSE 2	6				
37	95812-06010	BOLT, FLANGE	6				
38	90401-10015	BOLT, UNION	2				
39	90201-10118	WASHER, PLATE	4				
40	90119-06137	BOLT, WITH WASHER	1				

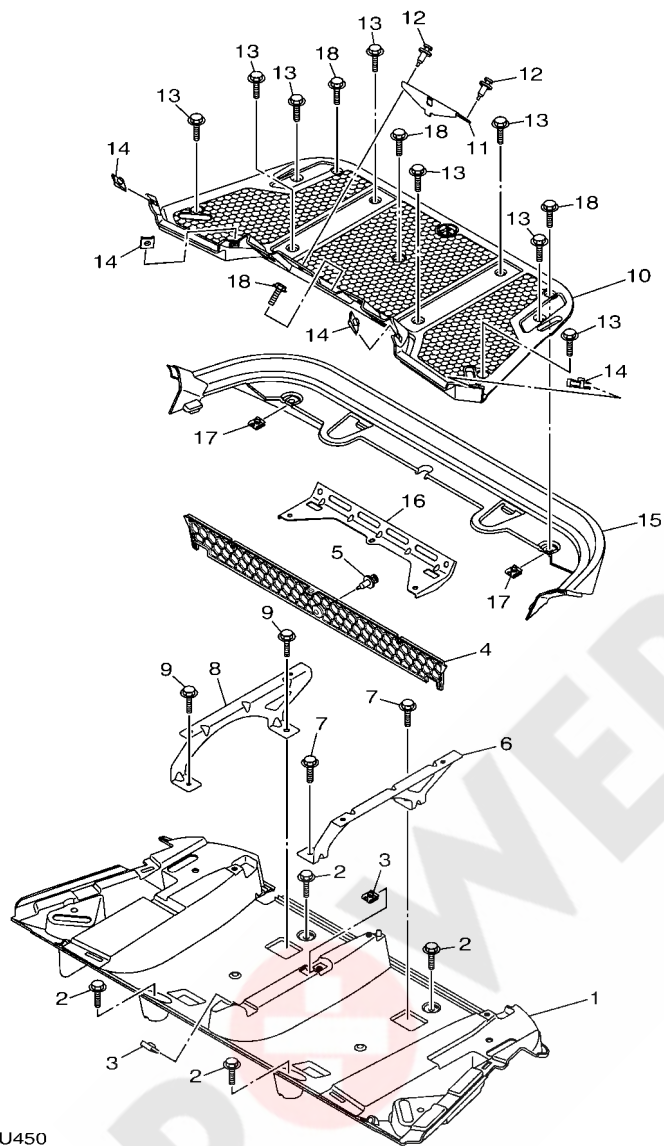
FIG. 44 STAND & FOOTREST



B5H1110-U440

REF. NO.	PART NO.	DESCRIPTION	BAS			REMARKS
1	2HC-F7411-00	FOOTREST 1	1			
2	JW1-K6179-01	BOLT, SPECIAL 1	4			
3	90183-062A1	NUT, SPRING	5			
4	2HC-F7286-00	COVER, DUST	1			
5	90269-07805	RIVET	10			
6	2HC-F7421-00	FOOTREST 2	1			
7	JW1-K6179-01	BOLT, SPECIAL 1	4			
8	90183-062A1	NUT, SPRING	4			
9	90269-07805	RIVET	1			
10	2HC-F7854-00	COVER, PEDAL	1			
11	90119-06226	BOLT, WITH WASHER	3			
12	90183-062A1	NUT, SPRING	2			

FIG. 45 CARRIER



B5H1110-U450

REF. NO.	PART NO.	DESCRIPTION	BAS5				REMARKS
1	B5H-F4852-01	BOX, CARRIER UNDER	1				
2	90119-06011	BOLT, WITH WASHER	4				
3	90183-060A6	NUT, SPRING	2				
4	B5H-F837R-00	GRILL, AIR INTAKE 2	1				
5	90269-07805	RIVET	1				
6	B5H-F1271-00	STAY, CARRIER	1				
7	90119-06011	BOLT, WITH WASHER	2				
8	B5H-F137H-00	STAY CARRIER 2	1				
9	90119-06011	BOLT, WITH WASHER	2				
10	B5H-F4841-01	CARRIER, FRONT	1				
11	B5H-F8426-00	BRACKET 1	1				
12	90269-07805	RIVET	2				
13	90119-06011	BOLT, WITH WASHER	8				
14	90183-060A6	NUT, SPRING	4				
15	B5H-F1235-00	PANEL, FRAME RR.	1				
16	B5H-F832T-00	STAY, SUPPORT 2	1				
17	90183-060A6	NUT, SPRING	2				
18	90119-06011	BOLT, WITH WASHER	4				

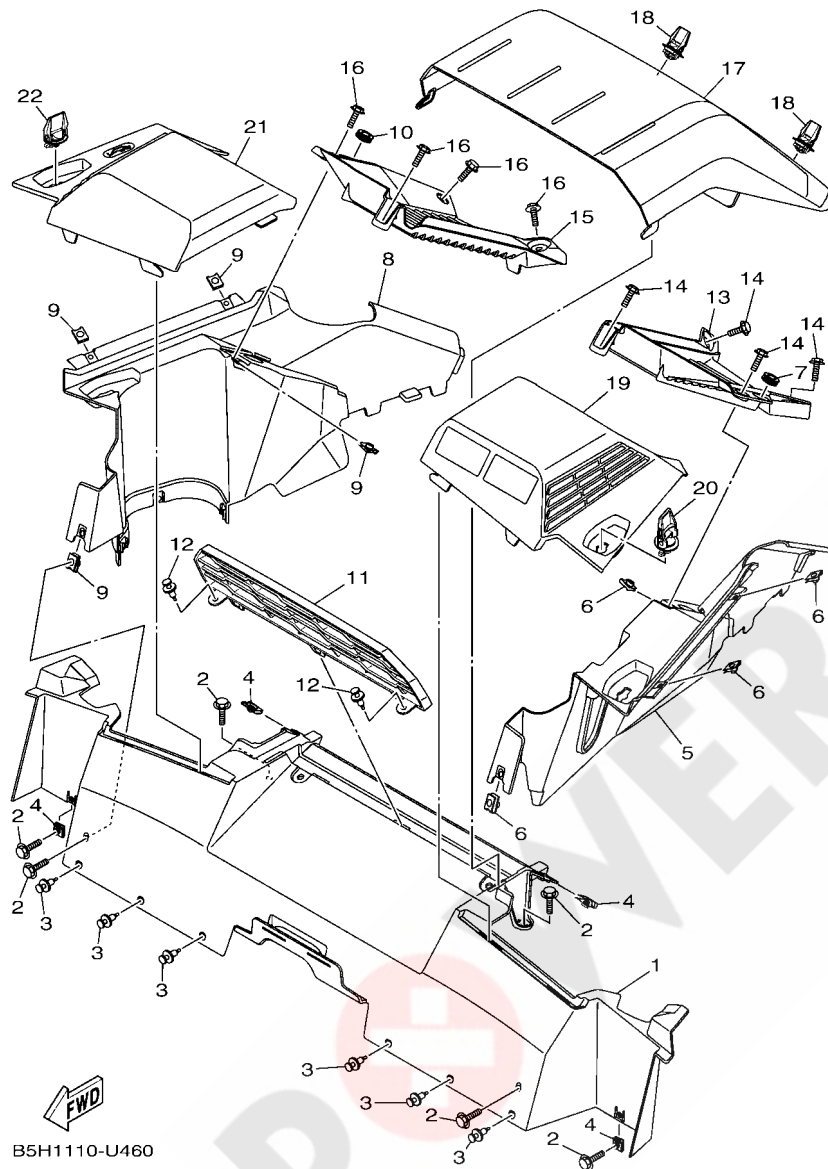
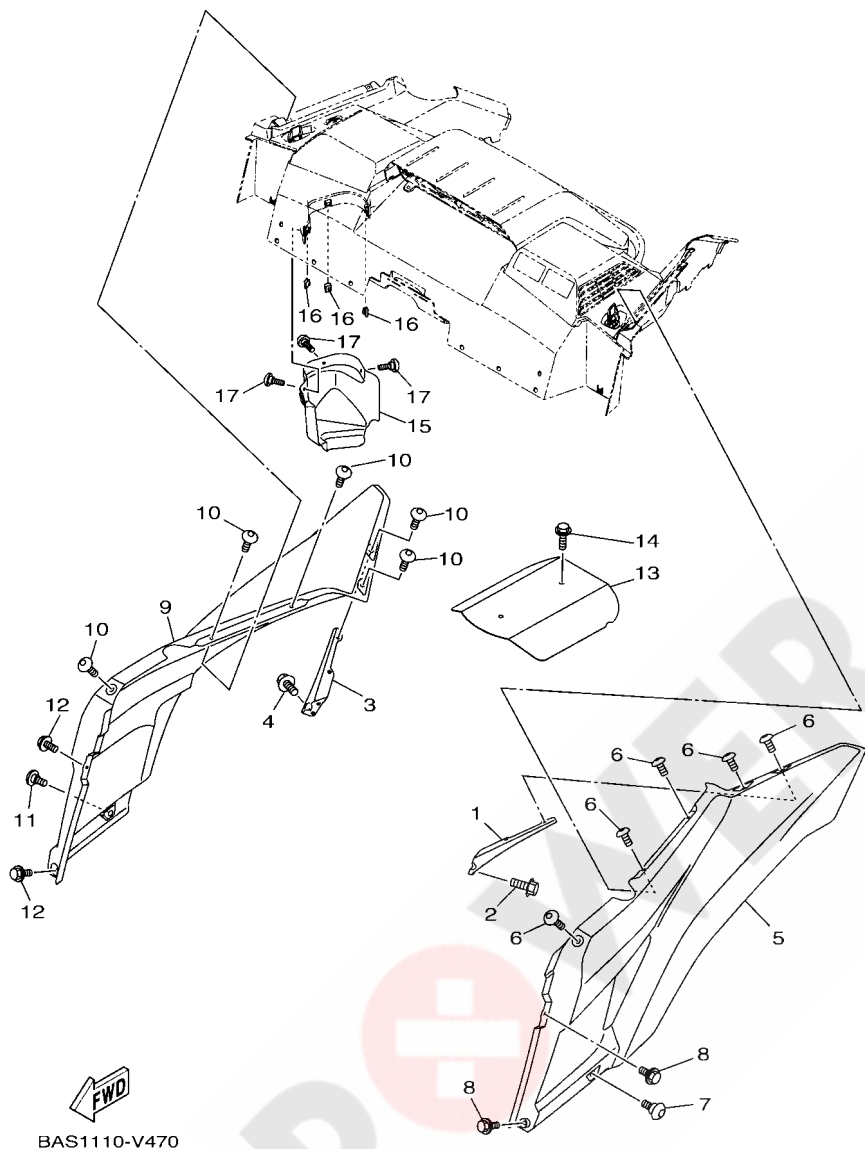


FIG. 46 CARRIER 2

REF. NO.	PART NO.	DESCRIPTION	BAS5			REMARKS
1	B5H-F286N-00	COVER, REAR	1			
2	90119-06011	BOLT, WITH WASHER	6			
3	90269-07805	RIVET	6			
4	90183-060A6	NUT, SPRING	4			
5	B5H-F84AX-00	COVER, SIDE 1	1			
6	90183-060A6	NUT, SPRING	4			
7	90480-01558	GROMMET	1			
8	B5H-F84AY-00	COVER, SIDE 2	1			
9	90183-060A6	NUT, SPRING	4			
10	90480-01558	GROMMET	1			
11	B5H-F837N-00	GRILL, AIR INTAKE 1	1			
12	90269-07805	RIVET	2			
13	B5H-F843J-00	COVER 3	1			
14	90119-06011	BOLT, WITH WASHER	4			
15	B5H-F844J-00	COVER 4	1			
16	90119-06011	BOLT, WITH WASHER	4			
17	B5H-F172W-11	COVER	1			
18	1XD-2175K-10	LEVER, LOCK	2			
19	B5H-F8219-00	COVER 1	1			
20	1XD-2175K-10	LEVER, LOCK	1			
21	B5H-F8229-00	COVER 2	1			
22	1XD-2175K-10	LEVER, LOCK	1			

FIG. 47 CARRIER 3



REF. NO.	PART NO.	DESCRIPTION	BAS				REMARKS
1	2HC-F1643-00	STAY, FENDER 3	1				
2	95812-06012	BOLT, FLANGE	2				
3	2HC-F1644-00	STAY, FENDER 4	1				
4	95812-06012	BOLT, FLANGE	2				
5	2HC-K8193-50	PANEL, REAR FENDER 3	1				
6	90110-06090	BOLT, HEXAGON SOCKET HEAD	5				
7	90109-06061	BOLT	1				
8	90119-06226	BOLT, WITH WASHER	2				
9	2HC-K8194-50	PANEL, REAR FENDER 4	1				
10	90110-06090	BOLT, HEXAGON SOCKET HEAD	5				
11	90109-06061	BOLT	1				
12	90119-06226	BOLT, WITH WASHER	2				
13	B5H-F2898-00	INSULATOR, HEAT	1				
14	95812-08016	BOLT, FLANGE	2				
15	2HC-F842M-01	COVER 1	1				
16	90183-060A6	NUT, SPRING	3				
17	90119-06226	BOLT, WITH WASHER	3				

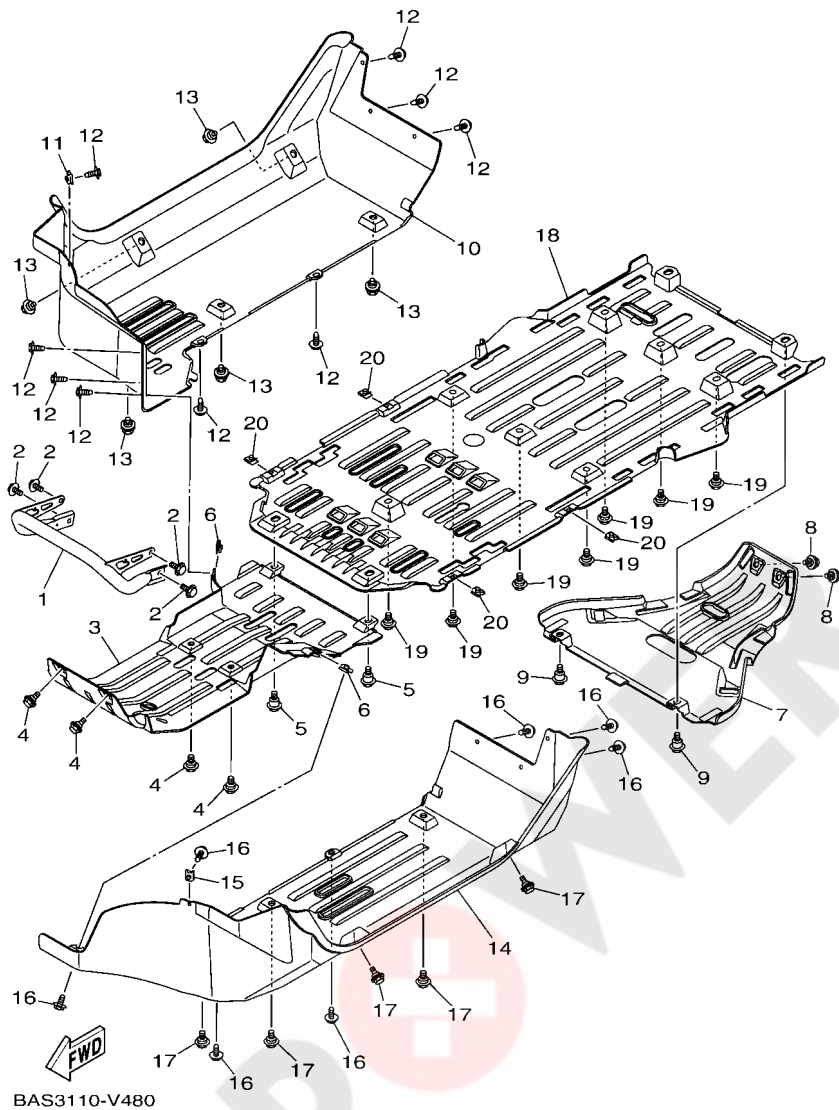
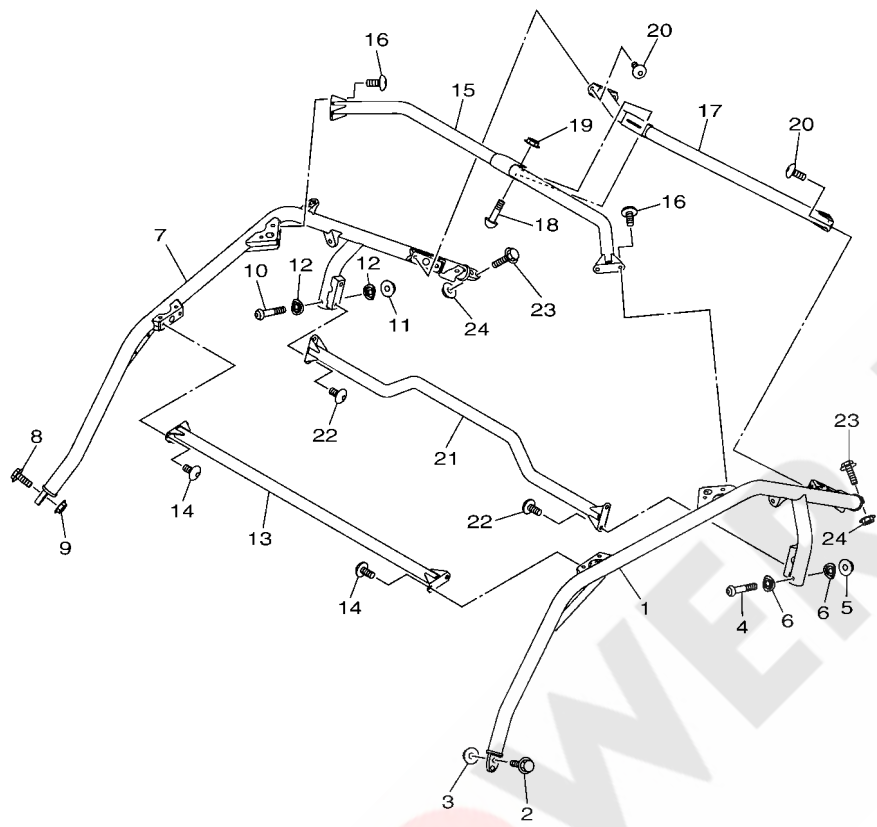


FIG. 48 GUARD

REF. NO.	PART NO.	DESCRIPTION	BAS				REMARKS
1	B5H-F845N-00	BAR, CARRY FRONT	1				
2	95812-10016	BOLT, FLANGE	4				
3	2HC-F8385-00	COVER, UNDER	1				
4	90109-06202	BOLT	4				
5	90109-068A7	BOLT	2				
6	90183-060A6	NUT, SPRING	2				
7	2HC-F2863-00	COVER, UNDER	1				
8	90109-06202	BOLT	2				
9	90109-068A7	BOLT	2				
10	2HC-F2361-00	GUARD 1	1				
11	90183-062A1	NUT, SPRING	1				
12	90119-06226	BOLT, WITH WASHER	9				
13	90109-06202	BOLT	5				
14	2HC-F2362-00	GUARD 2	1				
15	90183-062A1	NUT, SPRING	1				
16	90119-06226	BOLT, WITH WASHER	7				
17	90109-06202	BOLT	5				
18	2HC-F8418-02	GUARD, ENGINE 1	1				
19	90109-06202	BOLT	7				
20	90183-060A6	NUT, SPRING	4				

FIG. 49 GUARD 2

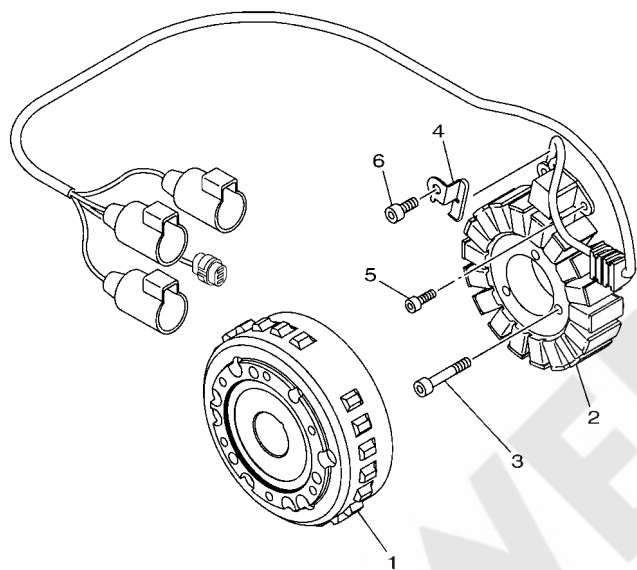



B5H8110-U490

REF. NO.	PART NO.	DESCRIPTION	BAS5				REMARKS
1	B5H-K831A-00	SUPPORT, ROOF 3	1				
2	95817-10045	BOLT, FLANGE	2				
3	90185-10819	NUT, SELF-LOCKING	2				
4	92012-10060	BOLT, BUTTON HEAD	1				
5	90185-10011	NUT, SELF-LOCKING	1				
6	5UG-K7526-00	WASHER 2	2				
7	B5H-K831E-00	SUPPORT, ROOF 4	1				
8	95817-10045	BOLT, FLANGE	2				
9	90185-10819	NUT, SELF-LOCKING	2				
10	92012-10060	BOLT, BUTTON HEAD	1				
11	90185-10011	NUT, SELF-LOCKING	1				
12	5UG-K7526-00	WASHER 2	2				
13	BAS-K8392-00	MEMBER, ROOF FRAME	1				
14	90111-10802	BOLT,HEX. SOCKET BUTTON	4				
15	B5H-K830A-00	ROOF SUPPORT ASSY 1	1				
16	90111-10802	BOLT,HEX. SOCKET BUTTON	4				
17	B5H-K830B-00	ROOF SUPPORT ASSY 2	1				
18	92012-10060	BOLT, BUTTON HEAD	2				
19	90185-10011	NUT, SELF-LOCKING	2				
20	90111-10802	BOLT,HEX. SOCKET BUTTON	4				
21	B5H-K830C-00	ROOF SUPPORT ASSY 3	1				
22	90111-10802	BOLT,HEX. SOCKET BUTTON	4				
23	95817-10045	BOLT, FLANGE	4				
24	90185-10819	NUT, SELF-LOCKING	4				

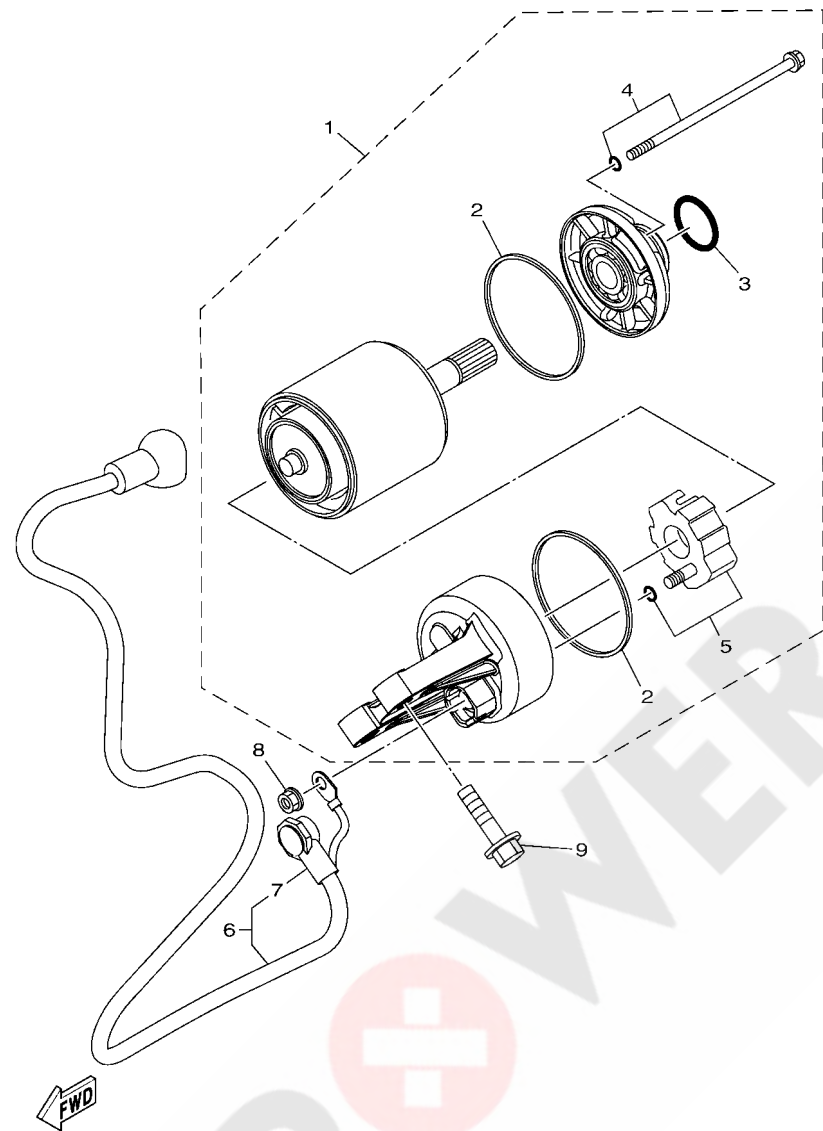
FIG. 50 GENERATOR

REF. NO.	PART NO.	DESCRIPTION	BAS5				REMARKS
1	2HC-81450-00	ROTOR ASSY	1				
2	B5H-81410-00	STATOR ASSY	1				
3	90110-06208	BOLT, HEXAGON SOCKET HEAD	3				
4	2HC-15113-00	PLATE	1				
5	90110-05034	BOLT, HEXAGON SOCKET HEAD	2				
6	90110-06187	BOLT, HEXAGON SOCKET HEAD	1				



B5H1110-U500

FIG. 51 STARTING MOTOR

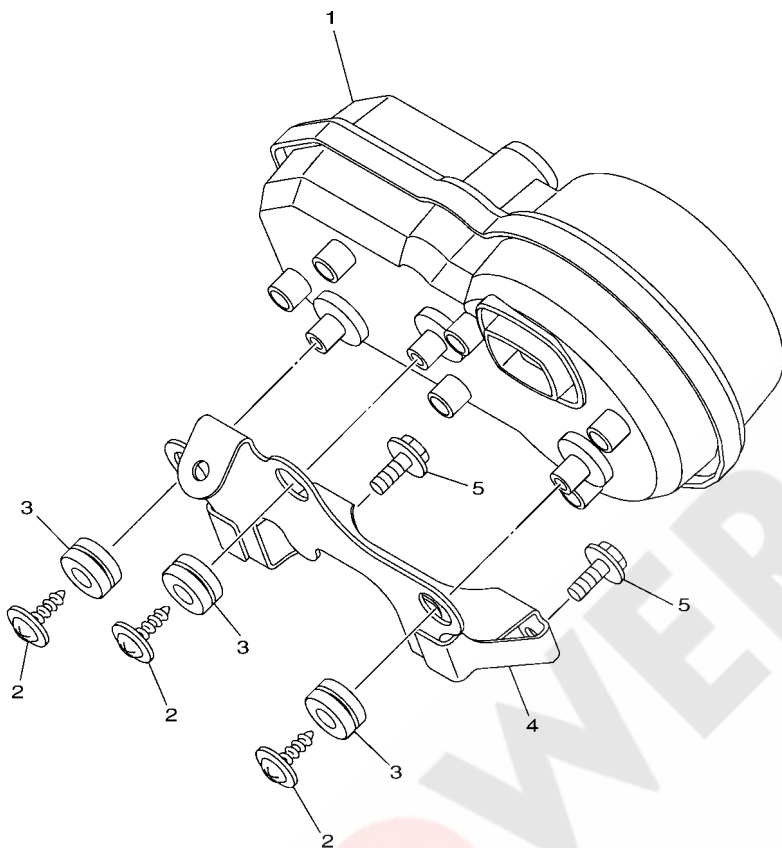


2HC1110-R480

REF. NO.	PART NO.	DESCRIPTION	BAS5				REMARKS
1	2HC-81890-00	MOTOR ASSY	1				
2	11H-81844-00	.GASKET	2				
3	1FK-81847-00	.O-RING	1				
4	28P-81826-00	.BOLT	2				
5	4B5-81840-00	.BRUSH HOLDER ASSY	1				
6	2HC-81815-01	CORD, STARTER MOTOR	1				
7	4B5-81871-00	.CAP	1				
8	4XV-8182A-00	NUT	2				
9	95812-08030	BOLT, FLANGE	2				

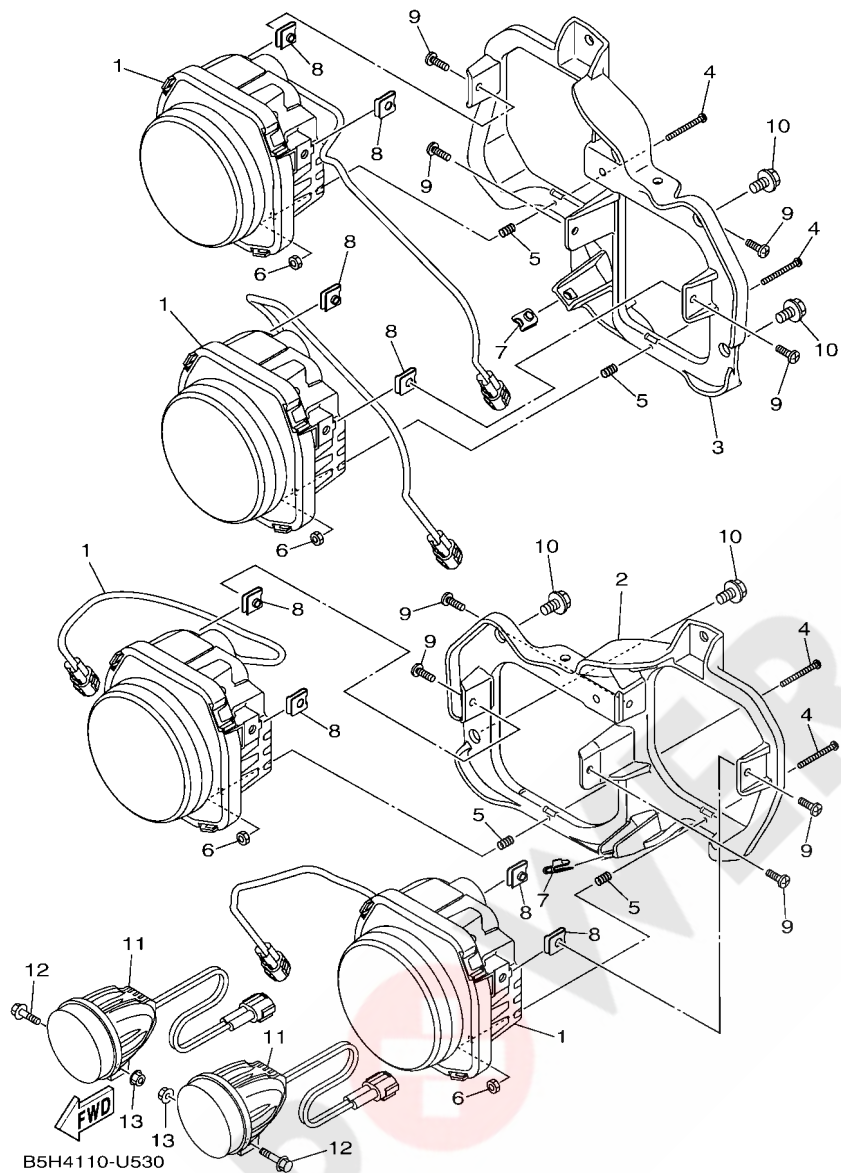
FIG. 52 METER

REF. NO.	PART NO.	DESCRIPTION	BAS5					REMARKS
1	B5H-H3500-00	METER ASSY	1					
2	90164-05014	SCREW, TAPPING	3					
3	90480-14052	GROMMET	3					
4	2HC-H3519-00	BRACKET, METER	1					
5	95812-06016	BOLT, FLANGE	2					



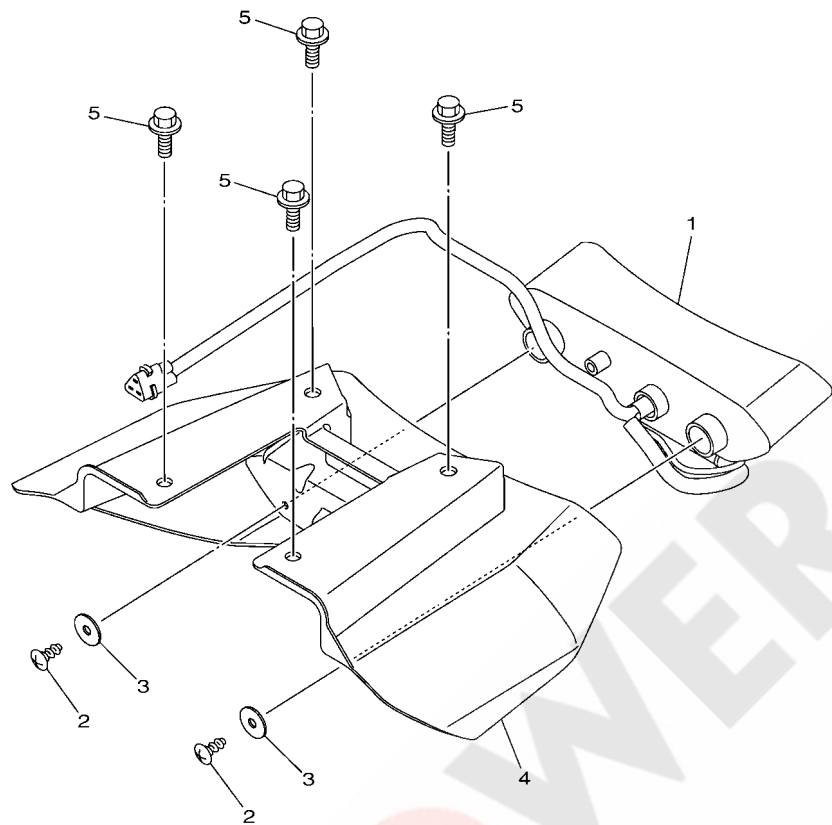
2HC1110-R490

FIG. 53 HEADLIGHT



REF. NO.	PART NO.	DESCRIPTION	BAS	REMARKS
1	2UD-84300-00	HEADLIGHT ASSY	4	
2	2HC-F831V-00	STAY, HEAD LIGHT 1	1	
3	2HC-F832V-00	STAY, HEAD LIGHT 2	1	
4	98502-03530	SCREW, PAN HEAD	4	
5	90501-08614	SPRING, COMPRESSION	4	
6	2GU-84334-00	NUT, ADJUSTING	4	
7	90183-060A6	NUT, SPRING	2	
8	90183-05008	NUT, SPRING	8	
9	98902-05016	SCREW, BIND	8	
10	95812-08016	BOLT, FLANGE	4	
11	B5H-H4101-01	PILOT LIGHT ASSY	2	
12	95812-06040	BOLT, FLANGE	2	
13	95602-06200	NUT, SELF-LOCKING	2	

FIG. 54 TAILLIGHT



REF. NO.	PART NO.	DESCRIPTION	BAS				REMARKS
1	BAS-84710-01	TAILLIGHT UNIT ASSY	1				
2	97707-50016	SCREW, TRUSS HEAD TAPPING	2				
3	90201-05033	WASHER, PLATE	2				
4	2HC-F172X-00	COVER, TAILLIGHT	1				
5	JW1-K6179-01	BOLT, SPECIAL 1	4				


 2HC1110-R510

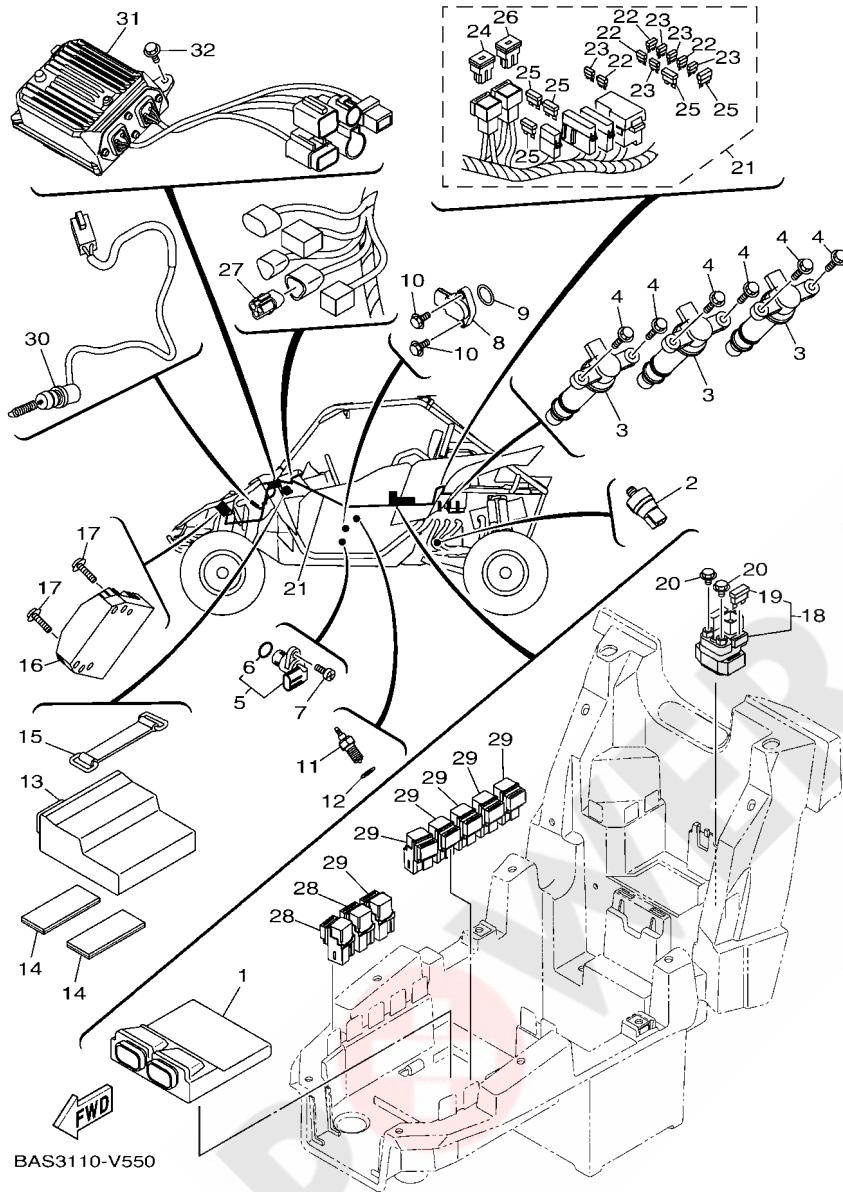


FIG. 55 ELECTRICAL 1

REF. NO.	PART NO.	DESCRIPTION	BAS			REMARKS
1	B5H-8591A-10	ENGINE CONTROL UNIT ASSY	1			
2	8FP-82504-00	OIL PRESSURE SWITCH ASSY	1			
3	2HC-82310-00	IGNITION COIL ASSY	3			
4	95812-06025	BOLT, FLANGE	6			
5	1TP-83755-00	SENSOR, SPEED	1			
6	4D9-81168-00	.O-RING	1			
7	90110-06193	BOLT, HEXAGON SOCKET HEAD	1			
8	2HC-85899-10	SENSOR, GEAR POSITION	1			
9	93210-17008	O-RING	1			
10	90110-05067	BOLT, HEXAGON SOCKET HEAD	2			
11	3GB-82540-01	NEUTRAL SWITCH ASSY	1			
12	90430-10148	GASKET	1			
13	B5H-86510-00	MOTOR CONTROL UNIT ASSY	1			
14	34D-82176-00	DAMPER	2			
15	2T4-82131-00	BAND, BATTERY	1			
16	B5H-81960-00	RECTIFIER & REGULATOR ASSY	1			
17	90105-06833	BOLT, FLANGE	2			
18	4D3-81940-00	STARTER RELAY ASSY (RC19-077A)	1			
19	36Y-82151-00	.FUSE (15A-BLUE)	2			
20	95022-06008	BOLT, FLANGE	2			
21	B5H-82590-10	WIRE HARNESS ASSY	1			
22	5JJ-82151-10	.FUSE (15A-BL)	4			
23	5JJ-82151-30	.FUSE (10A-BL)	5			
24	5PS-82151-00	.FUSE (40A)	1			
25	5JJ-82151-60	.FUSE (30A-BL)	5			
26	5JW-82151-10	.FUSE (50A)	1			
27	B5H-82529-00	CONNECTOR	1			

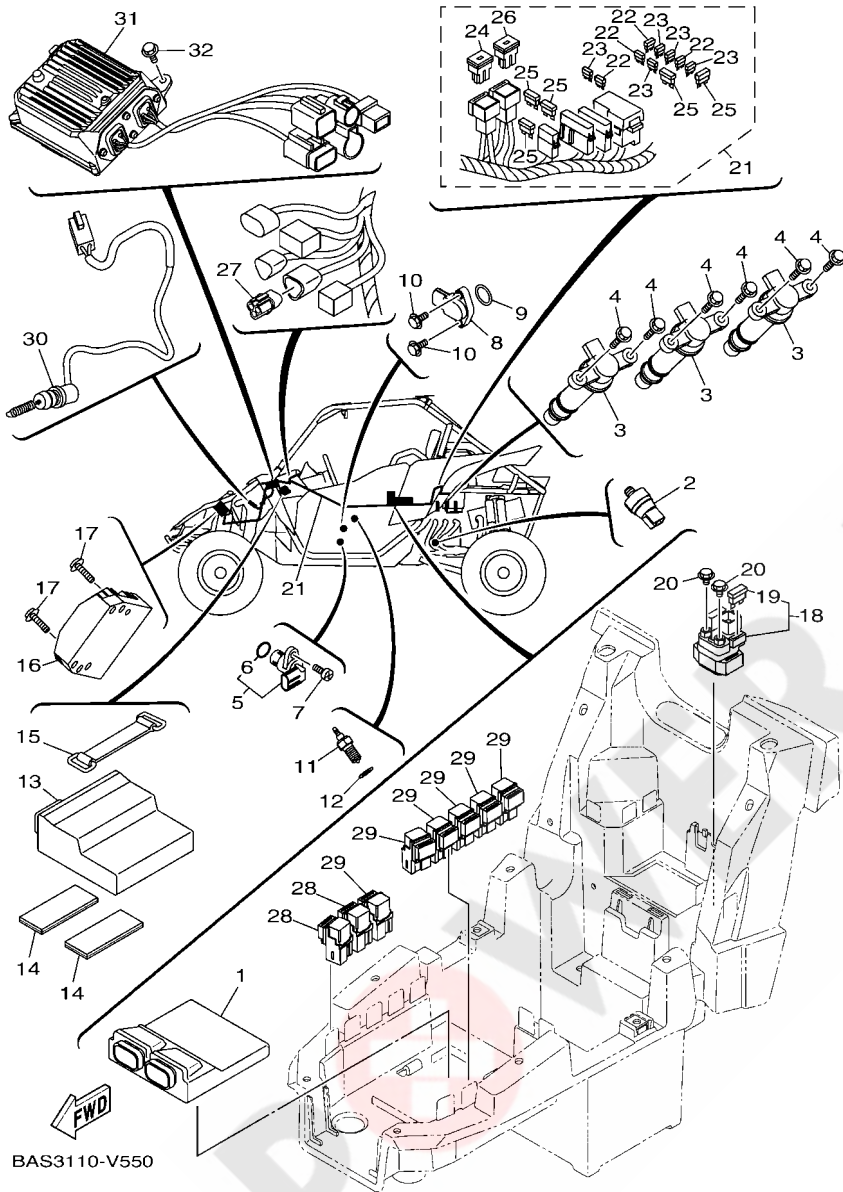
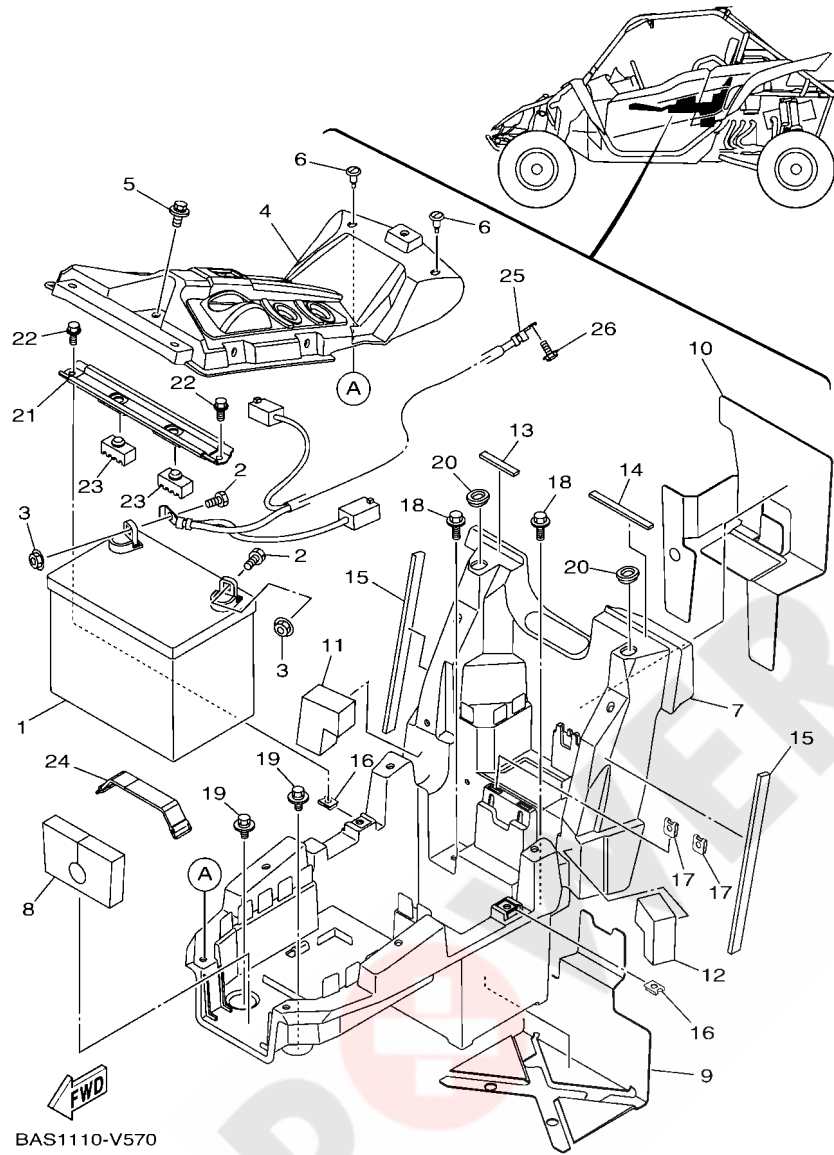


FIG. 55 ELECTRICAL 1

REF. NO.	PART NO.	DESCRIPTION	BAS5	REMARKS
28	5DM-81950-00	RELAY ASSY (G8HN-1C4T-DJ-Y52)	2	
29	8DM-81950-11	RELAY ASSY (8DM-11)	6	
30	B90-82530-00	STOP SWITCH ASSY	1	
31	B5H-859A0-00	POWER STRG. CONT. UNIT ASSY	1	
32	95812-06016	BOLT, FLANGE	1	

FIG. 56 ELECTRICAL 2



REF. NO.	PART NO.	DESCRIPTION	BAS				REMARKS
1	5UG-H2100-10	BATTERY ASSY	1				
2	97080-08020	BOLT	2				
3	90179-08015	NUT	2				
4	B57-H2565-00	PANEL, SWITCH	1				
5	90119-06152	BOLT, WITH WASHER	1				
6	90269-07805	RIVET	2				
7	2HC-H212B-01	BOX, BATTERY 1	1				
8	2HC-8233W-00	INSU.	1				
9	2HC-8253F-00	INSULATOR 2	1				
10	2HC-8254E-00	INSULATOR	1				
11	2HC-2173M-00	SEAL 3	1				
12	2HC-2173N-00	SEAL 4	1				
13	90520-05020	DAMPER, PLATE	1				
14	90520-05021	DAMPER, PLATE	1				
15	90520-05022	DAMPER, PLATE	2				
16	90183-060A6	NUT, SPRING	2				
17	90183-05008	NUT, SPRING	2				
18	90119-06868	BOLT, WITH WASHER	2				
19	90119-06152	BOLT, WITH WASHER	2				
20	90480-01558	GROMMET	2				
21	2HC-H2128-00	BRACKET, BATTERY	1				
22	95022-06014	BOLT, FLANGE	2				
23	3C3-24741-00	PAD, SEAT	2				
24	2T4-82131-00	BAND, BATTERY	1				
25	2HC-82116-01	WIRE, MINUS LEAD	1				
26	95812-06014	BOLT, FLANGE	1				

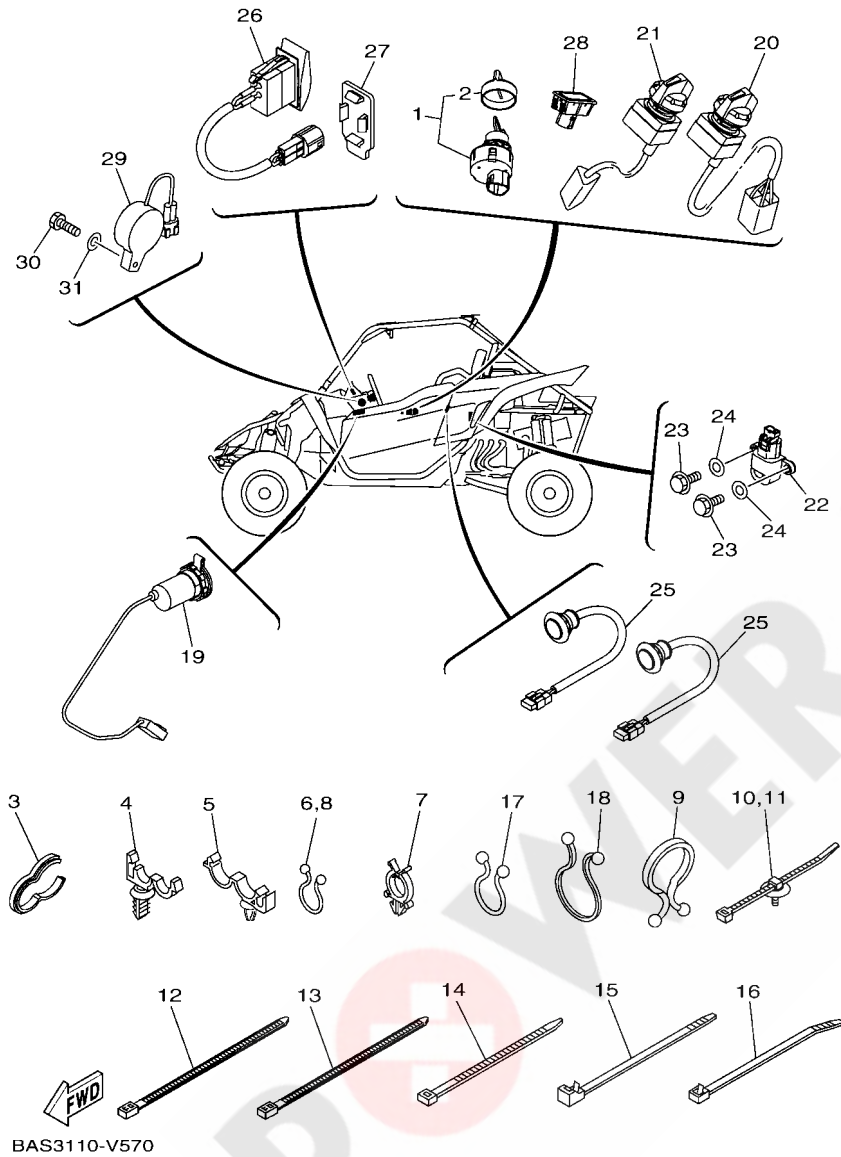
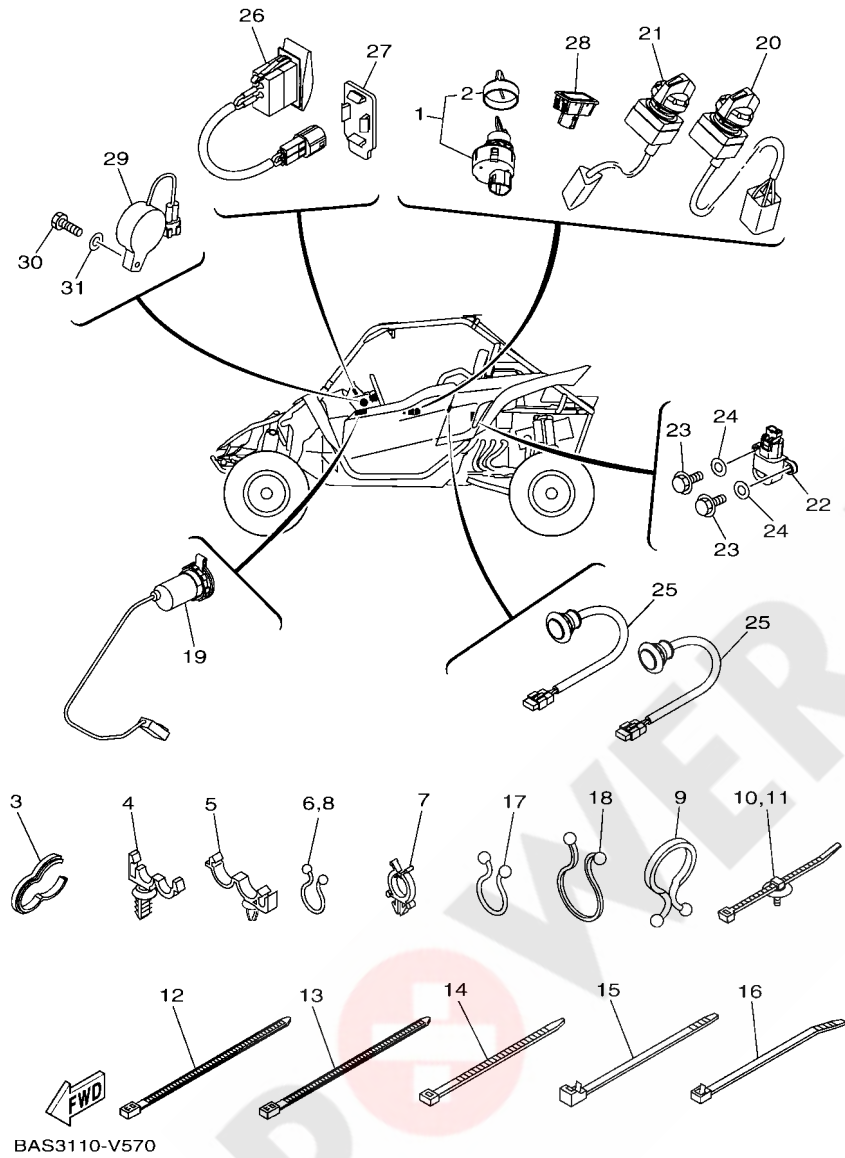


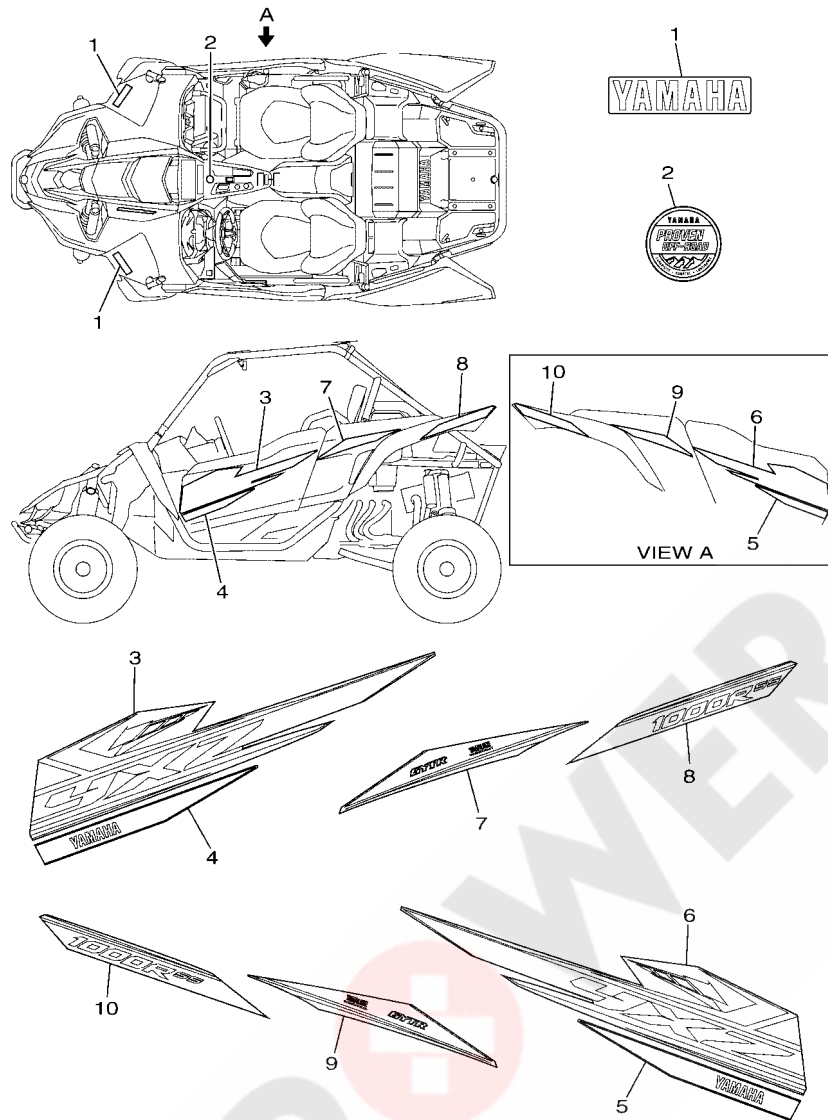
FIG. 57 ELECTRICAL 3

REF. NO.	PART NO.	DESCRIPTION	BAS	REMARKS
1	5UG-H2510-00	MAIN SWITCH ASSY	1	
2	5UG-H2579-00	.CAP, KEY	1	
3	90464-15065	CLAMP	1	
4	90464-12830	CLAMP	23	d: 12mm
5	90464-20010	CLAMP	1	
6	90464-14800	CLAMP	3	
7	90464-25826	CLAMP	3	
8	90464-20804	CLAMP	1	
9	90464-37257	CLAMP	1	
10	5B4-F1338-00	CLAMP	13	
11	1NS-F1338-00	CLAMP	8	
12	90464-31827	CLAMP	1	122X4.80
13	90464-40825	CLAMP	4	
14	90464-48800	CLAMP	9	
15	90464-51800	CLAMP	2	213X7.60
16	90464-76800	CLAMP	5	
17	90464-44109	CLAMP	1	
18	90464-25267	CLAMP	4	
19	1HP-H254B-10	TERMINAL COMP.	1	
20	2HC-82526-00	SWITCH, LIGHT	1	
21	2HC-87280-00	SWITCH, SELECT	1	
22	3B4-82576-10	SENSOR, LEAN ANGLE	1	
23	97002-05016	BOLT	2	
24	92902-05600	WASHER, PLATE	2	
25	2HC-H5440-00	ROOM LIGHT ASSY	2	
26	BAS-H2917-00	SWITCH	1	
27	BG4-F312G-00	PLUG, HOLE	1	

FIG. 57 ELECTRICAL 3



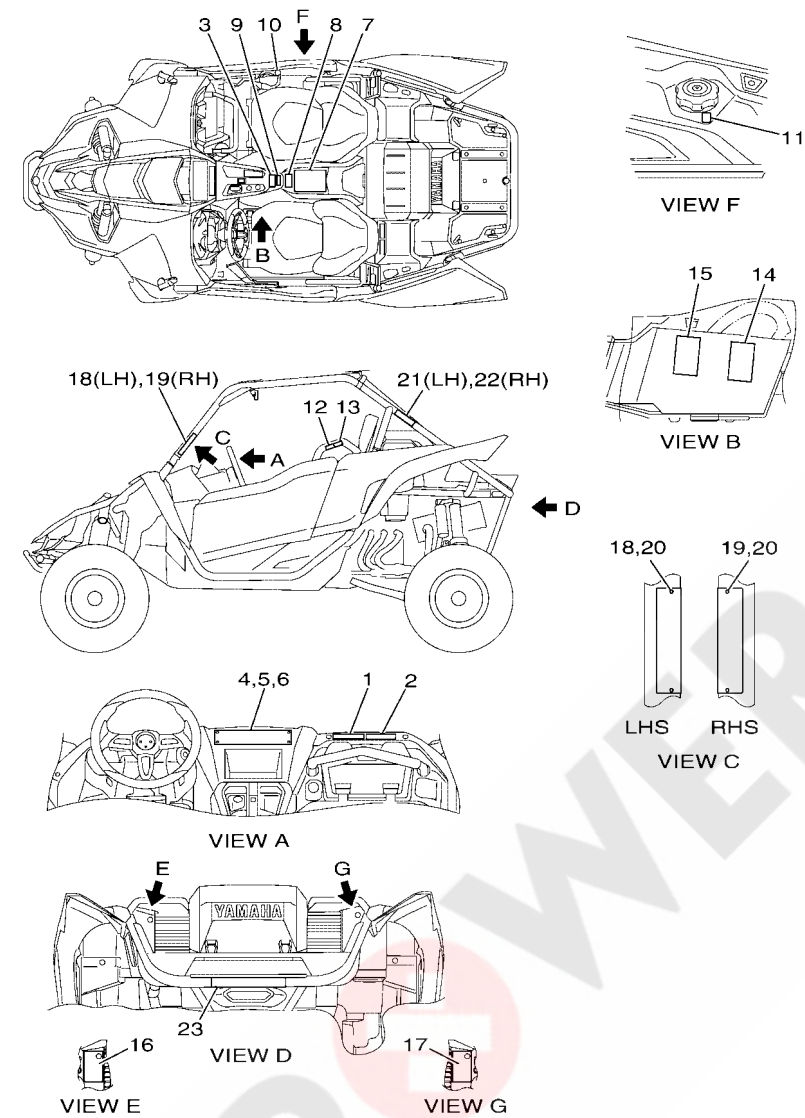
REF. NO.	PART NO.	DESCRIPTION	BAS				REMARKS
28	1XD-H3530-00	PILOT LIGHT ASSY	1				
29	2MB-83383-00	BUZZER	1				
30	97002-05020	BOLT	1				
31	92902-05600	WASHER, PLATE	1				



BAS5300-V580

FIG. 58 GRAPHICS

REF. NO.	PART NO.	DESCRIPTION	BAS	REMARKS
1	2HC-F153E-20	EMBLEM, YAMAHA	2	
2	BAS-F1578-00	EMBLEM	1	
3	BAS-F1781-10	EMBLEM 1	1	
4	BAS-F174G-00	GRAPHIC 3	1	
5	BAS-F174H-00	GRAPHIC 4	1	
6	BAS-F1782-10	EMBLEM 2	1	
7	BAS-F1788-10	GRAPHIC	1	
8	BAS-F163G-10	EMBLEM 1	1	
9	BAS-F1789-10	GRAPHIC	1	
10	BAS-F163H-10	EMBLEM 2	1	



B5H3300-U590

FIG. 59 EMBLEM & LABEL 1

REF. NO.	PART NO.	DESCRIPTION	BAS	REMARKS
1	1XD-F8446-00	LABEL, CAUTION	1	ENGLISH
2	1XD-F8446-10	LABEL, CAUTION	1	FRENCH
3	1XD-F1558-10	LABEL, WARNING 2	1	FRENCH
4	2MB-F1568-00	LABEL, WARNING	1	ENGLISH
5	4XE-F1539-10	RIVET	4	
6	4XE-F1549-00	WASHER, FENDER MOLD	4	
7	2MB-F1568-10	LABEL, WARNING	1	FRENCH
8	1XD-F1558-00	LABEL, WARNING 2	1	ENGLISH
9	2HC-F178A-00	LABEL	1	
10	4XE-F415E-10	LABEL, CAUTION	1	
11	B4F-F817K-00	LABEL, FUEL	1	
12	1XD-K8483-00	LABEL WARNING	2	ENGLISH
13	1XD-K8483-10	LABEL WARNING	2	FRENCH
14	BAS-F1696-10	LABEL, CAUTION	1	
15	BAS-F1696-20	LABEL, CAUTION	1	
16	BAS-F4897-00	EMBLEM	1	
17	BAS-F4897-10	EMBLEM	1	
18	5B4-K7761-00	LABEL, WARNING 1	1	ENGLISH
19	5B4-K7762-00	LABEL, WARNING 2	1	ENGLISH
20	90267-32809	RIVET, BLIND	4	
21	1XD-K7761-10	LABEL, WARNING 1	1	FRENCH
22	1XD-K7762-10	LABEL, WARNING 2	1	FRENCH
23	2HC-H5131-01	REFLECTOR, REAR 1	1	

NUMERICAL INDEX

PART NO.	REF. NO.	PART NO.	REF. NO.	PART NO.	REF. NO.	PART NO.	REF. NO.	PART NO.	REF. NO.	PART NO.	REF. NO.
2HC-11101-09	1 - 1	4C8-12153-09	3 - 10	8ES-12459-01	5 - 7	B5H-14419-00	9 - 33	5YU-16321-00	13 - 17	2HC-18101-00	18 - 2
5VY-1111G-00	1 - 32	4C8-12153-10	3 - 10	B5H-12482-00	5 - 29	B5H-1443J-00	9 - 36	2H7-16324-00	13 - 18	B57-18112-00	18 - 12
	1 - 36	1HX-12168-00	3 - 9	8GL-12485-00	5 - 30	B5H-1444J-00	9 - 37	2H7-16325-00	13 - 16	B57-18115-00	18 - 14
2C0-11133-11	1 - 5	1HX-12168-20	3 - 9	8FA-12551-00	5 - 32	B5H-14465-00	9 - 34	1PK-16331-00	13 - 15	5LV-18116-00	18 - 16
8HF-11134-10	1 - 6	1HX-12168-40	3 - 9	2HC-12588-01	5 - 43	B5H-14466-00	9 - 35	36Y-16334-00	13 - 20	5LV-18117-00	18 - 19
2HC-11166-00	1 - 29	1HX-12168-60	3 - 9	2HC-12589-01	5 - 34	8GL-14503-00	9 - 31	36Y-16335-00	13 - 21	1D7-18127-00	18 - 1
2HC-11167-00	8 - 36	1HX-12168-80	3 - 9	2HC-13115-00	11 - 17	8GL-14534-00	9 - 22	132-16346-00	17 - 10	2HC-18140-00	17 - 7
2HC-11181-00	1 - 33	1HX-12168-A0	3 - 9	8ES-13115-00	7 - 17	5YP-14562-00	9 - 5	2HC-16350-00	13 - 19	2HC-18144-00	17 - 11
2HC-11191-00	1 - 17	1HX-12168-F0	3 - 9	137-13115-01	15 - 2	2HC-14602-00	10 - 1	1TX-16352-00	13 - 22	4XV-18544-00	18 - 17
2HC-11193-00	1 - 19	1HX-12168-H1	3 - 9	8ES-13284-00	7 - 2	4FM-14613-00	10 - 2	4KG-16356-00	13 - 31	4NX-18175-00	17 - 9
214-11198-01	27 - 33	1HX-12168-K1	3 - 9	8GL-13300-00	7 - 1	1SL-14714-00	10 - 8	2HC-16357-00	13 - 34	B57-18300-10	18 - 22
2HC-11400-00	2 - 1	1HX-12168-M1	3 - 9	2HC-13324-00	13 - 2	1SL-14715-00	10 - 9	B57-16371-00	13 - 12	2HC-18473-00	14 - 36
2HC-11406-00	2 - 14	1HX-12168-R1	3 - 9	8GL-13406-00	24 - 4	2HC-14755-00	10 - 6	2HC-16381-00	13 - 36	2HC-18511-00	17 - 3
2HC-11407-00	2 - 24	1HX-12168-U1	3 - 9	2HC-13411-00	15 - 25	2HC-1475P-00	10 - 13	3P6-16383-00	13 - 14	B57-18511-00	17 - 2
3LD-11416-10	2 - 6	1HX-12168-W1	3 - 9	2HC-13414-00	7 - 27	2HC-14780-09	10 - 5	2D2-16384-00	13 - 13	2HC-18512-00	17 - 4
3LD-11416-20	2 - 6	1HX-12168-Y1	3 - 9	2HC-13417-00	7 - 25	B5H-14799-00	10 - 11	2HC-16587-00	13 - 24	3D8-18531-00	17 - 5
3LD-11416-30	2 - 6	1HX-12169-11	3 - 9	5GH-13440-61	7 - 24	5VY-1482K-00	1 - 20	2HC-16775-00	2 - 16	3D8-18535-00	17 - 6
3LD-11416-40	2 - 6	1HX-12169-31	3 - 9	2HC-13470-00	7 - 32	5JW-1482K-01	1 - 23	2HC-17111-10	14 - 11	B57-18540-01	17 - 1
3LD-11416-50	2 - 6	1HX-12169-50	3 - 9	2HC-13473-00	7 - 33	2HC-14840-00	10 - 18	2HC-17121-00	14 - 6	2HC-2131P-00	15 - 33
3LD-11416-60	2 - 6	1HX-12169-70	3 - 9	18P-13543-00	9 - 17	2HC-14889-00	1 - 25	2HC-17141-00	14 - 3	2HC-2147J-00	15 - 29
3LD-11416-70	2 - 6	1HX-12169-90	3 - 9	2HC-13545-00	9 - 28	5JW-14890-00	1 - 24	2HC-17151-00	14 - 8	2HC-2147K-00	15 - 31
8ES-11428-01	2 - 31	1HX-12169-E0	3 - 9	8FP-13556-10	9 - 2	5SL-14890-00	1 - 21	2HC-17211-10	14 - 19	2HC-2173M-00	56 - 11
8ES-11454-00	2 - 27	1HX-12169-G0	3 - 9	8GL-13571-00	9 - 21	5VY-14899-01	1 - 22	B57-17221-00	14 - 25	2HC-2173N-00	56 - 12
2HC-11464-00	2 - 34	1HX-12169-J0	3 - 9	8GL-13573-00	9 - 20	2HC-15109-08	11 - 1	B57-17231-00	14 - 24	2HC-21751-01	24 - 1
2HC-11465-00	13 - 1	1HX-12169-L0	3 - 9	8HF-13595-00	1 - 11	2HC-15113-00	50 - 4	B57-17241-00	14 - 26	1XD-2175K-10	46 - 18
2HC-11478-00	2 - 15	1HX-12169-N0	3 - 9		1 - 13	8ES-15167-00	11 - 3	2HC-1724A-00	14 - 37		46 - 20
8ES-11478-00	2 - 32	1HX-12169-T0	3 - 9	B5H-13750-00	9 - 1	B5H-15191-00	11 - 27	B57-17251-00	14 - 22		46 - 22
2HC-11530-00	2 - 25	2HC-12170-00	4 - 1	2HC-13761-00	9 - 3	18G-15362-00	15 - 7	2HC-17253-00	14 - 29	1AA-21815-00	6 - 33
2HC-11571-00	2 - 38	2HC-12176-00	4 - 3	8HF-13892-00	9 - 12	3Y1-15363-10	1 - 27	2HC-17411-00	14 - 1	1AA-21874-00	6 - 34
2HC-11603-00	2 - 8	2HC-12180-00	4 - 2	8GL-13893-00	9 - 13	6TA-15370-00	8 - 33	2HC-17421-00	14 - 15	2HC-2254G-00	31 - 2
2HC-11631-00	2 - 7	2HC-12210-00	4 - 6	2HC-13894-00	9 - 9	6TA-15378-00	8 - 34	2HC-17432-00	14 - 34	2HC-23421-00	28 - 18
2HC-11633-00	2 - 9	2C0-12213-00	4 - 7	8GL-13895-00	9 - 14	4JT-15381-01	2 - 28	2HC-17472-00	13 - 48	1XD-23517-00	25 - 5
B0F-11650-00	2 - 2	2HC-12228-00	27 - 25	8ES-13898-00	7 - 21	2HC-15415-00	15 - 23	2HC-17521-00	16 - 14		29 - 11
5JW-11654-00	2 - 3	5BE-12241-00	1 - 18	B16-13907-02	32 - 2	B5H-15421-00	11 - 16	2HC-17523-00	16 - 1		38 - 34
5JW-11656-00	2 - 5	8GL-12251-01	4 - 9	2HC-13930-00	9 - 23	2HC-15453-00	15 - 24	2HC-17524-00	16 - 2		39 - 34
5JW-11656-10	2 - 5	2HC-12252-00	4 - 10	2HC-13971-02	32 - 6	2HC-15461-00	11 - 24	2S3-17527-00	16 - 4	1UY-23517-01	31 - 13
5JW-11656-20	2 - 5	5LP-12411-00	5 - 23	5PW-1410F-00	9 - 10	2HC-15512-00	12 - 2	2HC-17528-00	16 - 3	2HC-23527-01	25 - 13
5JW-11656-30	2 - 5	4NX-12413-00	5 - 24	8A7-14139-00	9 - 30	8FA-15515-00	12 - 1	23P-17529-00	13 - 6		25 - 20
5JW-11656-40	2 - 5	2HC-12417-00	5 - 22	5LP-14147-00	9 - 7	8ES-15521-00	12 - 3		16 - 7	2HC-23528-00	25 - 16
5JW-11656-50	2 - 5	2HC-12420-00	5 - 1	1UY-14155-00	9 - 26	2HC-15541-00	11 - 5	B5H-17541-00	15 - 1		25 - 23
8GL-12111-10	3 - 1	2HC-12422-00	5 - 2	1S3-14161-00	9 - 25	2HC-15590-00	12 - 4	2HC-17542-00	15 - 17	2HC-23549-00	25 - 11
2HC-12113-00	3 - 4	8ES-12427-00	5 - 3	895-14169-00	9 - 29	2HC-16111-00	13 - 5	2HC-17558-00	15 - 34		25 - 18
2HC-12114-00	3 - 5	8ES-12434-00	5 - 15	68V-1416A-00	9 - 4	2HC-16150-00	13 - 10	2HC-17576-00	16 - 19	2HC-23579-00	29 - 2
1RC-12116-00	3 - 3	8ES-12435-00	5 - 14	2C0-14216-00	9 - 16	1D7-16154-00	13 - 11	B5H-17582-00	14 - 31		29 - 5
3D7-12117-00	3 - 6	8ES-12436-00	5 - 19	8CC-14216-10	9 - 18	2HC-16181-00	13 - 28	B5H-17583-00	16 - 5		35 - 25
1WG-12118-00	3 - 7	8ES-12438-00	5 - 4	5UG-14293-00	9 - 6	2HC-16183-00	13 - 25	2HC-17818-00	16 - 24		36 - 25
2HC-12119-00	3 - 8	2HC-1243A-00	5 - 12	5PW-14349-00	9 - 24	2HC-16317-00	13 - 4	2HC-17832-00	16 - 11	2HC-23754-00	25 - 24
8GL-12121-10	3 - 2	8ES-12450-01	5 - 8	8FP-14349-30	9 - 11	2HC-16318-00	13 - 3	2HC-17880-00	15 - 9	B57-2380A-10	31 - 30

NUMERICAL INDEX

PART NO.	REF. NO.	PART NO.	REF. NO.	PART NO.	REF. NO.	PART NO.	REF. NO.	PART NO.	REF. NO.	PART NO.	REF. NO.
B57-2380B-10	31 - 32	16B-25185-00	39 - 15	2HC-25833-00	40 - 22	5B4-25976-10	41 - 16	5GH-46293-00	27 - 19	2GU-84334-00	53 - 6
2HC-23810-01	31 - 1	2HC-2518E-00	35 - 13	5B4-25833-00	41 - 14	5B4-25976-20	41 - 17	2HC-46380-00	16 - 17	BAS-84710-01	54 - 1
2HC-23841-00	30 - 15		36 - 13	B5H-2583T-00	43 - 1	5B4-25977-00	41 - 26	2HC-46470-10	27 - 6	2HC-85720-00	24 - 2
2HC-23845-00	25 - 14	2HC-2518F-00	35 - 8	5UG-25852-00	43 - 7	5B4-25978-00	41 - 12	5KM-46559-00	26 - 35	5YP-85790-00	5 - 26
	25 - 21		36 - 8	3XP-25852-50	42 - 20	2HC-259A2-00	38 - 22	4D9-81168-00	55 - 6	3B4-85885-00	9 - 19
2HC-23849-00	31 - 4	2HC-2530T-12	38 - 10	2VN-25854-00	42 - 21		39 - 22	B5H-81410-00	50 - 2	8FP-85886-00	8 - 23
16B-2385L-10	29 - 29		39 - 10	5UG-25854-00	43 - 8	2HC-26293-00	38 - 19	2HC-81450-00	50 - 1	2HC-85899-10	55 - 8
16B-2385M-10	29 - 30	BG4-2530V-00	38 - 11	2VN-25855-00	42 - 22		39 - 19	2HC-81677-00	43 - 19	B5H-8591A-10	55 - 1
8GN-2386E-00	29 - 28		39 - 11	5UG-25855-00	43 - 9	2HC-26311-12	42 - 14		43 - 31	B5H-859A0-00	55 - 31
2HC-238B0-01	31 - 3	2HC-2530X-12	38 - 12	5B4-2585F-00	41 - 27	2HC-26341-01	42 - 31	2HC-81815-01	51 - 6	BG4-86120-00	9 - 43
69J-2417H-00	9 - 8		39 - 12	3B4-25876-10	43 - 22	2HC-26397-12	38 - 20	28P-81826-00	51 - 4	B5H-86510-00	55 - 13
BG4-24362-00	32 - 61	2HC-2530Y-00	38 - 13		43 - 36		39 - 20	4XV-8182A-00	51 - 8	2HC-87280-00	57 - 21
67F-24377-00	8 - 37		39 - 13	5UG-25877-00	43 - 4	B57-26472-00	42 - 18	4B5-81840-00	51 - 5	1CT-E1195-00	26 - 8
28P-24380-00	32 - 37	2HC-2531H-12	38 - 9	5UG-25878-00	43 - 3	4SS-27218-00	43 - 11	11H-81844-00	51 - 2	B5H-E1428-00	26 - 21
3B4-24380-11	32 - 31		39 - 9	5B4-25880-00	41 - 6	2HC-27222-00	43 - 12	1FK-81847-00	51 - 3	B5H-E1429-00	26 - 28
3B4-24398-00	32 - 32	16B-2536E-00	38 - 16	5UG-25880-00	43 - 10	2HC-43804-00	2 - 40	4B5-81871-00	51 - 7	1XD-E142B-00	26 - 27
1S3-24486-00	32 - 4		39 - 16	JX2-25885-11	43 - 29	2HC-46107-00	16 - 25	2HC-81890-00	51 - 1	1XD-E1614-00	26 - 23
3B4-24491-00	32 - 3	2HC-2536E-00	38 - 14	2HC-25894-00	43 - 5		27 - 26	4D3-81940-00	55 - 18	2HC-E2157-00	26 - 10
2HC-24519-00	43 - 13		39 - 14	5JJ-25894-01	42 - 19	2HC-46108-00	13 - 44	5DM-81950-00	55 - 28	1XD-E2228-00	26 - 2
2P5-24610-00	32 - 15	5B4-25415-00	41 - 8	B57-25895-00	42 - 24	2HC-46114-00	27 - 24	8DM-81950-11	55 - 29	B5H-E2405-00	6 - 23
3C3-24741-00	56 - 23	2HC-25719-00	38 - 18	2HC-2589E-00	43 - 14	3B4-46117-00	27 - 7	B5H-E1960-00	55 - 16	B5H-E2460-02	6 - 20
2HC-2510F-00	35 - 10		39 - 18	1XD-25905-01	41 - 4	3B4-46117-10	27 - 7	2HC-82116-01	56 - 25	1XD-E2462-00	6 - 24
	36 - 10	5UG-25719-00	43 - 6	5B4-25913-00	41 - 10	3B4-46117-20	27 - 7	2T4-82131-00	55 - 15	2HC-E246A-00	20 - 38
2HC-2510G-00	35 - 12	B5H-25802-00	37 - 6	2HC-25917-00	37 - 10	3B4-46117-30	27 - 7		56 - 24	2HC-E246E-00	20 - 41
	36 - 12		37 - 17		37 - 21	2HC-46126-00	26 - 33	36Y-82151-00	55 - 19	B5H-E2483-00	6 - 12
2HC-2510H-00	35 - 11	B5H-25802-10	40 - 6		40 - 10	3B4-46134-00	27 - 11	5PS-82151-00	55 - 24	B5H-E2518-00	6 - 27
	36 - 11		40 - 17		40 - 21	3B4-46135-00	27 - 12	5JJ-82151-10	55 - 22	B5H-E2564-01	6 - 3
2HC-2510J-00	35 - 9	B5H-25803-00	37 - 7	3JD-25917-00	41 - 19	5GT-46136-00	27 - 41	5JW-82151-10	55 - 26	B5H-E2576-01	6 - 7
	36 - 9		37 - 18	5B4-25919-00	41 - 25	B5H-46136-00	26 - 37	5JJ-82151-30	55 - 23	B5H-E2577-02	6 - 9
2HC-2510U-00	35 - 16	3FV-25803-10	40 - 7	2HC-25921-00	40 - 13	2HC-46137-00	26 - 36	5JJ-82151-60	55 - 25	B5H-E2578-01	6 - 1
	36 - 16		40 - 18		40 - 24	5GT-46137-00	27 - 40	34D-82176-00	55 - 14	B5H-E2579-00	6 - 16
2HC-2511G-00	35 - 15	B5H-25805-00	37 - 14	5B4-25924-00	41 - 24	2HC-46141-10	27 - 4	2HC-82310-00	55 - 3	B5H-E2671-00	6 - 22
	36 - 15		37 - 25	2HC-25926-00	37 - 8	3B4-46142-00	27 - 23	2HC-8233W-00	56 - 8	B5H-E2675-00	6 - 21
2HC-2511H-00	35 - 14	5B4-25806-00	41 - 23		37 - 19	4WV-46145-10	27 - 17	1WS-82380-00	9 - 15	1CT-E3275-00	26 - 11
	36 - 14	B5H-25806-00	40 - 14		40 - 8	4S1-46146-01	27 - 5	B57-82450-00	18 - 10	2HC-E3416-00	7 - 9
2HC-2512G-00	35 - 17		40 - 25		40 - 19	2HC-46147-00	13 - 39	B57-82460-00	42 - 8	2HC-E3418-00	7 - 14
	36 - 17	B5H-25808-00	43 - 2	3JD-25926-00	41 - 18	2HC-46160-11	27 - 1	8FP-82504-00	55 - 2	2HC-E3464-00	7 - 7
2HC-2512G-10	38 - 21	B5H-2580T-00	37 - 5	2HC-25926-10	37 - 9	2HC-46161-00	27 - 3	2HC-82526-00	57 - 20		7 - 10
	39 - 21	B5H-2580U-00	37 - 16		37 - 20	1XD-46162-00	27 - 2	B5H-82529-00	55 - 27		7 - 12
2HC-2512H-00	35 - 18	B5H-2580V-00	40 - 5		40 - 9	3B4-46163-00	27 - 14	B90-82530-00	55 - 30		7 - 15
	36 - 18	B5H-2580W-00	40 - 16		40 - 20	3B4-46164-00	27 - 9	2HC-8253F-00	56 - 9	2HC-E3487-00	7 - 35
2HC-2512J-00	38 - 17	5B4-25814-10	41 - 5	1UY-25926-51	41 - 21	3B4-46166-00	27 - 10	3GB-82540-01	55 - 11	2HC-E3499-00	7 - 37
	39 - 17	2HC-25819-00	37 - 13	1UY-25937-51	41 - 20	1HP-4616A-00	27 - 16	2HC-8254E-00	56 - 10	2HC-E4126-00	8 - 9
3B4-2512J-00	35 - 20		37 - 24	1UY-25938-51	41 - 22	B5H-46172-00	26 - 30	3B4-82576-10	57 - 22	2HC-E4411-01	8 - 2
	36 - 20	5B4-2581R-00	41 - 7	5B4-25973-00	41 - 13	2HC-46187-00	2 - 43	B5H-82590-10	55 - 21	2HC-E4412-00	8 - 6
3B4-25182-00	35 - 19	2HC-25833-00	37 - 11	1UY-25973-51	41 - 15		13 - 47	2MB-83383-00	57 - 29	2HC-E4421-00	8 - 3
	36 - 19		37 - 22	5B4-25975-00	41 - 11		16 - 28	1TP-83755-00	55 - 5	2HC-E4422-00	8 - 8
16B-25185-00	38 - 15		40 - 11	5B4-25976-00	41 - 9	5GT-46187-00	27 - 29	2UD-84300-00	53 - 1	2HC-E4429-00	8 - 5

NUMERICAL INDEX

PART NO.	REF. NO.	PART NO.	REF. NO.	PART NO.	REF. NO.	PART NO.	REF. NO.	PART NO.	REF. NO.	PART NO.	REF. NO.
2HC-E4429-00	8 - 11	2HC-F1644-00	47 - 3	2HC-F2211-00	25 - 35	2HC-F3838-02	31 - 19	BAS-F4897-10	59 - 17	B4F-F817K-00	59 - 11
2HC-E4437-01	8 - 1	BAS-F1696-10	59 - 14	2HC-F2221-00	25 - 36	2HC-F3840-00	30 - 17	B5H-F5111-00	35 - 27	1P0-F8186-01	19 - 25
4ST-E443E-00	8 - 20	BAS-F1696-20	59 - 15	1HP-F2259-21	28 - 7	1XD-F3844-00	30 - 3		36 - 27	BAS-F8199-7A	19 - 24
B16-E443E-00	8 - 19	2HC-F16A0-00	23 - 4		29 - 22	2HC-F3855-00	31 - 16		38 - 6	B5H-F8219-00	46 - 19
2HC-E4451-00	8 - 13	2HC-F16B0-00	23 - 23	2HC-F2327-01	21 - 1	BAS-F385L-02	28 - 11		39 - 6	B5H-F8229-00	46 - 21
2HC-E4452-00	8 - 4	2HC-F171A-40	22 - 12	2HC-F2328-01	21 - 6	BAS-F385M-03	28 - 12	2HC-F512A-00	35 - 7	BAS-F8199-00	20 - 13
2HC-E4453-00	8 - 16	B5H-F172W-11	46 - 17	2HC-F2341-00	38 - 40	2HC-F386B-00	29 - 34		36 - 7	2HC-F831V-00	53 - 2
2HC-E4457-01	8 - 7	2HC-F172X-00	54 - 4	2HC-F2342-00	39 - 40	2HC-F386G-01	28 - 15		38 - 25	B5H-F832T-00	45 - 16
2HC-E4458-00	8 - 14	2HC-F1731-00	21 - 19	2HC-F2361-00	48 - 10	2HC-F386H-00	28 - 16		39 - 25	2HC-F832V-00	53 - 3
2HC-E445B-00	8 - 10	2HC-F1736-00	23 - 2	2HC-F2362-00	48 - 14	B57-F3870-00	31 - 10	2HC-F514A-00	35 - 31	2MB-F8378-00	6 - 30
2HC-E4461-00	8 - 17		23 - 21	2HC-F2417-00	33 - 5	1XD-F387F-00	30 - 6		36 - 31		23 - 19
2HC-E4462-00	8 - 18	2HC-F1741-00	21 - 23		33 - 16	1XD-F387G-00	30 - 4	B5H-F5168-02	35 - 1		23 - 38
2HC-E4467-00	8 - 15	2HC-F1742-00	23 - 7	B5H-F247A-00	32 - 39	B57-F387G-00	31 - 25		36 - 1	B5H-F837G-00	20 - 8
2HC-E4476-00	8 - 12		23 - 26	B5H-F247C-00	32 - 46	1XD-F387J-00	30 - 7	B5H-F5185-10	35 - 4	B5H-F837H-00	20 - 9
B5H-E4710-02	10 - 4	2HC-F1745-00	8 - 25	B5H-F247D-00	32 - 52	1XD-F387K-00	30 - 5		36 - 4	2HC-F837L-00	22 - 1
2HC-E4881-00	10 - 16	2HC-F1748-00	23 - 14	B57-F2548-01	42 - 1	2HC-F388D-00	28 - 4		38 - 4	2HC-F837M-00	22 - 6
2HC-E4882-00	10 - 19		23 - 33	2HC-F2805-00	23 - 11	2HC-F388G-00	30 - 2		39 - 4	B5H-F837N-00	46 - 11
1XD-E511B-00	26 - 7	B5H-F174A-00	21 - 27		23 - 30	2HC-F388H-00	30 - 10	B5H-F5307-02	38 - 1	B5H-F837R-00	45 - 4
1CT-E5371-00	26 - 3	BAS-F174G-00	58 - 4	2HC-F2863-00	48 - 7	2HC-F4110-00	32 - 1		39 - 1	2HC-F8385-00	48 - 3
B5H-F110A-00	19 - 5	BAS-F174H-00	58 - 5	B57-F2865-00	31 - 26	2HC-F414H-00	32 - 23	B5H-F530F-00	38 - 26	2HC-F8418-02	48 - 18
BAS-F1110-00	19 - 1	2HC-F174N-00	8 - 26	B5H-F286H-00	19 - 20	4XE-F415E-10	59 - 10	B5H-F532F-00	39 - 26	B5H-F8426-00	45 - 11
B5H-F111B-00	19 - 2	1XD-F175B-01	20 - 28	B5H-F286N-00	46 - 1	7CC-F4170-01	32 - 43	2HC-F534C-00	38 - 38	2HC-F842M-01	47 - 15
B5H-F115C-00	19 - 18		31 - 23	B5H-F2898-00	47 - 13	2HC-F4181-00	32 - 24	2HC-F535C-00	39 - 38	B5H-F843J-00	46 - 13
1XD-F1208-00	30 - 8	2HC-F177B-A0	22 - 19	2HC-F2922-00	28 - 5	2MB-F4182-00	6 - 31	1XD-F5690-01	42 - 28	1XD-F8446-00	59 - 1
B5H-F1235-00	45 - 15	BAS-F1781-10	58 - 3	B5H-F2957-00	32 - 59		32 - 25	1XD-F5711-01	41 - 1	1XD-F8446-10	59 - 2
2HC-F124E-40	22 - 18	BAS-F1782-10	58 - 6	2HC-F2973-00	28 - 2	B5H-F4190-02	32 - 41	B5H-F582T-00	37 - 1	B5H-F844J-00	46 - 15
B5H-F1271-00	45 - 6	BAS-F1788-10	58 - 7	2HC-F2981-00	28 - 3	B5H-F419E-00	32 - 44		37 - 3	B5H-F845N-00	48 - 1
1NS-F1338-00	57 - 11	BAS-F1789-10	58 - 9	1XD-F311F-00	34 - 6	B5H-F41B5-00	32 - 11	B5H-F582V-00	40 - 1	B5H-F8468-00	32 - 29
5B4-F1338-00	42 - 15	2HC-F178A-00	59 - 9	B5H-F3121-10	20 - 18	2HC-F4629-00	28 - 6		40 - 3	2HC-F84A3-00	21 - 11
	57 - 10	2HC-F178J-00	23 - 17	2HC-F3123-00	29 - 25	1XD-F467K-00	34 - 4		43 - 27	2HC-F84A4-00	21 - 15
	19 - 14		23 - 36	BG4-F312G-00	57 - 27	BAS-F4700-10	33 - 2	2HC-F5871-00	43 - 20	B5H-F84AX-00	46 - 5
2HC-F1349-10	19 - 14		30 - 11	2HC-F3133-00	29 - 26		33 - 13	B5H-F5872-10	43 - 32	B5H-F84AY-00	46 - 8
B5H-F137H-00	45 - 8	1XD-F178K-00	23 - 39	1XD-F3165-00	30 - 12	2HC-F470J-00	34 - 1	B5H-F5873-10	43 - 18	B5H-G2134-00	26 - 18
B5H-F139T-00	20 - 2	2HC-F17E0-50	23 - 41	2HC-F338G-00	20 - 45	B5F-F470L-00	34 - 9	2HC-F5882-00	43 - 28	1XD-G2478-00	26 - 12
2HC-F1510-60	20 - 21	2HC-F17F0-50	23 - 6	16B-F3394-01	34 - 11	B5F-F470R-00	34 - 7	2HC-F5883-10	34 - 5	2HC-G4583-00	26 - 16
1XD-F1515-00	20 - 5	2HC-F17N1-00	23 - 25	2HC-F3400-02	30 - 1	B5F-F470R-10	34 - 8	1XD-F5926-00	22 - 16	2HC-G5567-00	26 - 25
1XD-F1516-00	20 - 7		6 - 32	1XD-F3447-00	30 - 13	2PG-F4739-00	33 - 6	2HC-F7211-00	42 - 3	1XD-G5577-00	26 - 26
4XE-F1539-10	59 - 5	B5H-F1871-00	19 - 16	1XD-F3489-00	30 - 9		33 - 17	2HC-F7247-00	23 - 10	2HC-G5677-00	26 - 20
2HC-F153E-20	58 - 1	2HC-F194J-00	26 - 43	B5H-F3501-00	35 - 22	2HC-F473C-00	33 - 3	2HC-F7248-00	23 - 29	B5H-G6101-00	26 - 1
4XE-F1549-00	59 - 6	B5H-F1981-02	20 - 36	B5H-F3502-00	36 - 22	2HC-F473D-00	33 - 14	BAS-F7260-00	33 - 8	2HC-G6109-03	27 - 36
1XD-F1558-00	59 - 8	B5H-F1982-10	25 - 1	2HC-F3505-20	29 - 1	1XD-F4742-00	33 - 4	BAS-F7270-00	33 - 7	2HC-G6126-00	26 - 14
1XD-F1558-10	59 - 3	2HC-F2104-20	25 - 2	2HC-F3506-20	29 - 4		33 - 15	2HC-F7286-00	44 - 4	2HC-G613A-00	26 - 5
2MB-F1568-00	59 - 4	2HC-F2105-20	25 - 10	2HC-F3507-20	29 - 7	2HC-F475X-01	33 - 10	2HC-F7411-00	44 - 1	2HC-G6152-00	26 - 4
2MB-F1568-10	59 - 7	2HC-F2106-40	25 - 17	2HC-F3508-20	29 - 8	BAS-F4790-10	33 - 1	2HC-F7421-00	44 - 6	2HC-G6156-00	26 - 6
BAS-F1578-00	58 - 2	2HC-F2107-40	25 - 31	BAS-F350B-20	29 - 21		33 - 12	2HC-F7854-00	44 - 10	B5H-G61A0-00	26 - 24
2HC-F160F-00	20 - 4	2HC-F2128-10	26 - 22	2HC-F3583-00	29 - 33	B5H-F4841-01	45 - 10	2HC-F7871-00	42 - 10	B5H-G6331-00	26 - 15
BAS-F163G-10	58 - 8	B5H-F2149-00	25 - 33	2HC-F3818-00	31 - 22	B5H-F4852-01	45 - 1	5B4-F8100-00	19 - 22	1CT-G6819-00	26 - 9
BAS-F163H-10	58 - 10	2HC-F219X-00	28 - 1	2HC-F3833-00	30 - 16	BAS-F4897-00	59 - 16	1XD-F811A-00	19 - 23	2HC-G7491-20	28 - 10
2HC-F1643-00	47 - 1	B5H-F220H-20									

NUMERICAL INDEX

PART NO.	REF. NO.	PART NO.	REF. NO.	PART NO.	REF. NO.	PART NO.	REF. NO.	PART NO.	REF. NO.	PART NO.	REF. NO.
1XD-G7531-00	26 - 13	2HC-K8558-01	23 - 20	90105-12099	2 - 23	90111-06086	23 - 12	90119-06226	22 - 10	90183-060A6	20 - 27
2HC-G7579-00	26 - 19	1UY-W0048-50	37 - 12	90105-12100	25 - 26		23 - 31		22 - 13		20 - 44
5UG-H2100-10	56 - 1		37 - 23	90109-06031	7 - 30	90111-06096	35 - 32		25 - 32		21 - 5
2HC-H2128-00	56 - 21		40 - 12	90109-06061	47 - 7		36 - 32		31 - 27		21 - 10
2HC-H212B-01	56 - 7		40 - 23		47 - 11		38 - 39		44 - 11		21 - 12
5UG-H2510-00	57 - 1	90101-10038	10 - 14	90109-06185	11 - 12		39 - 39		47 - 8		21 - 16
5UG-H251S-00	42 - 29		27 - 47	90109-06202	15 - 32	90111-06170	18 - 21		47 - 12		21 - 22
1HP-H254B-10	57 - 19	90101-12050	29 - 12		20 - 15	90111-06181	23 - 40		47 - 17		21 - 26
B57-H2565-00	56 - 4	90105-06027	1 - 10		20 - 40		23 - 42		48 - 12		22 - 15
5UG-H2579-00	57 - 2	90105-06096	16 - 23		20 - 43	90111-06814	20 - 10		48 - 16		45 - 3
BAS-H2917-00	57 - 26	90105-06123	11 - 15		32 - 45	90111-10802	49 - 14	90119-06242	15 - 28		45 - 14
B5H-H3500-00	52 - 1	90105-06187	15 - 35		48 - 4		49 - 16		15 - 30		45 - 17
2HC-H3519-00	52 - 4	90105-06831	43 - 30		48 - 8		49 - 20	90119-06868	6 - 38		46 - 4
1XD-H3530-00	57 - 28	90105-06832	6 - 6		48 - 13		49 - 22		56 - 18		46 - 6
2HC-H3559-01	31 - 28		6 - 15		48 - 17	90111-12002	34 - 13	90119-09004	11 - 6		46 - 9
B5H-H4101-01	53 - 11	90105-06833	43 - 21		48 - 19	90114-12005	35 - 28	90119-09011	11 - 7		47 - 16
2HC-H5131-01	59 - 23		43 - 33	90109-06255	31 - 17		36 - 28	90119-10004	1 - 16		48 - 6
2HC-H5440-00	57 - 25		55 - 17	90109-06293	1 - 35		38 - 7	90149-06298	10 - 12		48 - 20
JW1-K6179-01	19 - 21	90105-07004	4 - 4	90109-06295	4 - 11		39 - 7	90151-06024	2 - 29		53 - 7
	25 - 34	90105-08129	43 - 15	90109-066F0	1 - 31	90116-08087	1 - 4	90159-06021	15 - 27		56 - 16
	25 - 37	90105-08182	18 - 23	90109-068A7	48 - 5	90119-06011	45 - 2	90159-06027	17 - 8	90183-062A1	44 - 3
	44 - 2	90105-08211	42 - 9		48 - 9		45 - 7	90164-04800	20 - 3		44 - 8
	44 - 7	90105-08867	19 - 4	90109-068A8	23 - 15		45 - 9	90164-05014	52 - 2		44 - 12
	54 - 5	90105-088H6	35 - 5		23 - 34		45 - 13	90170-06228	18 - 18		48 - 11
2HC-K7171-00	23 - 3		36 - 5	90109-08253	37 - 2		45 - 18	90171-12001	30 - 20		48 - 15
2HC-K7172-00	23 - 22		38 - 5		37 - 4		46 - 2	90171-14005	29 - 17	90185-10011	27 - 48
5UG-K7526-00	49 - 6		39 - 5		40 - 2		46 - 14		29 - 19		49 - 5
	49 - 12	90105-10176	19 - 12		40 - 4		46 - 16	90176-12800	35 - 6		49 - 11
2HC-K7711-20	20 - 1	90105-10255	27 - 42	90109-08856	23 - 16	90119-06137	42 - 23		36 - 6		49 - 19
5B4-K7761-00	59 - 18	90105-10267	31 - 14		23 - 35		43 - 40		38 - 8	90185-10012	29 - 23
1XD-K7761-10	59 - 21	90105-10283	29 - 24	90110-05034	50 - 5	90119-06152	56 - 5		39 - 8		29 - 32
5B4-K7762-00	59 - 19	90105-10295	41 - 28	90110-05067	55 - 10		56 - 19	90179-08015	56 - 3	90185-10819	49 - 3
1XD-K7762-10	59 - 22	90105-10348	30 - 14	90110-06090	20 - 31	90119-06212	29 - 27	90179-08327	2 - 4		49 - 9
2HC-K8187-60	20 - 30	90105-10405	37 - 15		20 - 34	90119-06226	20 - 11	90179-08410	10 - 3		49 - 24
2HC-K818K-60	20 - 33		37 - 26		20 - 37		20 - 16	90179-16004	16 - 13	90185-12002	19 - 8
2HC-K8193-50	47 - 5		40 - 15		47 - 6		20 - 17		16 - 21		26 - 41
2HC-K8194-50	47 - 9		40 - 26		47 - 10		20 - 19	90179-22010	13 - 30		26 - 45
B5H-K830A-00	49 - 15	90105-12032	2 - 12	90110-06164	7 - 34		20 - 24	90179-24801	35 - 30		27 - 45
B5H-K830B-00	49 - 17	90105-12051	28 - 8	90110-06168	12 - 5		20 - 25		36 - 30	90185-12007	25 - 8
B5H-K830C-00	49 - 21	90105-12066	27 - 44	90110-06175	1 - 26		20 - 39		38 - 24		25 - 27
B5H-K831A-00	49 - 1		38 - 35	90110-06187	50 - 6		20 - 42		39 - 24		25 - 28
B5H-K831E-00	49 - 7		39 - 35	90110-06193	55 - 7		21 - 3	90183-05008	53 - 8		28 - 9
BAS-K8392-00	49 - 13	90105-12082	26 - 44	90110-06208	50 - 3		21 - 8		56 - 17		28 - 14
1XD-K8483-00	59 - 12	90105-12094	13 - 41	90110-06228	41 - 2		21 - 21	90183-06071	20 - 29		29 - 14
1XD-K8483-10	59 - 13	90105-12095	25 - 25	90110-06246	13 - 37		21 - 25		31 - 24		38 - 37
2HC-K8554-00	23 - 13	90105-12097	38 - 36	90110-06310	5 - 42		22 - 2	90183-060A6	20 - 14		39 - 37
	23 - 32		39 - 36	90110-06335	4 - 8		22 - 5		20 - 22	90185-12008	31 - 20
2HC-K8557-01	23 - 1	90105-12098	25 - 6	90110-06390	11 - 29		22 - 7		20 - 23	90201-05033	54 - 3

NUMERICAL INDEX

PART NO.	REF. NO.	PART NO.	REF. NO.	PART NO.	REF. NO.	PART NO.	REF. NO.	PART NO.	REF. NO.	PART NO.	REF. NO.
90201-06102	24 - 10	90214-29002	14 - 16	90381-17067	39 - 29	90450-17001	5 - 31	90464-37257	57 - 9	90480-10003	32 - 62
90201-065G8	32 - 21	90215-10003	2 - 36	90381-18003	25 - 3		5 - 39	90464-40825	57 - 13	90480-14052	52 - 3
90201-083P5	30 - 19	90240-08005	43 - 16		29 - 9	90450-19001	5 - 35	90464-44109	6 - 26	90480-18016	32 - 16
90201-10034	10 - 15	90249-05801	23 - 8	90387-061V1	32 - 20		5 - 44		32 - 58	90480-18277	6 - 29
	27 - 49		23 - 27	90387-06372	18 - 20	90450-22M14	5 - 38		57 - 17	90480-20543	32 - 9
90201-10035	27 - 43	90267-24143	20 - 6	90387-07051	8 - 39		5 - 45	90464-48800	42 - 17	90501-08614	53 - 5
	29 - 31	90267-32809	59 - 20	90387-075H4	32 - 17	90450-35001	5 - 33		57 - 14	90501-20361	26 - 29
90201-10118	42 - 27	90267-489U9	33 - 11	90387-10111	31 - 12		5 - 40	90464-51800	57 - 15	90501-235L9	27 - 39
	43 - 26	90269-07805	20 - 12	90387-10843	42 - 4		6 - 2	90464-76800	57 - 16	90506-23022	42 - 7
	43 - 39		20 - 20	90387-12060	38 - 32		6 - 4	90467-07029	26 - 39		42 - 13
90201-10591	2 - 37		20 - 26		39 - 32		6 - 8		27 - 35	90508-32021	18 - 3
90201-11801	34 - 12		20 - 32	90387-12061	38 - 33		6 - 13	90467-07093	5 - 13	90520-05020	56 - 13
90201-12045	25 - 7		20 - 35		39 - 33		6 - 17	90467-08003	6 - 37	90520-05021	56 - 14
	25 - 29		21 - 4	90387-12062	25 - 4	90450-38040	6 - 10	90467-08075	15 - 13	90520-05022	56 - 15
	25 - 30		21 - 9	90387-12063	29 - 10	90450-56009	8 - 38	90467-09006	32 - 12	90520-20006	21 - 7
	28 - 13		21 - 13	90387-25023	14 - 7	90450-60004	1 - 12		32 - 28	90520-20007	21 - 2
	29 - 13		21 - 14	90387-28003	14 - 2		1 - 14		32 - 34	91312-04006	9 - 41
	30 - 21		21 - 17	90387-28004	14 - 18	90461-12801	6 - 5		32 - 40	91312-06014	11 - 19
90201-121H0	2 - 13		21 - 18	90387-31003	14 - 23		6 - 14		32 - 47	91312-06016	7 - 19
	13 - 40		21 - 20	90401-10015	43 - 25	90462-08225	11 - 26	90467-10041	9 - 39		24 - 6
90201-12575	18 - 8		21 - 24		43 - 38	90464-10833	32 - 13		9 - 42	91312-06025	5 - 18
90201-12790	5 - 27		22 - 3	90401-10172	42 - 26		32 - 35		32 - 48		7 - 28
90201-127E1	18 - 5		22 - 4	90401-20008	7 - 23	90464-12045	6 - 11		32 - 50		11 - 28
	18 - 6		22 - 8	90413-06031	9 - 38	90464-12830	6 - 25		32 - 53	91312-06040	5 - 17
90201-14021	27 - 15		22 - 9		32 - 26		6 - 39		32 - 56	91312-06065	1 - 34
90201-15018	42 - 11		22 - 11	90413-08012	32 - 51		6 - 41	90467-100A1	1 - 30	91312-08020	2 - 39
90201-165H4	16 - 12		22 - 14	90430-06014	5 - 37		42 - 16	90467-110A3	8 - 22		2 - 45
	16 - 20		22 - 17		6 - 19		57 - 4		8 - 32	91312-08025	30 - 18
90201-17257	14 - 38		22 - 20		15 - 6	90464-12M48	32 - 14		18 - 26	91317-06035	7 - 29
90201-20266	27 - 38		31 - 29		15 - 22	90464-14004	32 - 7	90467-11106	9 - 32	91402-20020	30 - 22
90201-22013	13 - 26		44 - 5	90430-06192	7 - 31	90464-14800	6 - 40	90467-12191	42 - 25		43 - 17
90201-23016	26 - 32		44 - 9	90430-08119	1 - 3		57 - 6	90467-13M13	8 - 31	91402-30025	29 - 18
90201-25023	35 - 29		45 - 5	90430-08204	24 - 8	90464-14M55	32 - 54	90467-140A4	8 - 29		29 - 20
	36 - 29		45 - 12	90430-10003	27 - 20		32 - 57	90467-150A2	9 - 27	91808-16023	1 - 8
	38 - 23		46 - 3	90430-10148	15 - 4	90464-15007	32 - 8	90467-17089	10 - 17		1 - 9
	39 - 23		46 - 12		55 - 12	90464-15065	57 - 3		10 - 20	91808-22019	7 - 6
90201-25290	14 - 27		56 - 6	90430-12213	15 - 19	90464-16012	43 - 34	90467-180A1	8 - 30	92012-06012	38 - 41
90201-27014	16 - 6	90280-03045	2 - 11	90445-07047	27 - 34	90464-18011	43 - 24	90467-20086	10 - 21		39 - 41
90201-30013	12 - 6	90340-10001	27 - 18	90445-074F6	26 - 38	90464-19815	43 - 35	90467-22097	7 - 8	92012-08012	23 - 18
90201-30666	38 - 31	90340-10003	15 - 3	90445-08036	6 - 36	90464-20010	32 - 10		7 - 11		23 - 37
	39 - 31	90340-12006	15 - 18	90445-08040	15 - 11		57 - 5		7 - 13	92012-08025	18 - 11
90201-51013	14 - 12	90340-14016	11 - 22	90445-08049	15 - 12	90464-20025	9 - 40		7 - 16	92012-08030	31 - 8
90208-22003	13 - 29	90340-14029	27 - 32	90445-08840	6 - 35	90464-20804	57 - 8		8 - 28	92012-10060	49 - 4
90209-25011	14 - 4	90340-27129	1 - 7	90445-09028	32 - 27	90464-23041	8 - 27	90467-220A1	8 - 21		49 - 10
90209-28008	14 - 20		11 - 2	90445-09837	32 - 33	90464-25267	57 - 18	90480-01400	32 - 19		49 - 18
90214-25003	14 - 10	90340-36004	11 - 20	90445-11003	18 - 25	90464-25826	57 - 7	90480-01558	46 - 7	92902-05600	57 - 24
90214-25004	14 - 9	90381-15088	31 - 11	90445-11052	32 - 49	90464-31827	57 - 12		46 - 10		57 - 31
90214-28002	14 - 17	90381-17067	38 - 29	90445-11053	32 - 55	90464-37257	32 - 36		56 - 20	92902-08200	18 - 24

NUMERICAL INDEX

PART NO.	REF. NO.	PART NO.	REF. NO.	PART NO.	REF. NO.	PART NO.	REF. NO.	PART NO.	REF. NO.	PART NO.	REF. NO.
92902-12200	19 - 9	93306-37218	16 - 10	94109-14814	36 - 2	95812-06016	7 - 36	97022-06040	34 - 2		
	26 - 42	93306-37817	14 - 13	94111-14808	38 - 2		19 - 19	97080-08020	56 - 2		
	26 - 46	93306-91102	2 - 18		39 - 2		24 - 9	97707-50016	54 - 2		
	27 - 46	93306-97201	31 - 5	94580-25064	7 - 20		52 - 5	97707-50520	8 - 24		
	31 - 21	93310-32590	14 - 28	94591-57140	4 - 5		55 - 32	98502-03530	53 - 4		
93102-10207	5 - 6	93310-33560	13 - 27	94702-00409	1 - 15	95812-06020	2 - 22	98502-06016	5 - 9		
93102-12224	18 - 7	93310-42239	2 - 30	95022-06008	6 - 18		8 - 40	98702-06030	15 - 10		
93102-34095	16 - 18	93399-99948	2 - 41		55 - 20		23 - 5	98902-05016	53 - 9		
93102-35039	13 - 9		13 - 42	95022-06010	15 - 5		23 - 24	99002-04600	23 - 9		
93105-45018	16 - 9		13 - 45	95022-06012	5 - 36	95812-06025	13 - 23		23 - 28		
93105-46001	27 - 13		16 - 26		10 - 7		55 - 4	99002-08600	5 - 11		
93105-57007	2 - 17		16 - 29	95022-06014	56 - 22	95812-06040	7 - 5	99002-10600	18 - 4		
93109-08061	13 - 35		27 - 27	95022-06020	5 - 28		53 - 12		18 - 9		
93210-06632	13 - 32		27 - 30		18 - 13	95812-06055	11 - 13	99009-19400	27 - 37		
93210-14003	11 - 18	93410-17037	14 - 35	95022-06030	15 - 21	95812-06080	11 - 14	99009-22400	26 - 31		
93210-14369	11 - 23	93410-25017	14 - 30		16 - 22	95812-08012	33 - 9		31 - 7		
93210-14579	7 - 4	93410-26067	26 - 34	95022-06045	15 - 14		33 - 18	99009-35500	25 - 12		
93210-16629	7 - 18	93410-42096	29 - 3	95022-06060	15 - 15	95812-08014	29 - 35		25 - 15		
93210-17008	55 - 9		29 - 6	95022-08012	1 - 2	95812-08016	6 - 28		25 - 19		
93210-18322	7 - 3		35 - 26	95022-08035	10 - 10		19 - 3		25 - 22		
93210-19123	1 - 28		36 - 26	95302-06800	32 - 5		42 - 2	99009-40500	31 - 6		
93210-192A6	2 - 44	93420-26077	5 - 21	95304-06700	18 - 15		47 - 14	99009-47500	16 - 16		
93210-207A0	15 - 26	93430-12008	42 - 12	95602-06200	41 - 3		53 - 10	99009-55400	2 - 20		
93210-21190	15 - 8	93440-20088	2 - 42		53 - 13	95812-08020	19 - 10	99009-62500	35 - 24		
93210-22006	24 - 3		13 - 43	95602-10200	19 - 13	95812-08025	19 - 15		36 - 24		
93210-235A1	5 - 41		13 - 46		31 - 15		31 - 9	99009-72500	38 - 30		
93210-24001	24 - 5		16 - 27		42 - 6	95812-08030	51 - 9		39 - 30		
93210-24709	11 - 4		16 - 30	95612-06100	34 - 3	95812-08040	27 - 22	99530-08012	5 - 16		
93210-357A3	11 - 21		27 - 28	95702-06300	31 - 18	95812-08055	11 - 10		7 - 26		
93210-49046	5 - 25		27 - 31	95702-06500	9 - 44		19 - 11		11 - 25		
93210-84724	2 - 19	93440-28184	14 - 5	95802-06012	32 - 30	95812-08070	11 - 11		13 - 38		
93305-00603	38 - 27	93440-31187	14 - 21		32 - 42	95812-10016	19 - 6	99530-08016	15 - 20		
	39 - 27	93450-19095	2 - 10		32 - 60		19 - 17	99530-10014	11 - 8		
93305-00604	35 - 23	93450-22119	35 - 21	95802-06014	32 - 38		26 - 47	99530-10114	11 - 9		
	36 - 23		36 - 21	95802-06030	32 - 18		48 - 2		15 - 16		
93306-00006	5 - 5	93450-32152	2 - 33		32 - 22	95812-10020	28 - 17				
	5 - 20	93511-32017	13 - 33	95802-08012	24 - 7	95812-10090	42 - 5				
93306-00518	16 - 15	93604-16092	5 - 10	95812-06010	31 - 31	95812-12020	34 - 10				
93306-00613	27 - 8	93700-06004	25 - 9		31 - 33	95812-12070	19 - 7				
93306-01005	2 - 21		29 - 15		43 - 23	95812-12130	26 - 40				
93306-20483	13 - 7		38 - 28		43 - 37	95817-10045	49 - 2				
93306-20595	14 - 32		39 - 28	95812-06012	7 - 22		49 - 8				
93306-20607	16 - 8	93700-06009	29 - 16		7 - 38		49 - 23				
93306-30323	2 - 26	93900-00813	35 - 3		42 - 30	95822-08016	8 - 35				
93306-30525	13 - 8		36 - 3		47 - 2	95880-06012	15 - 36				
93306-30574	26 - 17		38 - 3		47 - 4	97002-05016	57 - 23				
93306-30585	14 - 33		39 - 3	95812-06014	27 - 21	97002-05020	57 - 30				
93306-37215	14 - 14	94109-14814	35 - 2		56 - 26	97012-10025	2 - 35				